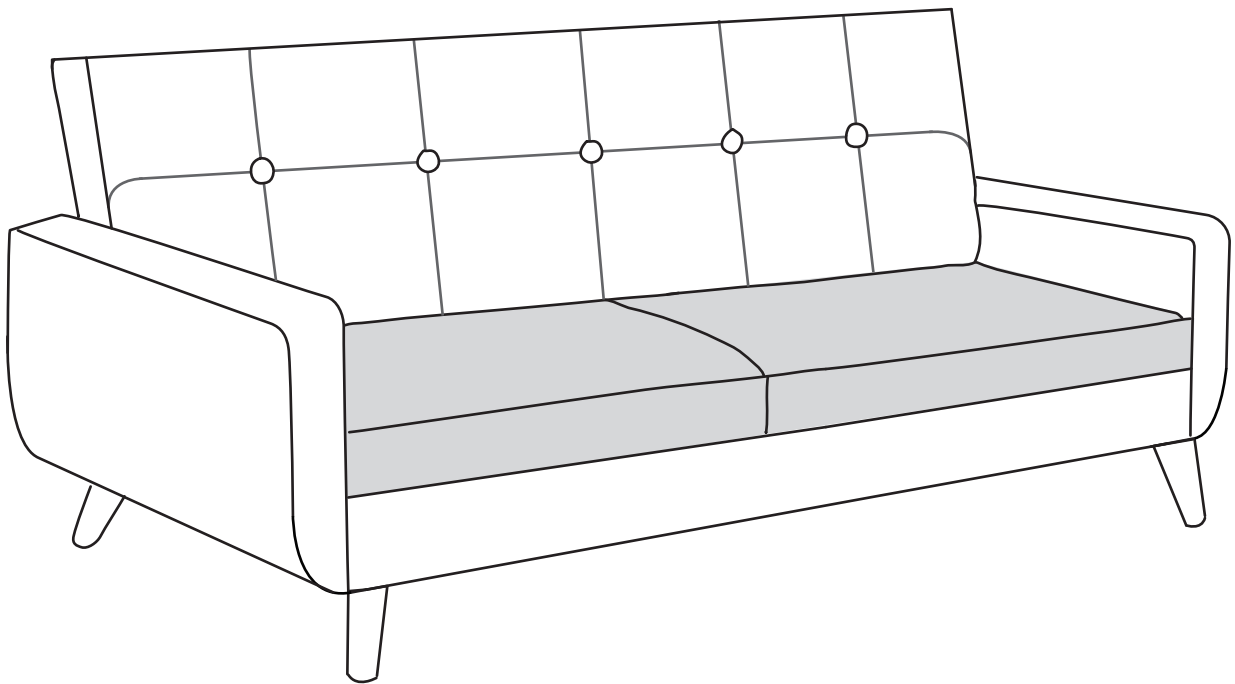
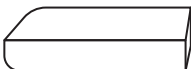

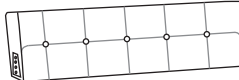
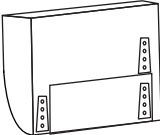
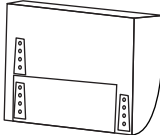
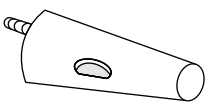

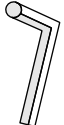


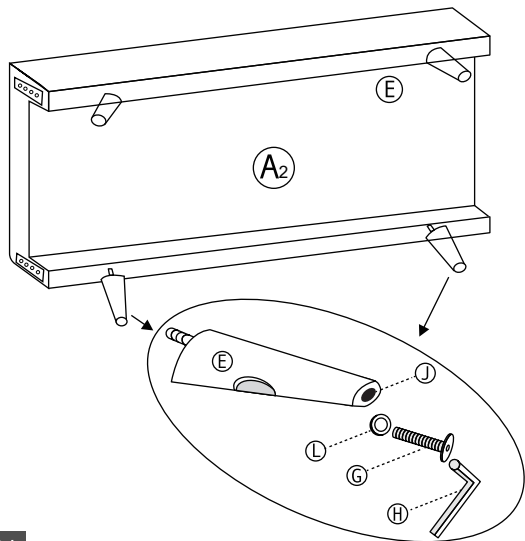


ASSEMBLY INSTRUCTION

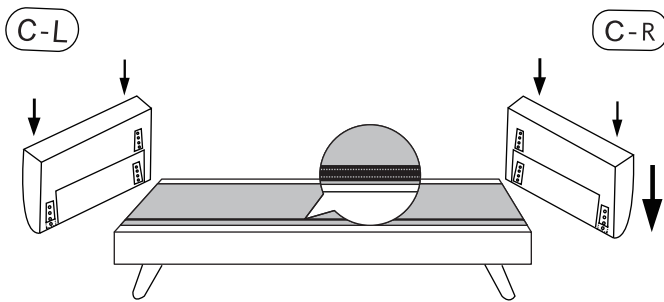


Materials ▾				
				
A1*2	A2*1	B*1	C*1 -LEFT	C*1 -RIGHT
				
E*4	G*4	H*1	L*4	J*4
Part1: A2*1 B*1				
Part2: A1*2 C*1-LEFT C*2-RIGHT E*4 G*4 H*1 L*4 J*4				



STEP1: Use **G** screws to screws the **E** wood legs to the **A2** base frame

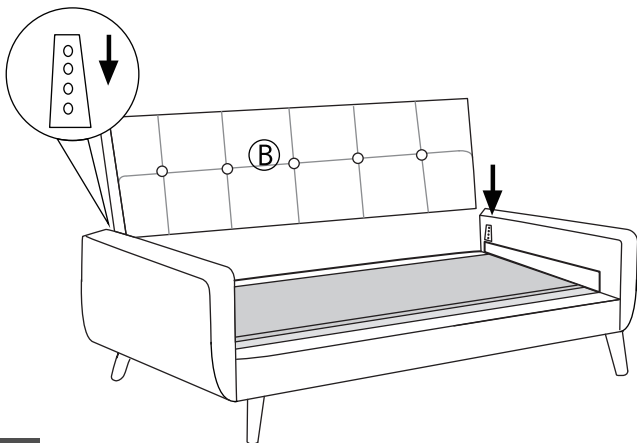
STEP1



STEP2: Armrest **C-LEFT** and **C-RIGHT** are installed on the base metal parts from top to bottom

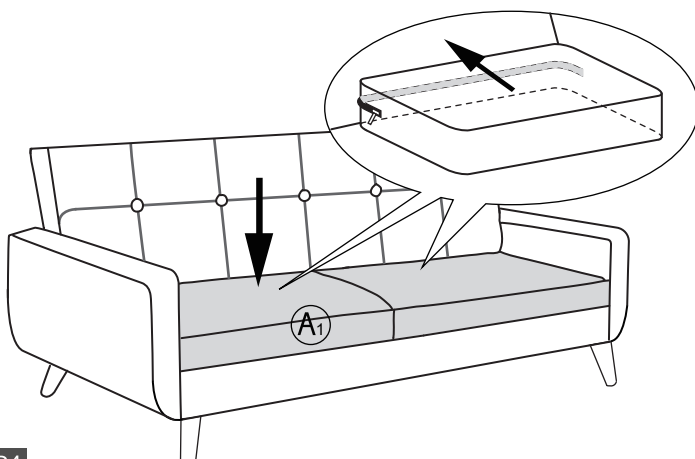
(Note: The side with Velcro on the base frame is the front of the loveseat)

STEP2



STEP3: Install the backrest **B** on the metal part of the armrest **C** from top to bottom.

STEP3



STEP4: Place the cushion **A1** on the base frame **A2** and confirm that the side with the zipper is on the inside

STEP4

Accessories-related notes:

- 1.Our loveseat are divided into two packages and they may arrive on different dates.
- 2.For daily maintenance, spot clean with a damp cloth, gently blotting to remove excess water, then air dry.
- 3.If you have any questions about the product or accessories (broken/missing), please feel free to contact us We will reply the message within 24 hours and help you until the problem is solved. Thanks ^_^