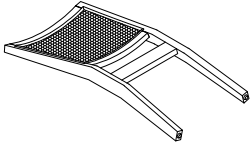
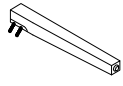
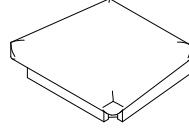
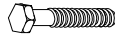
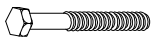




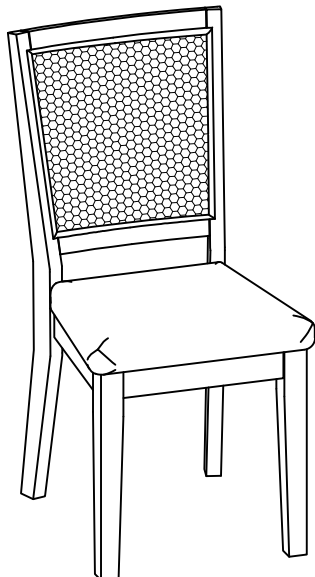


ASSEMBLY INSTRUCTION

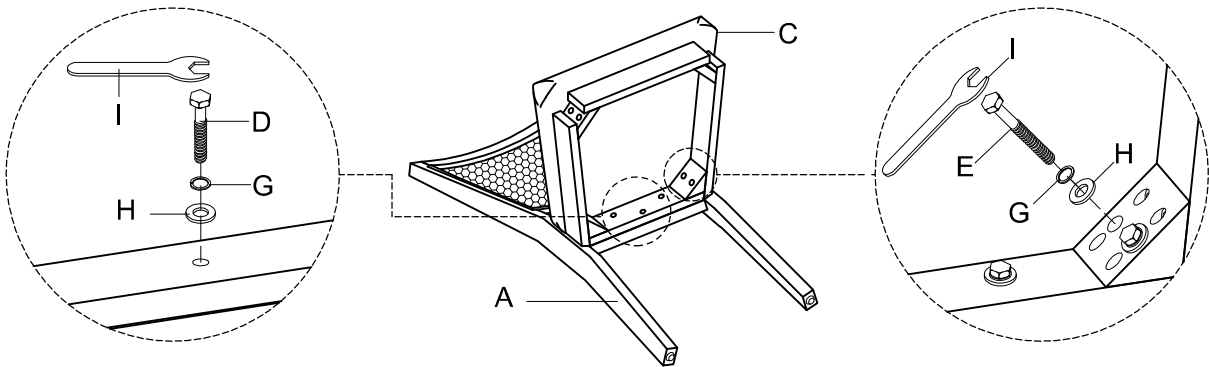
SYNTHETIC RATTAN BACK DINING CHAIR

A Chair Back 	B Front Leg 	C Cushion Seat 	D JCBC Bolt 1/4" x 1-3/4" 
1 PC	2 PCS	1 PC	3 PCS
E JCBC Bolt 1/4" x 3" 	F Nut 5/16" x 1/2" 	G Lock Washer 1/4" x 3/4" 	H Flat Washer 1/4" x 3/4" 
4 PCS	4 PCS	11 PCS	11 PCS
I Allen Wrench 1/2" 			
1 PC			



This page lists all the contents included in the box. Please take the time to identify the hardware as well as the individual components to this product. As you unpack and prepare for assembly, place the contents on a carpeted or padded area to protect them from damage.

- 1** Place the Chair Back (A) on the protective surface. Tighten the Chair Back (A) and Cushion Seat (C) by JCBC Bolt (E), Lock Washer (G), Flat Washer (H) into predrilled holes of each corner by using Allen Wrench (I). Insert JCBC Bolt (D), Lock Washer (G), Flat Washer (H) into the predrilled holes of the middle of Chair Back (A) by using Allen Wrench (I).

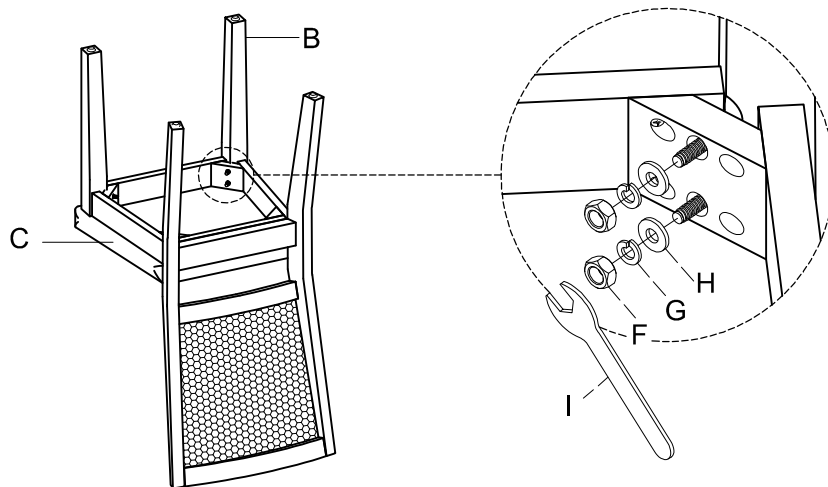


Take the Allen Wrench, and turn the bolts until the legs are secured.
DO NOT TIGHTEN COMPLETELY.
 Stop when you feel you are adding force to tighten the bolt.

- 2** Place the Front Leg (B) on the Cushion Seat (C). Tighten the Front Leg (B) and Cushion Seat (C) by Nut (F), Lock Washer (G), Flat Washer (H) and Allen Wrench (I).

Stand chair up on an even surface and check that it is balanced. If there is a slight wobble, apply downward pressure in the corner where a leg is uneven. Keeping pressure in that corner, tighten all bolts. If balanced, apply downward pressure evenly in the center and tighten all bolts. Do not over-tighten beyond hole depth.

Helpful Tip:
 Instead of applying downward pressure while reaching under to tighten bolts, have someone sit in the chair while you tighten the bolts.



Cleaning & Care

Treat surface with care. Surface is resistant to scratches but is not scratch resistant. Clean surface with a dry or damp soft cloth. Do not use abrasive cleaners. Hardware may loosen over time. Periodically check that all connections are tight.