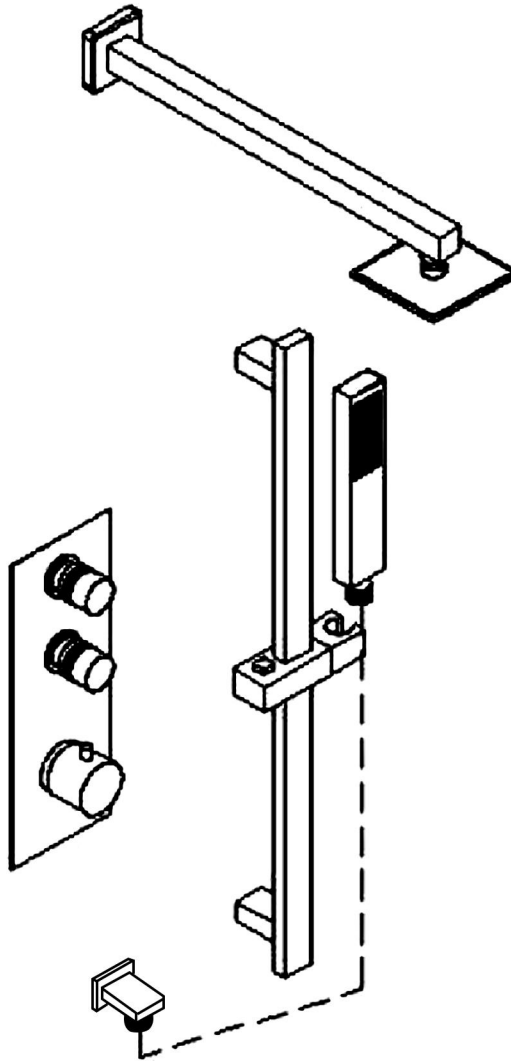


User's Manual



Installation Manual



IAPMO RESEARCH AND TESTING, INC.
5001 East Philadelphia Street, Ontario, California 91761-2816 • USA • 909-472-4100 • 909-472-4244 • www.iapmo.org

CERTIFICATE OF LISTING

IAPMO Research and Testing, Inc. is a product certification body which tests and inspects samples taken from the supplier's stock or from the market or a combination of both to verify compliance to the requirements of applicable codes and standards. This activity is coupled with periodic surveillance of the supplier's factory and warehouses as well as the assessment of the supplier's Quality Assurance System. This listing is subject to the conditions set forth in the characteristics below and it will be continued as long as the manufacturer, distributor or importer is listed on the product directory at www.iapmo.org.

This certificate is not evidence of current listing. To verify listing status, visit the IAPMO R&T Product Listing Directory at pld.iapmo.org

Effective Date: December 2019	-Rev. 2/24/2020-	Void After: December 2024
Product: Flexible Water Connectors		File No. 5111

Issued To:
Fanaki Group Inc.
Mechanical & Electrical
Industrial Zone,
Yuhuan County,
Yuhuan 317800,
ZHESHAN
China

Identification: Products shall be marked with manufacturer's name or trademark, a statement "For use with water in accessible locations only." The products shall also bear the cUPC® certification mark. Markings shall be by means of either a permanent mark on the product, a label on the product or a tag attached to the product.

Characteristics: Flexible water connectors manufactured in various sizes, lengths and metal and fittings for hot or cold water applications that consist of an inner tube, which may or may not have an outer braided cover. Connectors are to be installed for use in accessible locations only. To be installed in accordance with the manufacturer's instruction, and the latest edition of the Uniform Plumbing Code and National Plumbing Code of Canada.

Products listed on this certificate have been tested by an IAPMO R&T recognized laboratory. This recognition has been granted based upon the

Chairman, Product Certification Committee

CEO, The IAPMO Group

This listing is based upon the test data or the results indicated on the Effective Date and Void After Date shown above. Any change in material, manufacturing process, marking or design without having first obtained the approval of the Product Certification Committee, or any extension of manufacturing, shall require re-testing. This listing is subject to the conditions set forth in the characteristics below and it will be continued as long as the manufacturer, distributor or importer is listed on the product directory at www.iapmo.org. Products of or referred to in this form for advertising purposes may be made only by specific written permission of IAPMO Research and Testing, Inc. Any alteration of this certificate could be grounds for revocation of this listing. This document shall be reproduced in its entirety.

IAPMO RESEARCH AND TESTING, INC.
5001 East Philadelphia Street, Ontario, California 91761-2816 • USA • 909-472-4100 • 909-472-4244 • www.iapmo.org

CERTIFICATE OF LISTING

IAPMO Research and Testing, Inc. is a product certification body which tests and inspects samples taken from the supplier's stock or from the market or a combination of both to verify compliance to the requirements of applicable codes and standards. This activity is coupled with periodic surveillance of the supplier's factory and warehouses as well as the assessment of the supplier's Quality Assurance System. This listing is subject to the conditions set forth in the characteristics below and it will be continued as long as the manufacturer, distributor or importer is listed on the product directory at www.iapmo.org.

This certificate is not evidence of current listing. To verify listing status, visit the IAPMO R&T Product Listing Directory at pld.iapmo.org

Effective Date: November 2019	-Rev. 11/19/2019-	Void After: November 2024
Product: Plumbing Fixture Fittings		File No. 10633

Issued To:
Aqua Gallery Co., Ltd
13th-15th A/D Block
International Dynamics
Sanitary City, 528000
Foshan,
China

Identification: Plumbing supply fittings complying with this Standard shall be marked with the manufacturer's recognized name, trademark, or other mark or, in the case of private labeling, the name, trademark, or other mark of the customer for whom the fitting was manufactured. The marking shall be accomplished by use of a permanent mark or by placing a permanent label on the product. Markings on plumbing supply/fittings shall be visible after installation.

Characteristics: Single-handle, single-control, and automatic compensating mixing bath and shower valves shall have identifiable temperature control settings in which the settings are indicated by words ("cold", "warm", "hot", etc.), by numbers, or graphically.

Package shall be marked with the manufacturer's name, trademark, or other mark as well as the model number or, in the case of private

Chairman, Product Certification Committee

CEO, The IAPMO Group

This listing is based upon the test data or the results indicated on the Effective Date and Void After Date shown above. Any change in material, manufacturing process, marking or design without having first obtained the approval of the Product Certification Committee, or any extension of manufacturing, shall require re-testing. This listing is subject to the conditions set forth in the characteristics below and it will be continued as long as the manufacturer, distributor or importer is listed on the product directory at www.iapmo.org. Products of or referred to in this form for advertising purposes may be made only by specific written permission of IAPMO Research and Testing, Inc. Any alteration of this certificate could be grounds for revocation of this listing. This document shall be reproduced in its entirety.

IAPMO RESEARCH AND TESTING, INC.
5001 East Philadelphia Street, Ontario, California 91761-2816 • USA • 909-472-4100 • 909-472-4244 • www.iapmo.org

CERTIFICATE OF LISTING

IAPMO Research and Testing, Inc. is a product certification body which tests and inspects samples taken from the supplier's stock or from the market or a combination of both to verify compliance to the requirements of applicable codes and standards. This activity is coupled with periodic surveillance of the supplier's factory and warehouses as well as the assessment of the supplier's Quality Assurance System. This listing is subject to the conditions set forth in the characteristics below and it will be continued as long as the manufacturer, distributor or importer is listed on the product directory at www.iapmo.org.

This certificate is not evidence of current listing. To verify listing status, visit the IAPMO R&T Product Listing Directory at pld.iapmo.org

Effective Date: March 2019	-Rev. 3/19/2019-	Void After: March 2024
Product: Plumbing Fixture Fittings - Components		File No. MC-9703

Issued To:
Ningbo Nantai Cartridge Technology Co., Ltd.
Linqin Zone, Chunhui
Fuyuan, JIANGSU
China

Identification: Each fitting component shall bear permanent legible markings to identify the manufacturer. This marking shall be the trade name, trademark, or other mark known to identify the manufacturer. The product shall also bear all other markings required by the standards. The marking shall be applied so as to be visible after installation. The product or packaging shall also bear the cUPC® certification mark along with the term "COMPONENT" above.

Characteristics: Plumbing fixture fitting components to be installed in accordance with the manufacturer's instructions and the requirements of the latest edition of the Uniform Plumbing Code.

Products listed on this certificate have been tested by an IAPMO R&T recognized laboratory. This recognition has been granted based upon the Laboratory's compliance to the applicable requirements of ISO/IEC 17025.

Products are in compliance with the following code(s):
Uniform Plumbing Code (UPC®)

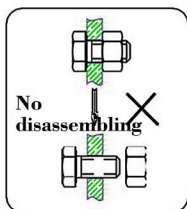
Chairman, Product Certification Committee

CEO, The IAPMO Group

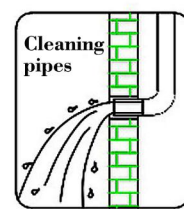
This listing is based upon the test data or the results indicated on the Effective Date and Void After Date shown above. Any change in material, manufacturing process, marking or design without having first obtained the approval of the Product Certification Committee, or any extension of manufacturing, shall require re-testing. This listing is subject to the conditions set forth in the characteristics below and it will be continued as long as the manufacturer, distributor or importer is listed on the product directory at www.iapmo.org. Products of or referred to in this form for advertising purposes may be made only by specific written permission of IAPMO Research and Testing, Inc. Any alteration of this certificate could be grounds for revocation of this listing. This document shall be reproduced in its entirety.

INSTALL THE SHOWER

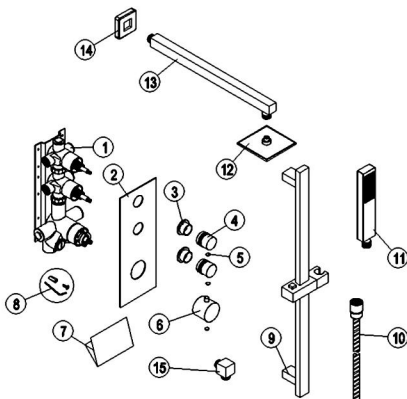
This product has been inspected and debugged by the factory to the best condition. Please do not disassemble and assemble it yourself.



Before installing the faucet, please be sure to remove sundries and sludge from the water pipe to prevent sundries from blocking the faucet.



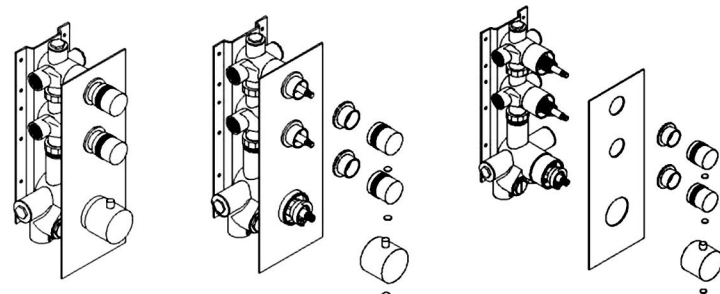
1. Exploded view



No.	Description	Qty
1	Thermostatic valve	1
2	Panel	1
3	Decoration covers	2
4	Divider	2
5	Chrome cover	3
6	Thermostatic hand wheel	1
7	Installation user manual	1
8	Accessories	1
9	Lifting rod	1
10	Shower hose	1
11	Hand shower	1
12	Shower head	1
13	Shower arm	1
14	Shower arm Decoration cover	1
15	Outlet connector	1

2. Installation steps

2.1 Disassemble the hand wheels

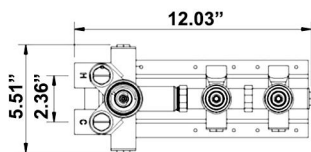


2.11 Factory setting

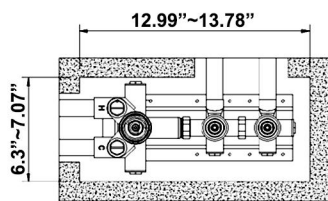
2.12 Open Gold cover, use inner hexagon Spanner, remove all handle wheels. When remove the thermostatic handle wheel, please ensure that the two red marks on the temperature spindle are in the line, this is factory set 40°C position

2.13 Screw out three decoration remove all circles and remove plate.

2.2 Size for grooving and assembly

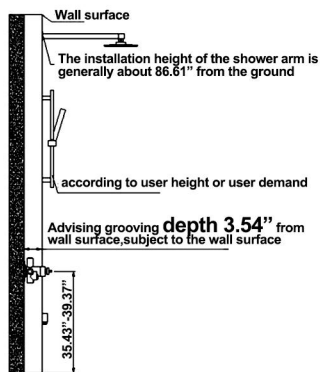


2.21 Main body size (for your reference, check actual size)

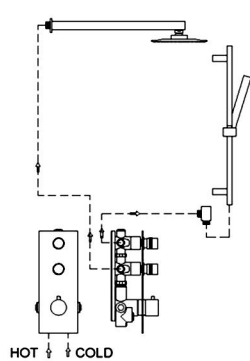


2.22 Wall grooving design and size (for your reference)

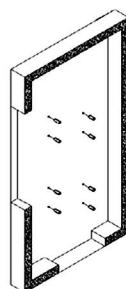
2.3 Main body built-in steps



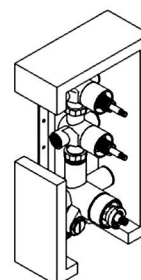
2.23 From ground to main body usually 35.43"-39.37" also can according to user height or user demand.



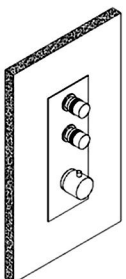
2.24 Join different water pipe.



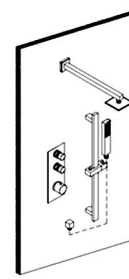
2.31 Drill the hole in the wall. Beat expansion strip into the hole (there are 8 expansion strip harden and 8 self-tapping screw)



2.32 Put the main body into the wall. fixed with self-tapping screw.



2.33 After tiling, assembly panel, decoration covers, handles in order, screw the tighten and put Gold button into the original place.



2.34 Effect diagram

CLEANING CARE

In order to keep the appearance of faucet clean, bright and good performance, please take care of the faucet as follows;

1. Rinse with water only and dry with soft cotton cloth;
2. Use mild liquid and colorless glass cleaner to remove surface dirt and scale film, or use polish without abrasive effect;
3. Do not use abrasive detergent, polish, emery cloth, paper towel or scraper, etc.;
4. Do not use acid cleaner, or cleaner and soap with insoluble gran etc.;
5. In the process of use, mud may accumulate in the bubbler and make the water flow show, The bubbler can be unscrewed, rinsed with water, and then installed back in place.



