

WARRANTY

We strive to offer high-quality products, and we also try our best to satisfy each and every customer that orders from us with product or service as needed.

Each customer must provide a record of their order such as the order number, or item receipt for any items that are out of the warranty period you may also still receive replacement parts by purchasing them with our company if they are available.

**Are you having difficulty
with assembly? Missing parts?**

Please contact us : info@firstopintl.com

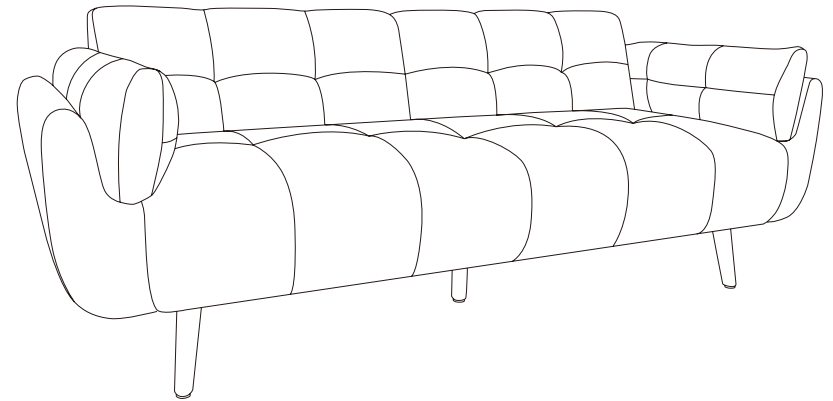
telephone No.:5627813327

send email with your order No. to

**For return, please check the return policy with
the retailer or market place you bought from.**

Appreciate your purchasing from us.

Pop up your life by our furniture !

The logo for Wixe, featuring the word "wixe" in a bold, lowercase, sans-serif font. The letter "i" is stylized with a grey dot and a grey vertical bar extending downwards.

ITEM NO .LS0009

NOTE:

This brochure contains IMPORTANT safety info. Please read and keep for future reference.

MAINTAINANCE AND WARNING

- Keep furniture away from heat and fire.
- Keep furniture away from sharp objects.
- Do not clean furniture with harsh cleansers or polish. Do not use detergents, Solvents, abrasives, spray packs or leather cleaner. Use non-color mild soap with warm water clean spills(Mix 1:10 soap to water)
- Do not place furniture under direct sunlight, material will possibly fade over time.
- Do not jump or strike on the furniture.
- Do not write on furniture without a padded barrier to protect the surface.
- Not for commercial use, For residential use only.
- People needed for assembly: 2

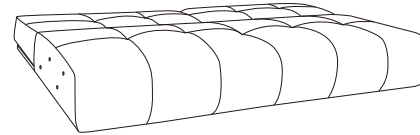


Weight Limitation

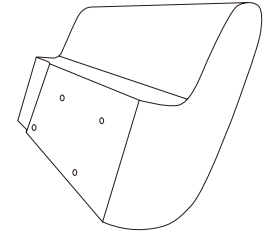
400LBS

PARTS LIST

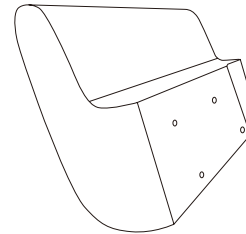
A*1 sofa frame



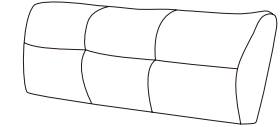
B*1 armrest



C*1 armrest



D*2 armrest cushion



E*4



side leg

F*1



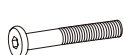
middle leg

HARDWARE and TOOL LIST

①*16 M6*18mm ②*8 M8*80mm ③*8 M8*22*1.2mm ④*8 M8



Bolt



Bolt



Washer



Washer

⑤*1

M6



Allen Key

SPARE

①*2 M6*18mm



Bolt

②*1 M8*80mm



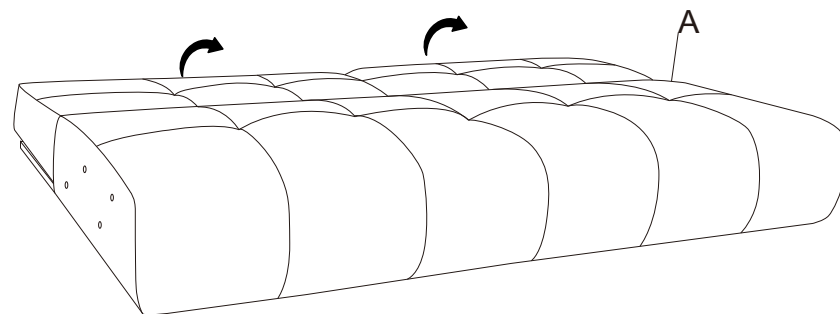
Bolt

Be sure to check all packing materia fit the packing list. Carefully for small parts, which may have come loose inside the carton during shipment.

ASSEMBLY INSTRUCTIONS



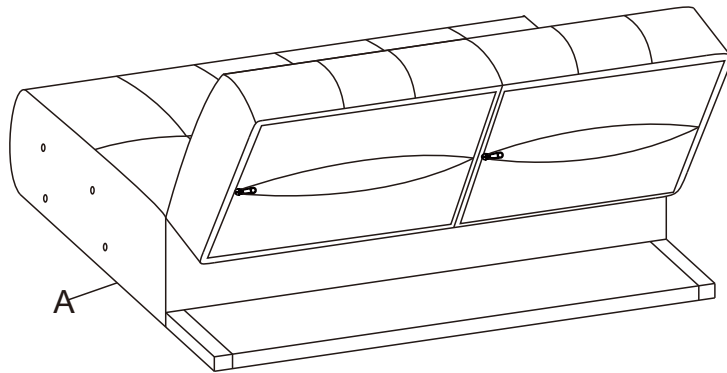
Assembly =2 persons



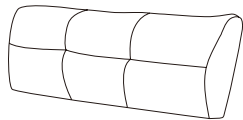
STEP1: Put sofa frame A on the clean and padded surface, Fold the sofa backrest so that it is 180° with the sofa seat surface.



Assembly =2 persons



D*2



E*4



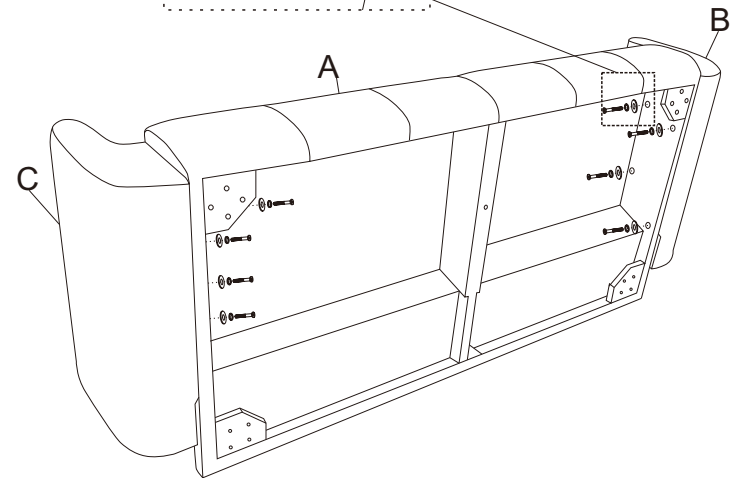
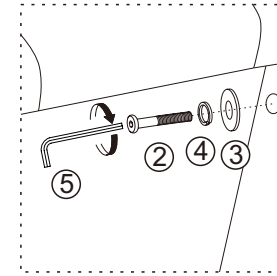
F*1



STEP 2: Zip down the storage bag on the back of the sofa frame A, take out the armrest cushions D and the fittings box which contains legs E, F, all washers and bolts, then zip it up.



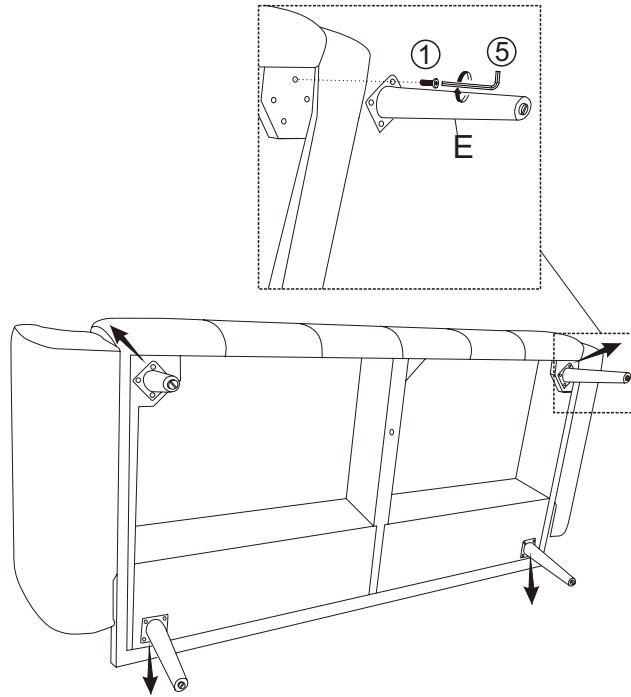
Assembly =2 persons



STEP 3: Fold the sofa backrest so that it is 90° with the sofa seat surface, place the left and right armrests B and C in the corresponding position, align the holes reserved on the armrests with the holes reserved on the sofa frame A, and add washers 3# and 4# in accordance with the order on the bolts 2#. With the help of allen key 5#, the sofa frame and armrests are firmly assembled until the bolts can not be screwed.



Assembly =2 persons

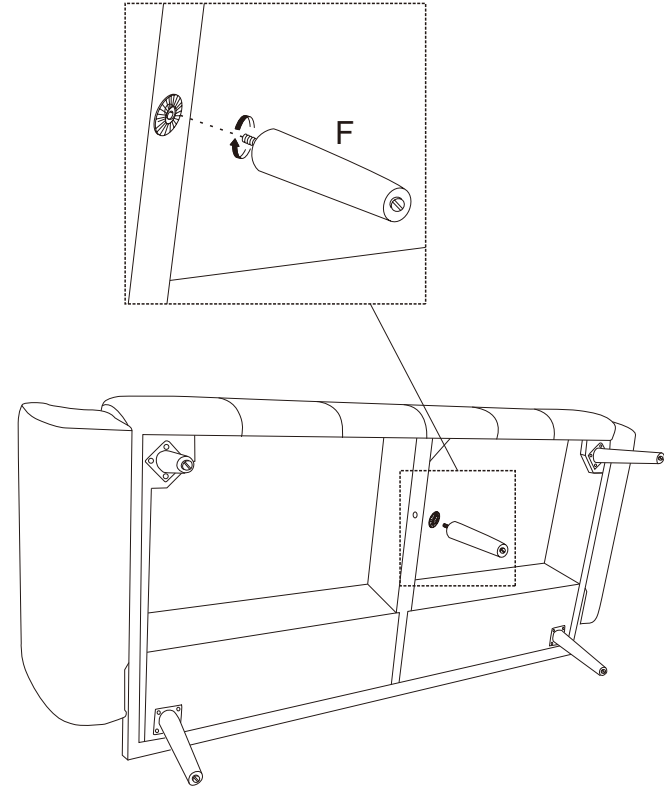


STEP 4: Place the side legs E in the corresponding position, align the holes reserved on the legs with the holes reserved on the bottom of the sofa frame, insert the bolts 1# to the holes. With the help of allen key 5#, the sofa frame and side legs are firmly assembled.

Attention: the direction of the side legs should be the same with the picture.



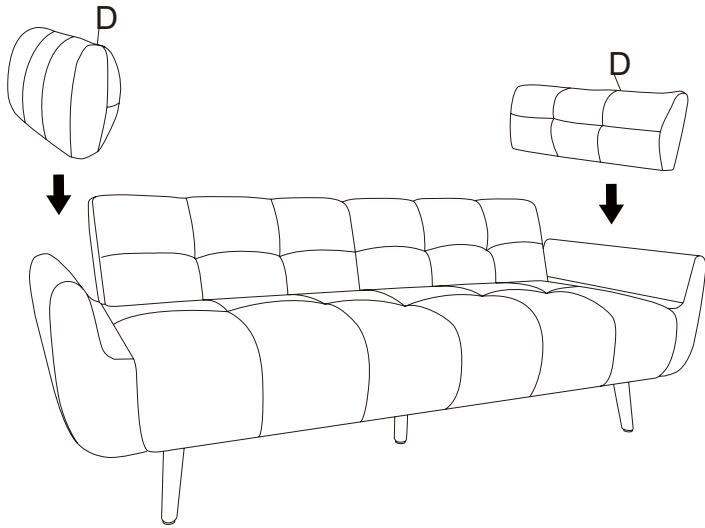
Assembly =2 persons



STEP 5: Place the middle leg F in the corresponding position of the middle woodframe, aligning with the hole reserved on the sofa frame. Firmly assembled until the bolt can not be screwed.



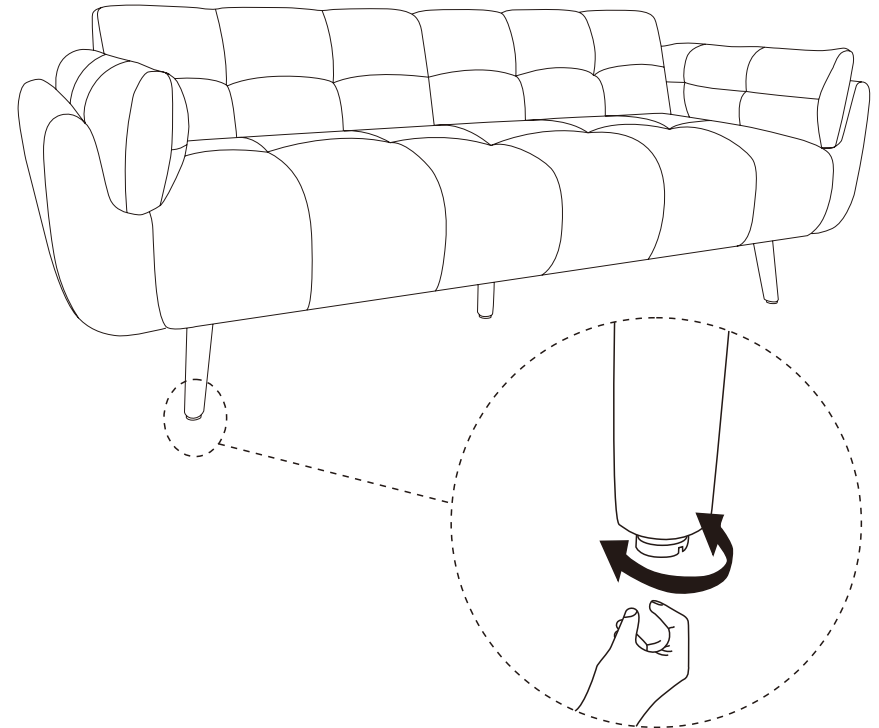
Assembly = 2 persons



STEP 6: Turn over the sofa, put the armrest cushions D in accordance with the armrests.



Assembly = 2 persons



STEP 7: After installation, adjust the adjustable leveler to keep the sofa balanced.

