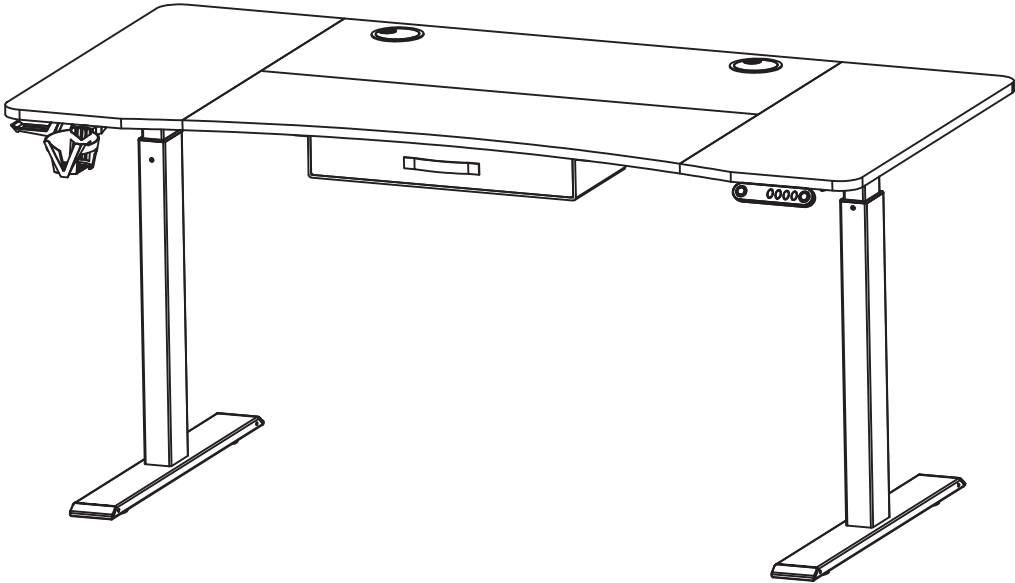


Electric Height Adjustable Standing Desk

USER MANUAL





**IMPORTANT INFORMATION
READ CAREFULLY.**

KEEP THIS INFORMATION FOR FURTHER REFERENCE.

GENERAL GUIDELINES

- Please read the following instruction carefully and use the product accordingly.
- Please keep this manual and hand it over when you transfer the product.
- This summary may not include every detail of all variations and considered steps. Please **contact us** when further information and help are needed.

NOTES



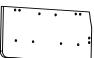






- Please follow the assembly instructions precisely and only use the product as intended.
- If an odor is present when first opening the package, please leave the unwrapped product in a shaded and ventilated area for a few days to air out.
- Prior to assembly, please check the product for defects or missing accessories. If any defects are found or accessories are missing, do not use product as damage or injury may occur;
- Please **contact us** for assistance and replacement.
- During assembly, please only slightly tighten all screws in their correct position first, then fully tighten them. A Philips screwdriver is recommended but not included.
- It is suggested you regularly check the products bolts and connections to ensure safe use.
- Assemble the item on a soft flat and clean surface to avoid scratches and damage.

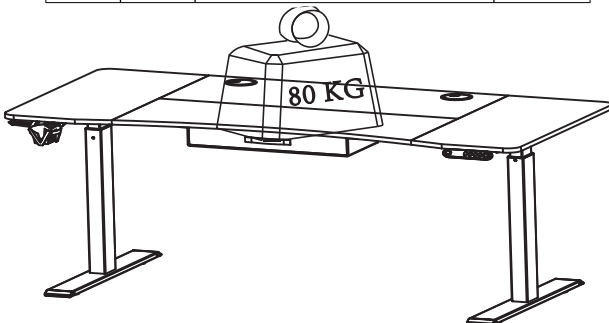
WARNINGS

- During assembly, keep parts and packaging materials away from children and pets as there could cause injury and are a potential choking hazard.
- Avoid sharp objects or corrosive chemicals to prevent damage to the product.
- Please open the item slowly and cautiously to avoid pinching your hands by metal joints, especially children.

Components

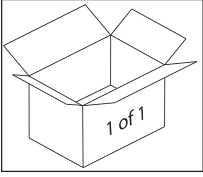
Please check you have all the pieces listed below

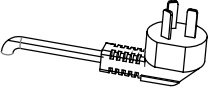
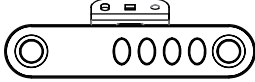

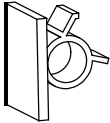

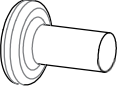
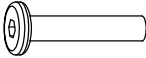





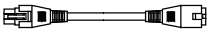

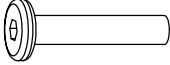

Part List			
Reference	Description	Part	Qty
1	Desktop-1		1
2	Desktop-2		1
3	Desktop-3		1
4	Desktop-4		1
5	Leg		2
6	Support Beam		2
7	Side Bracket		2
8	Base		2
10	Cloth Drawer		1



Components

Please check you have all the pieces listed below

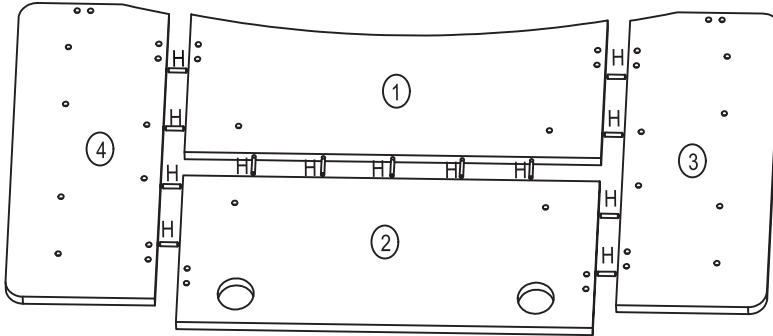


<p>A</p>  <p>Power Cable x1</p>	<p>B</p>  <p>Controller x1</p>	<p>C</p>  <p>Leveling Studs x4</p>
<p>D</p>  <p>Wire Clips x10</p>	<p>E</p>  <p>4mm Allen Key x1</p>	<p>F</p>  <p>Screws M6x12 x 58</p>
<p>G</p>  <p>Screws M6x35x10</p>	<p>H</p>  <p>Wooden Rod x15</p>	<p>I</p>  <p>Outlet Box x2</p>
<p>J</p>  <p>Connector x4</p>	<p>K</p>  <p>AC Adapter x1</p>	<p>L</p>  <p>Hexagon Bar x1</p>
<p>M</p>  <p>Extension Line x1</p>	<p>P</p>  <p>Cup Holder x1</p>	<p>Q</p>  <p>Screws M6x20 x2</p>
	<p>S</p>  <p>Earphone Hook x1</p>	

1

Note: Two more wooden rods in the accessory bag

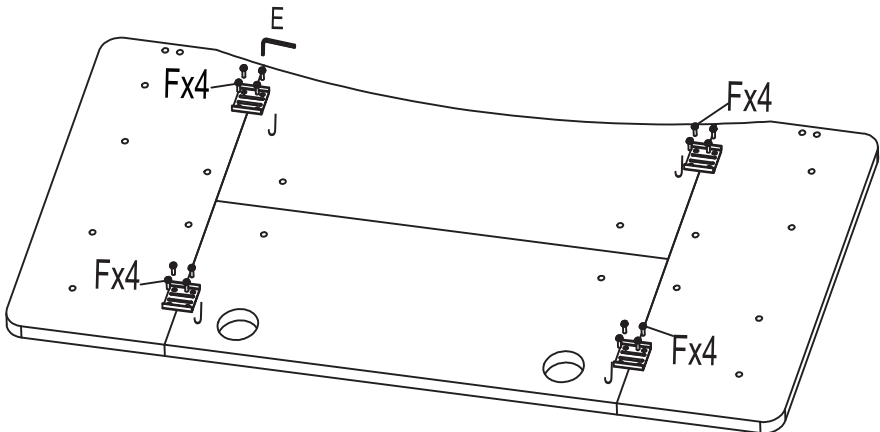
H	X 13
Wooden Rod	



2

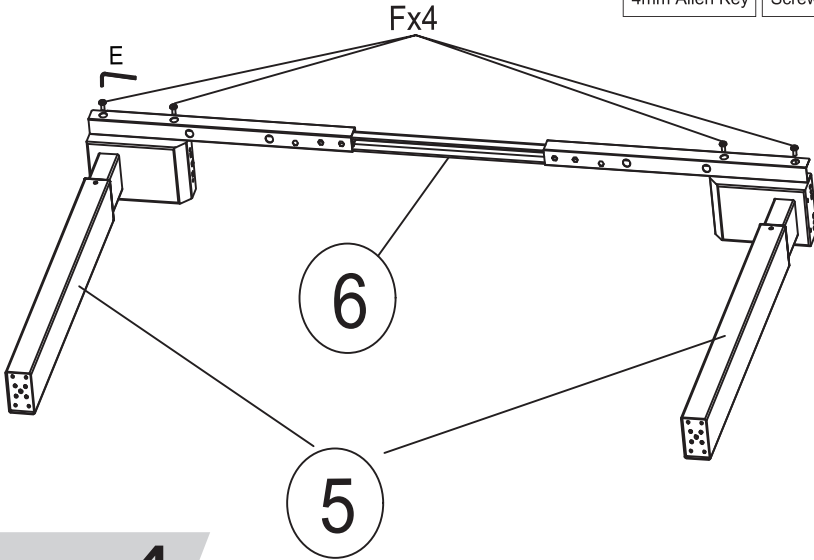
E	X 1	F	X 16	J	X 4
4mm Allen Key		Screws M6X12		Connector	

Note: The horizontal bar on the connector should be perpendicular to the seam of table panel slice



3

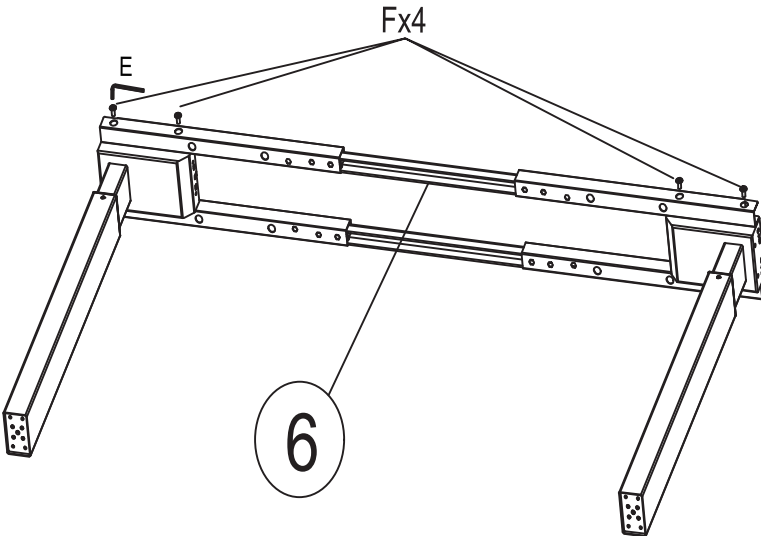
E	X 1	F	X 4
4mm Allen Key		Screws M6X12	



4

E	X 1	F	X 4
4mm Allen Key		Screws M6X12	

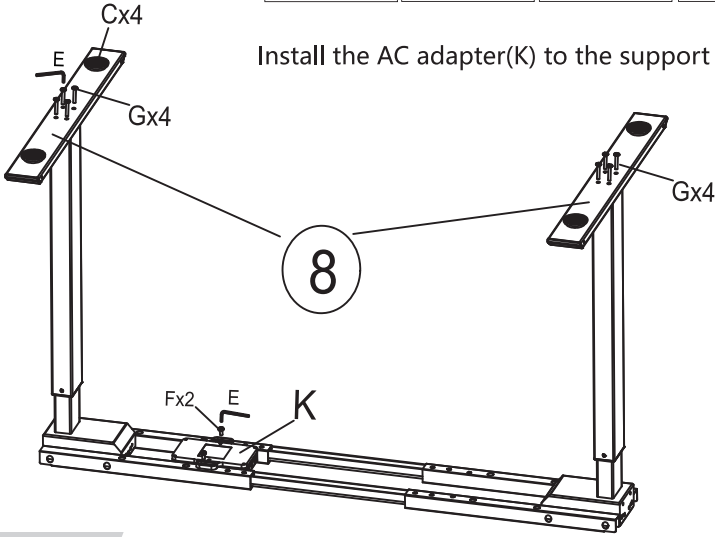
Install the another ⑥ -Support Beam on the other side in the same way as in step 3.



5

F X 2	C X 4	E X 1	G X 8
Screws M6X12	Leveling Studs	4mm Allen Key	Screws M6X35

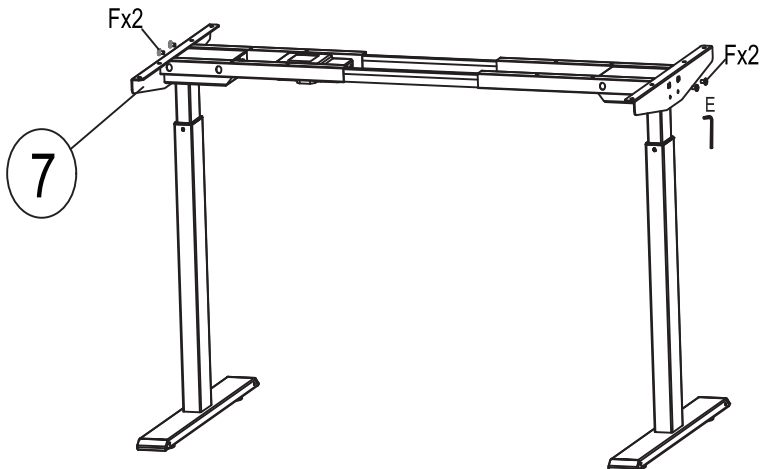
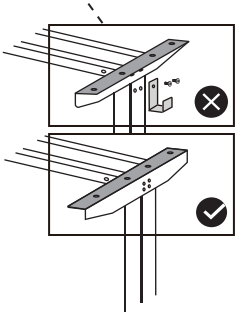
Install the AC adapter(K) to the support beam



6

E X 1	F X 4
4mm Allen Key	Screws M6X12

Stand the desk up and install
⑦ Side Brackets.



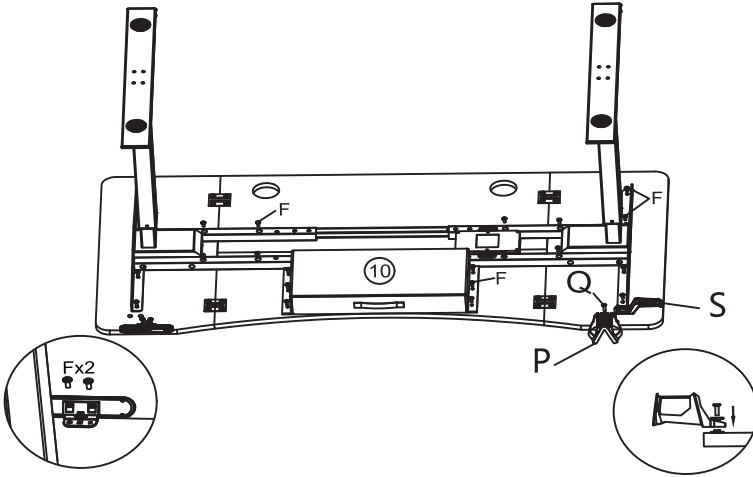
E X 1
4mm Allen Key

F X 26
Screws M6X12

Q X 1
Screws M6X20

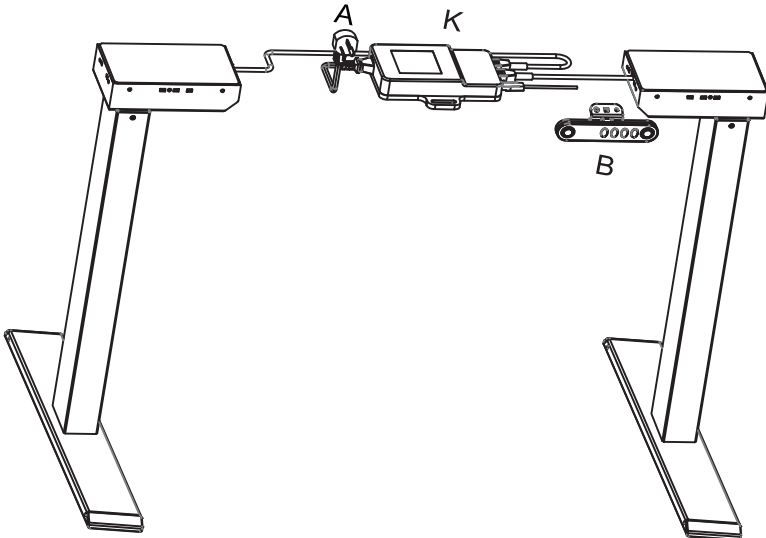
7

Install the frame on the desktop with cup holder(**P**),cloth drawer(**10**),earphone hook(**S**), controller(**B**)



8

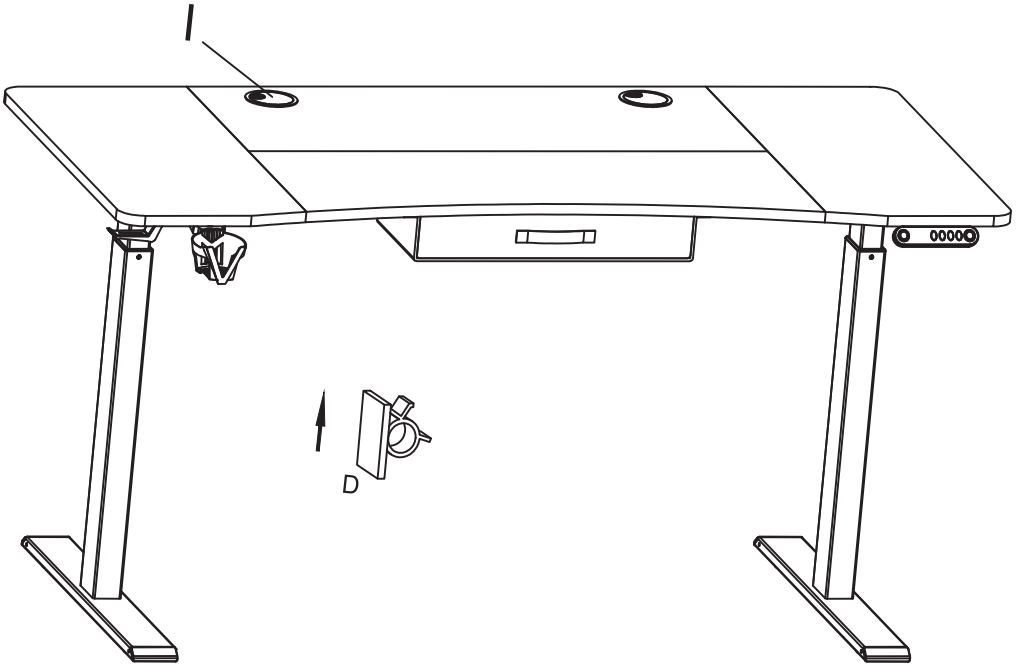
Connect Controller,AC Adapter,Power Cable and Leg



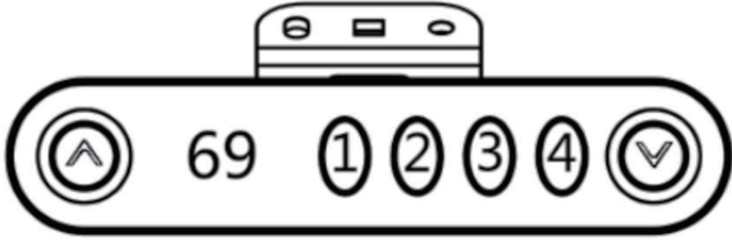
9

I X 2	D X 10
Outlet Box	Wire Clips

Stand the desk up, press the outlet box firmly into the desktop and use the wire clips to tidy up wires



DISPLAY INSTRUCTIONS



IMPORTANT	You must RESET the desk prior to use.
RESET Setting	Method 1: Press and hold “^” and “v” buttons on the controller at the same time for seconds until you hear the beep. Release the buttons. The desk will goes automatically until it shows 69, and the reset is successful.
Height Adjustment	Up: Press Up “^” Down: Press Down “v”
Switch Display	Press 2 times“v”when the desk at the lowest position to switch cm to inch
Memory Height	Press and hold any of memory buttons (1,2,3 or 4) until you hear a beep.Release the button, and this position height will be stored in memory. When the working height of memory needs to be used, press the memory position button and the desk will automatically adjust to the memory height. Note:This standing desk has 4 different height memories. The memory positions stored are still valid after power off. You can use the up and down buttons to adjust the standing desk to the height you need to work.

Troubleshooting Guide:

If your standing desk does not work properly, you may need to reset it. If any error codes appears, you need to reset it.

Maintenance and Consideration:

1. During daily maintenance, use a clean soft cloth to remove surface dust. Do not use a wet cloth or hard material to wipe the surface of the table.
Avoid contacting the surface with acid-based chemicals.
2. For slight scratches, gently wipe with a soft cloth, you can smooth out scratches.
Avoid attaching tape directly to the outer surface of the metalfeet to prevent paint from peeling