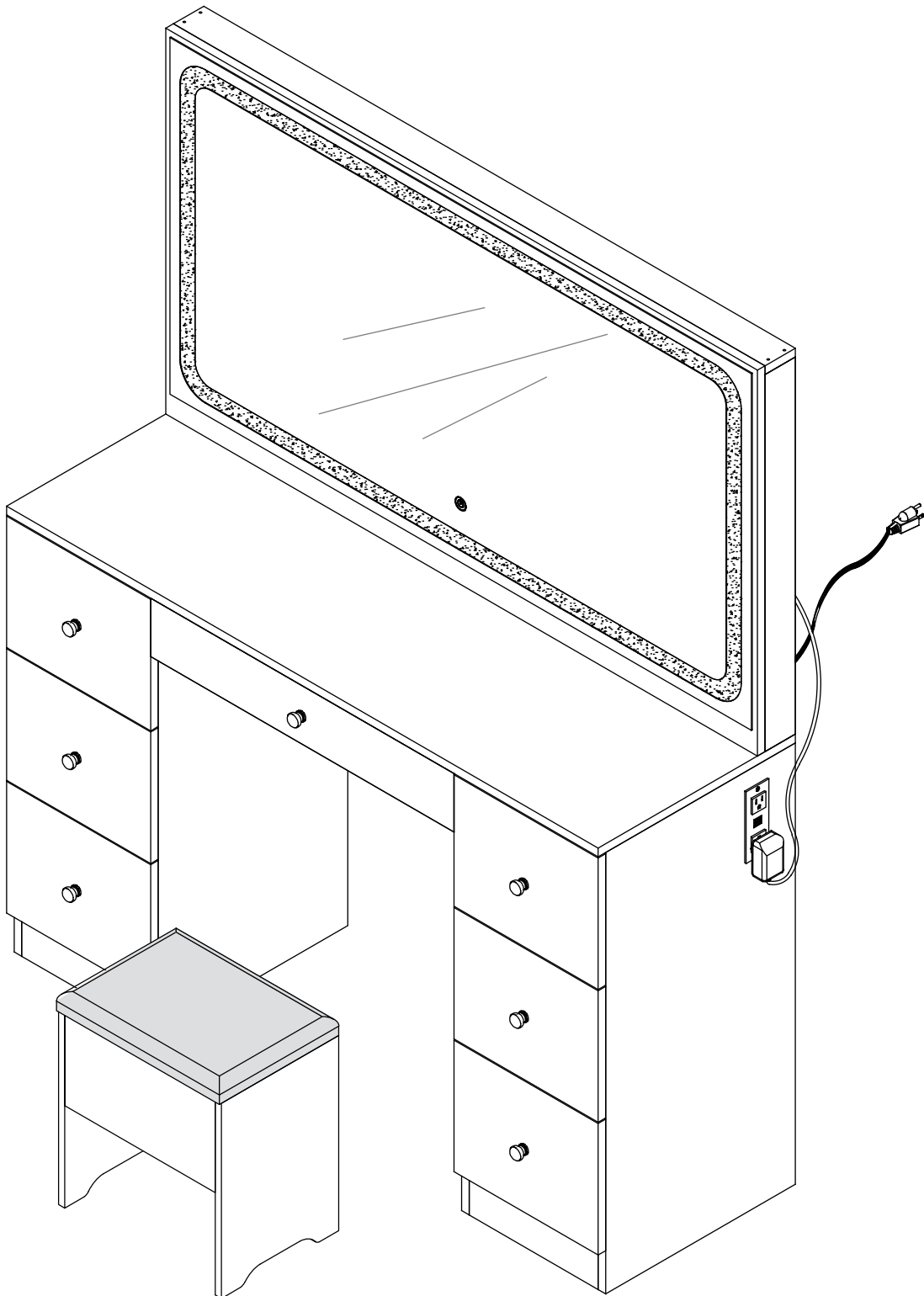
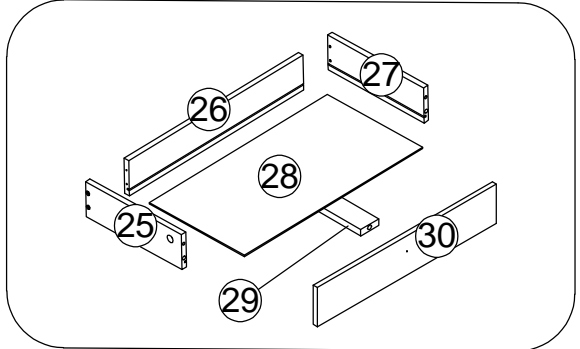
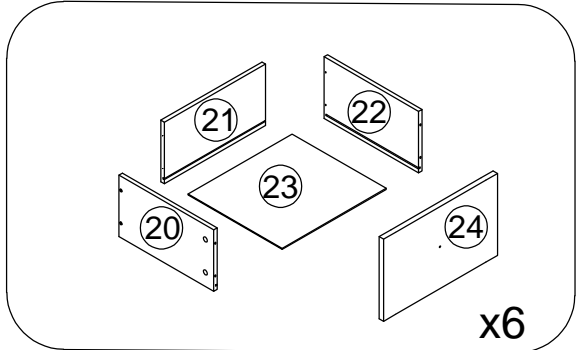
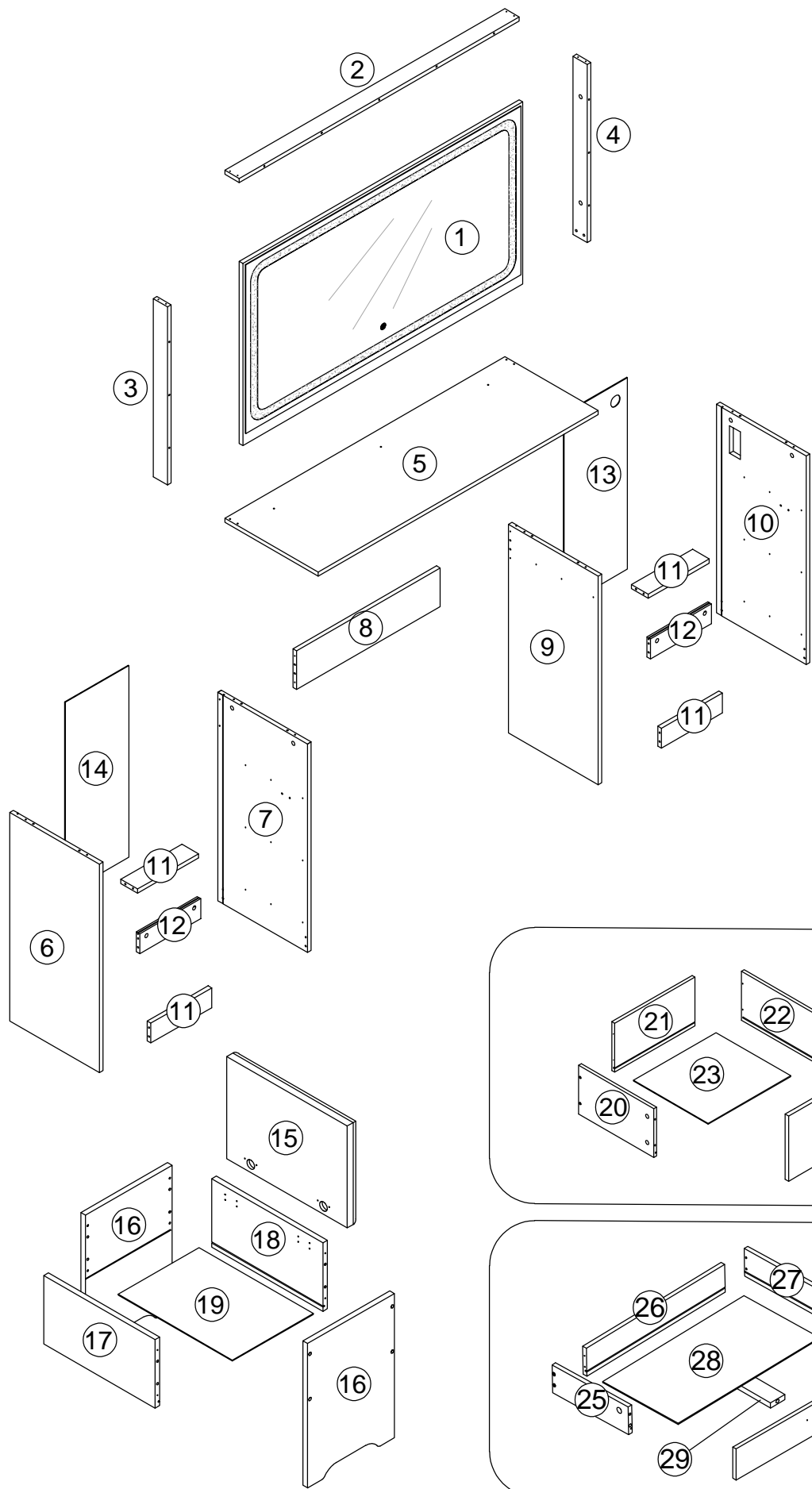
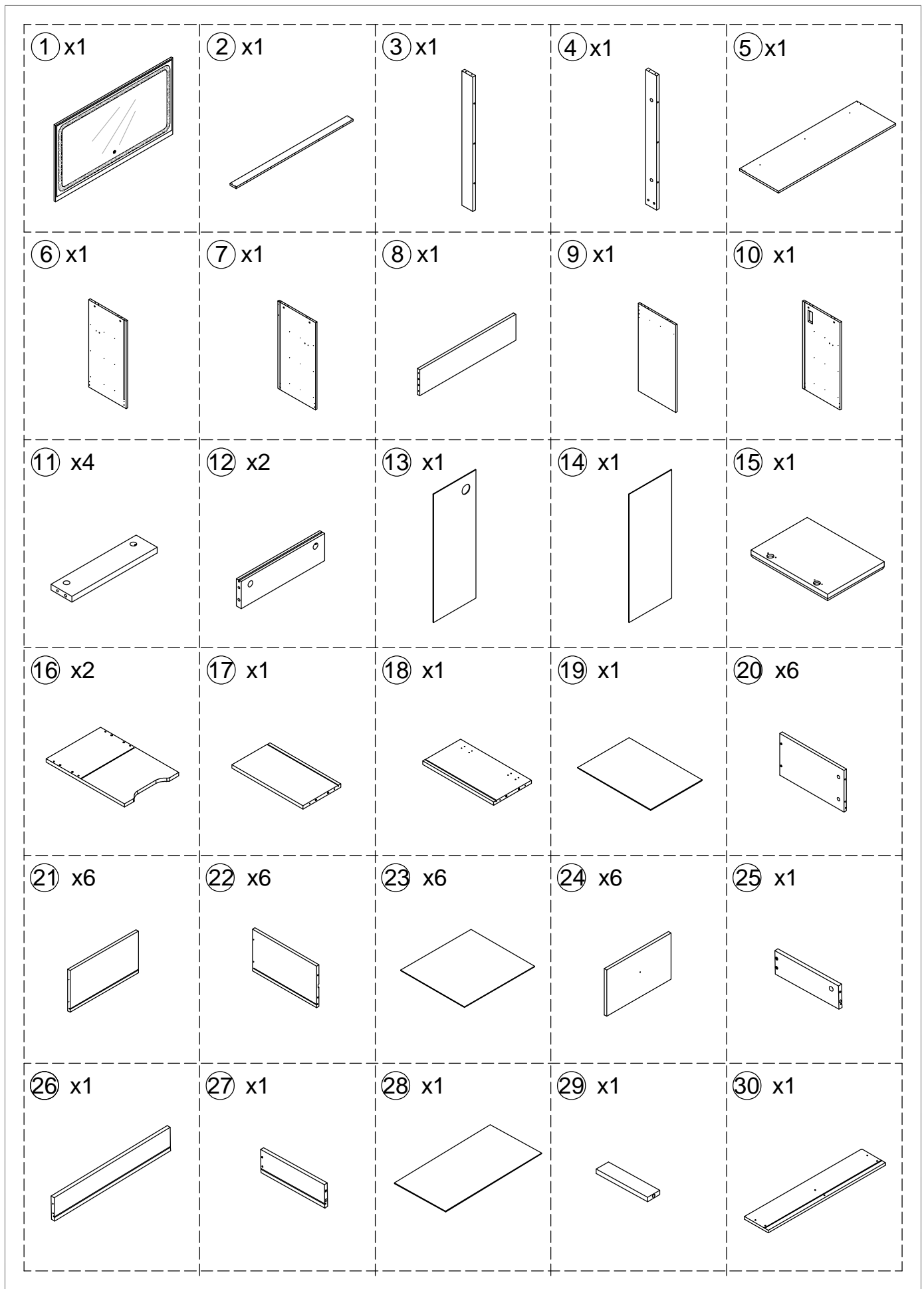




HK-JCS-06



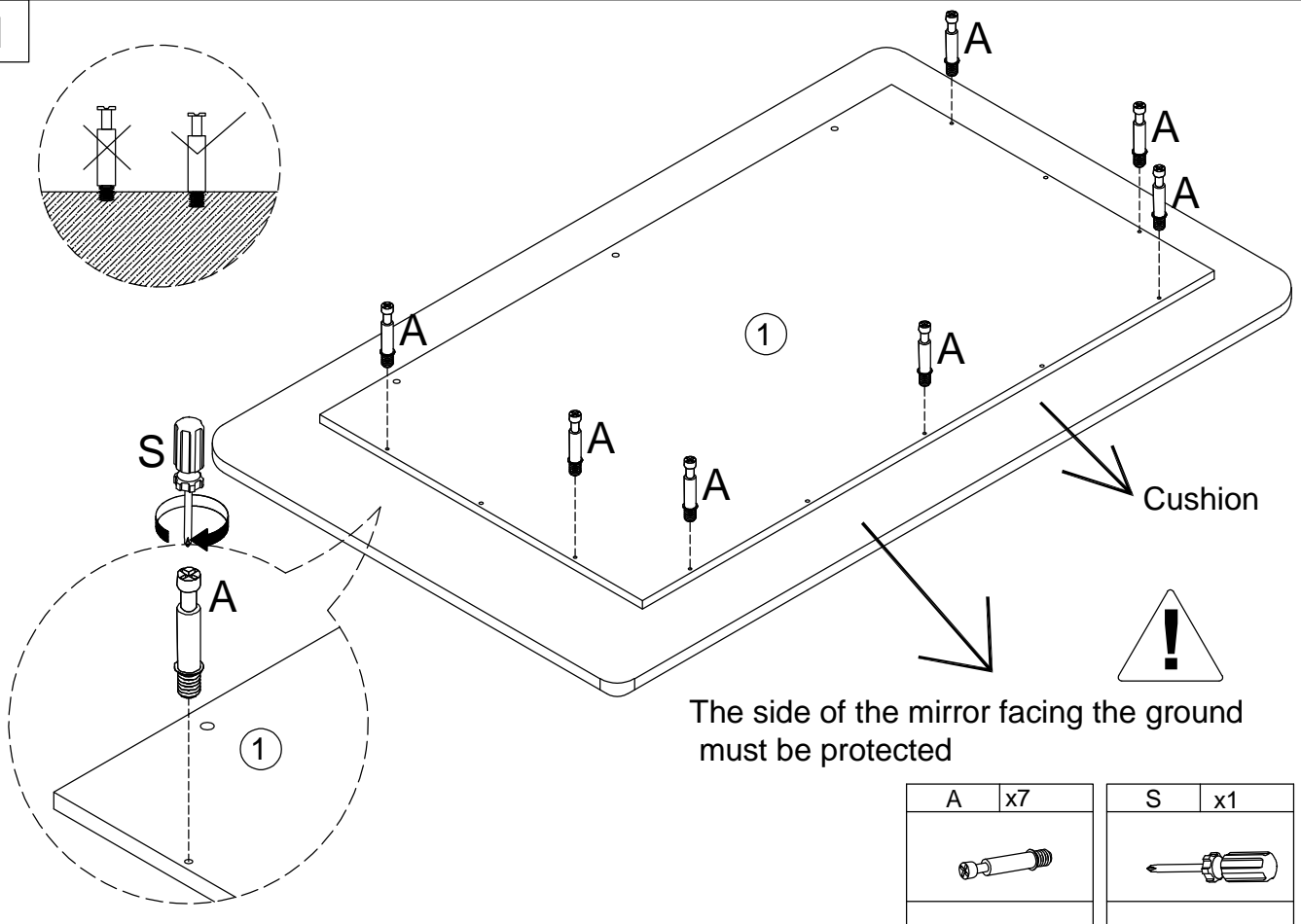




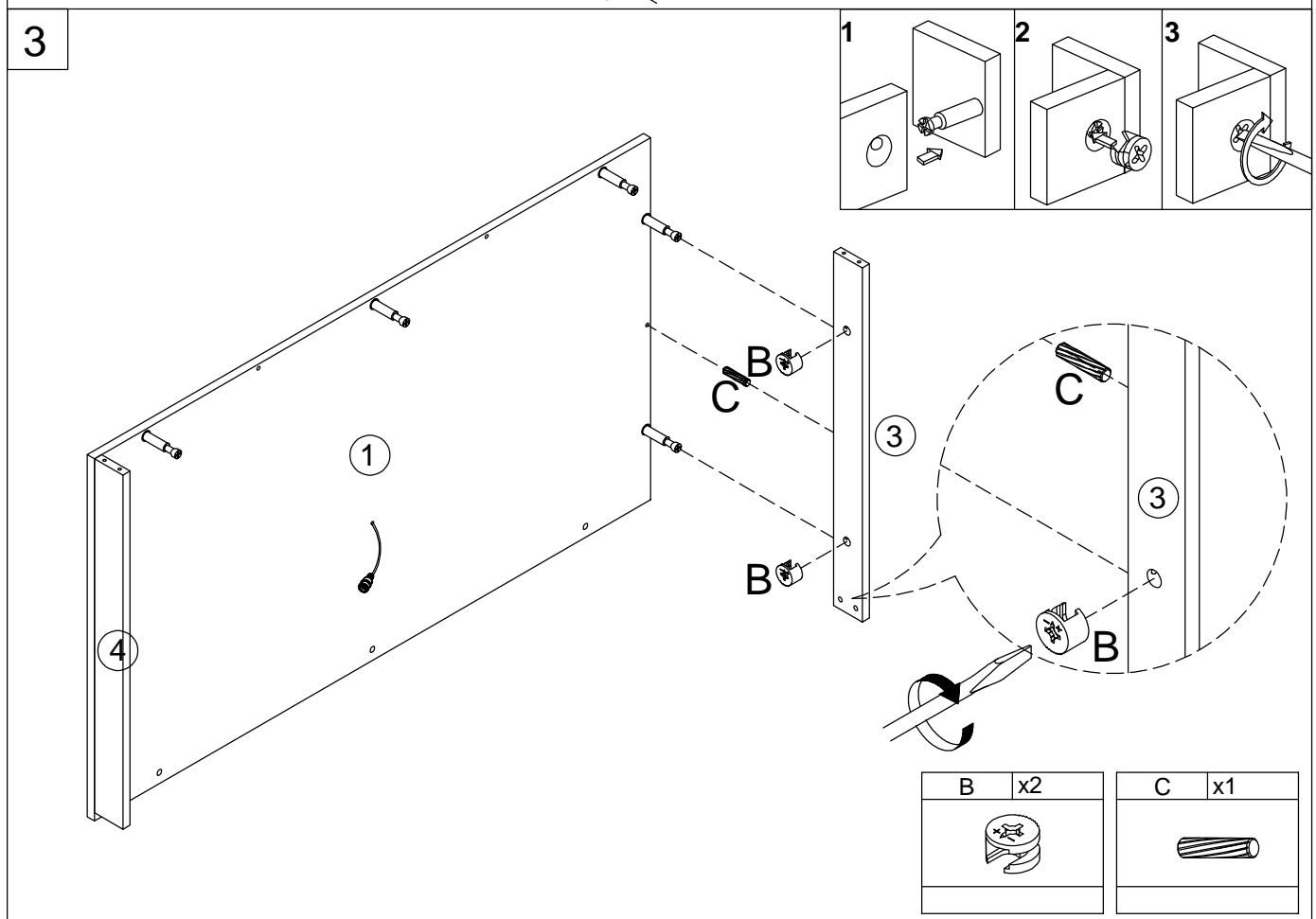
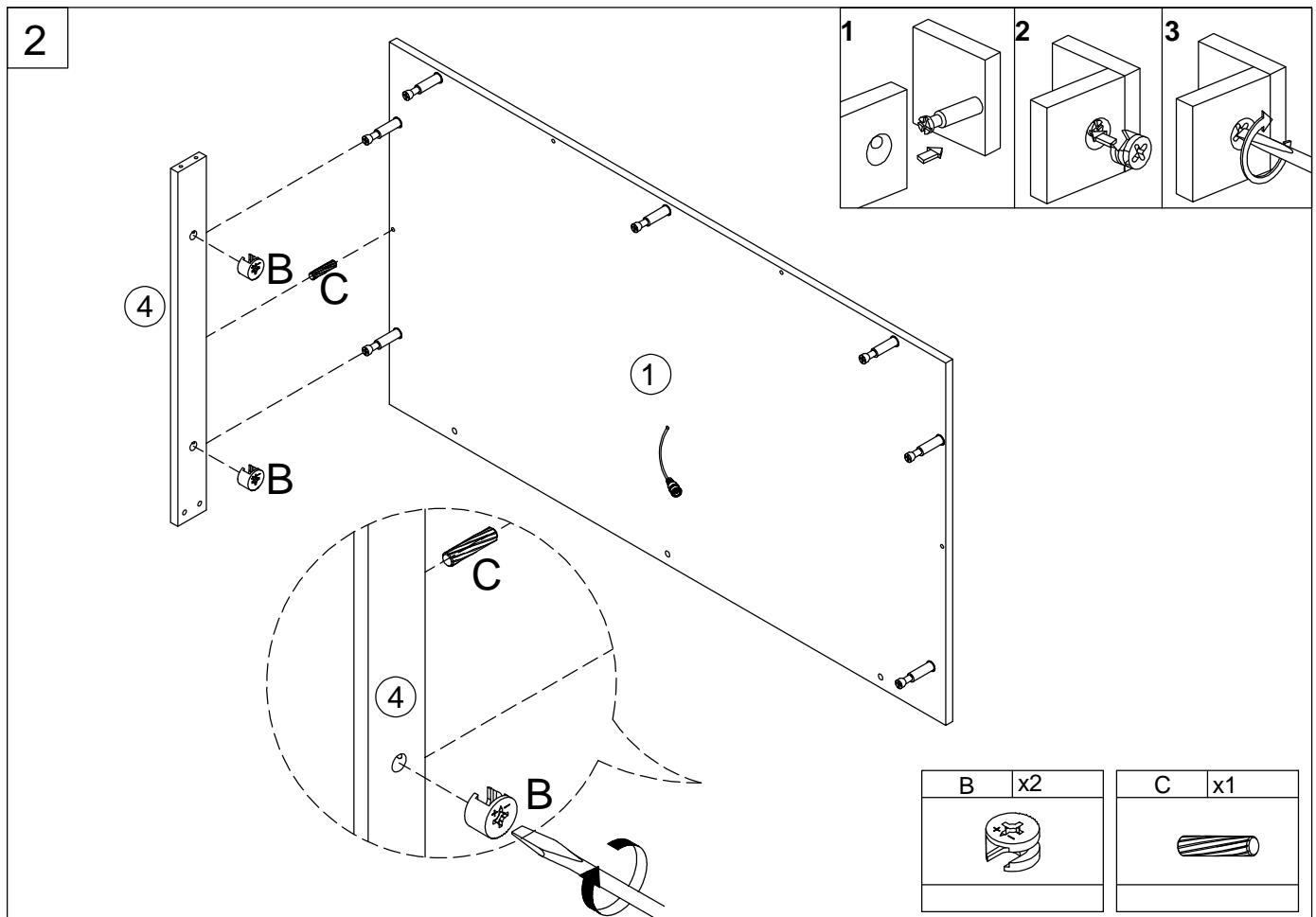
Hardware

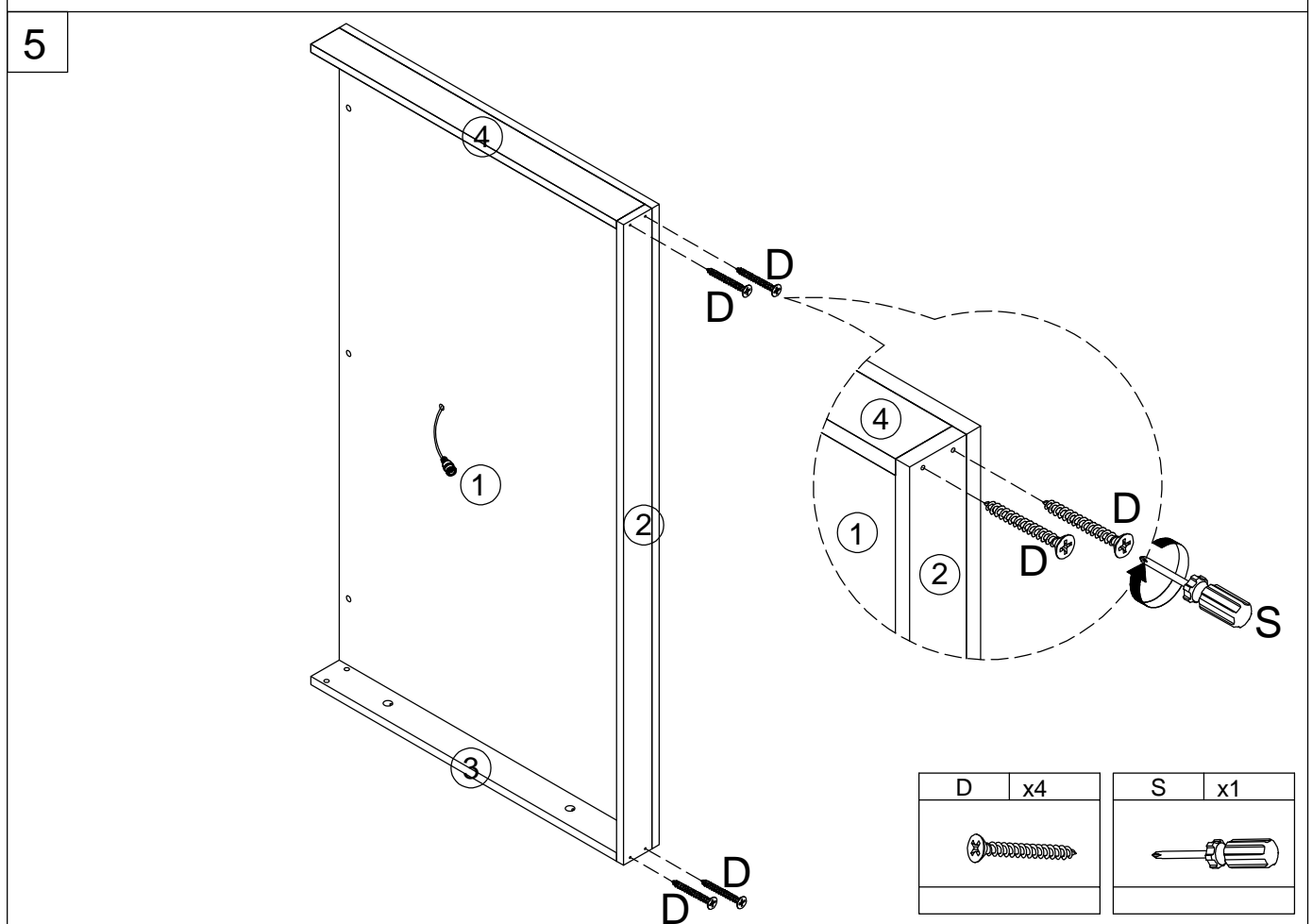
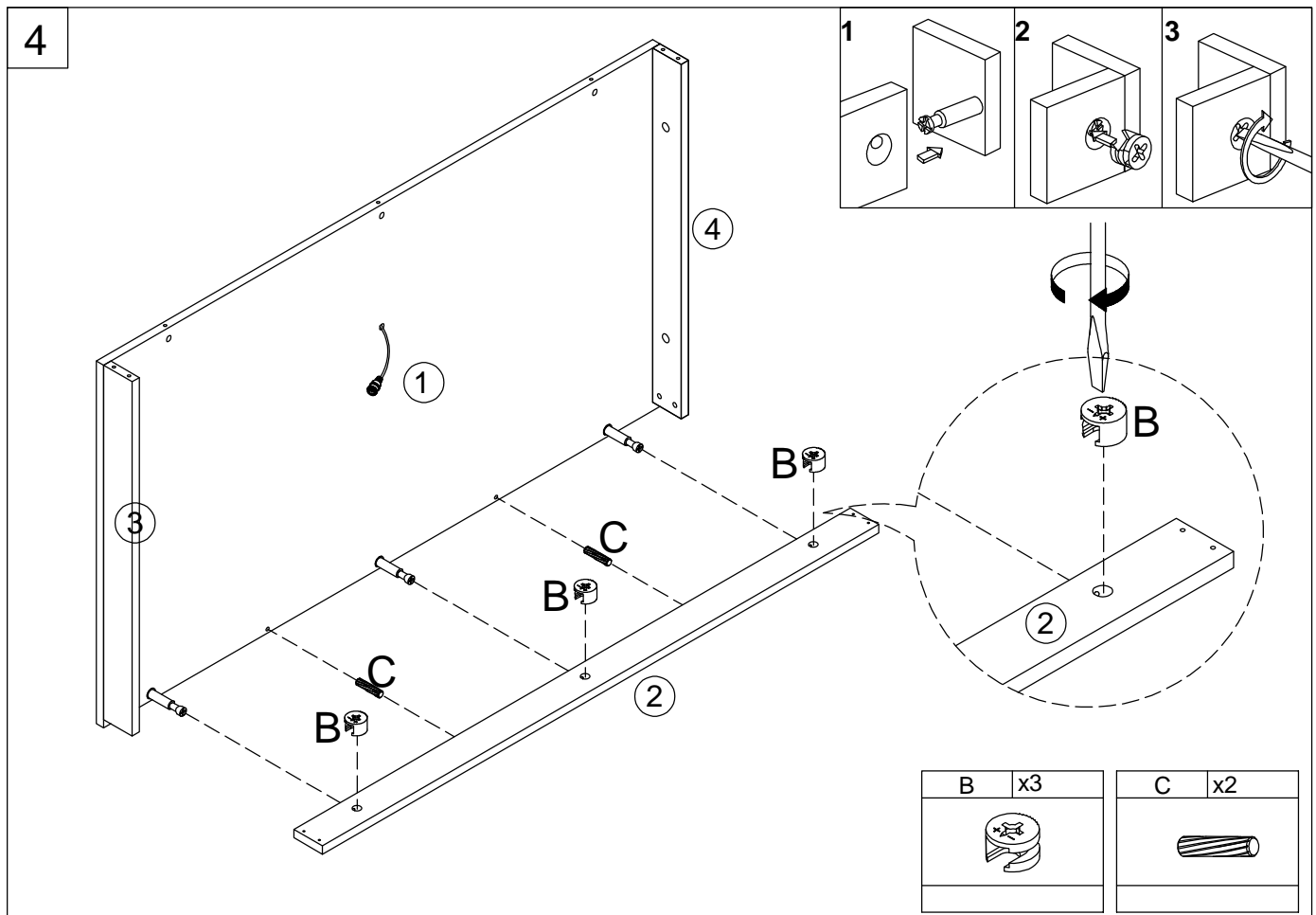
A	x54 +2(spare)	B	x54 +2(spare)	C	x38 +2(spare)	D	x47 +2(spare)	E	x84 +2(spare)	F	x7
Ø6x35mm		Ø15x10mm		Ø6x30mm		Ø4x35mm		Ø3x12mm		Ø6x50mm	
G	x7	H	x7	I	x2	J	x2	K	x8	L	x1
						Ø4x14mm		Ø3x16mm			
M	x1	N	x2	O	x2	P	x12	Q	x2	R	x7
		Ø6x30mm						Ø3.5x12mm			
S	x1	T	x1	U	x8	CL	x6	CR	x6	DL	x6
				Ø15mm		L300mm		L300mm		L300mm	
DR	x6	CL	x1	CR	x1	DL	x1	DR	x1		
L300mm		L350mm		L350mm		L350mm		L350mm			

1

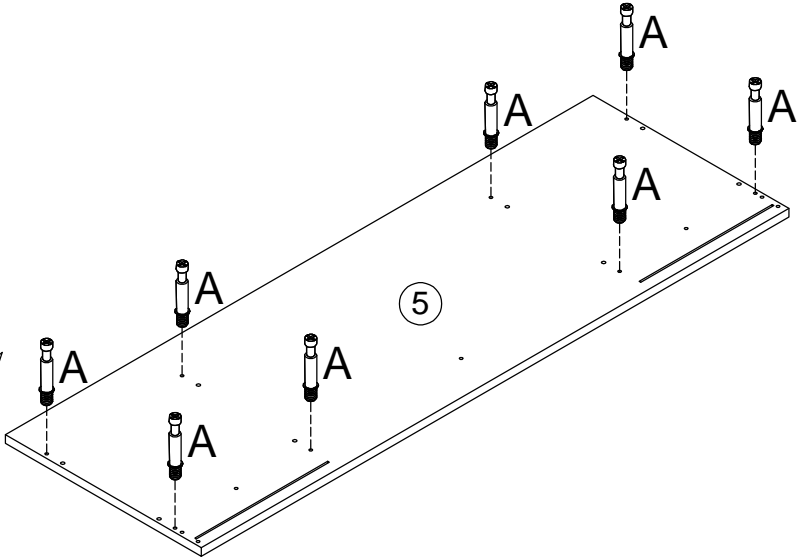
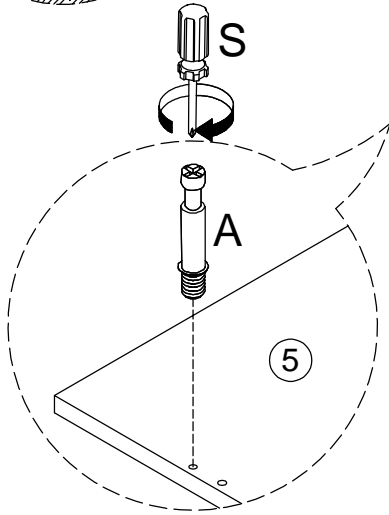
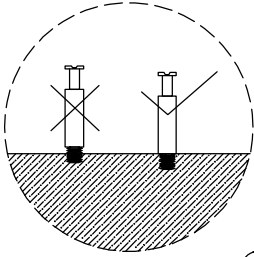



A	x7	S	x1






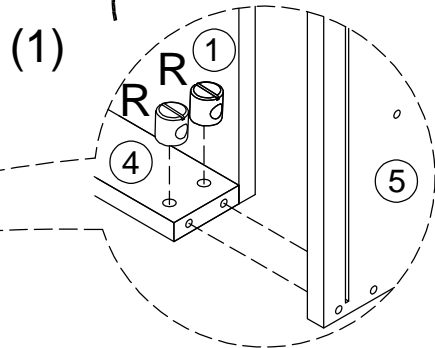
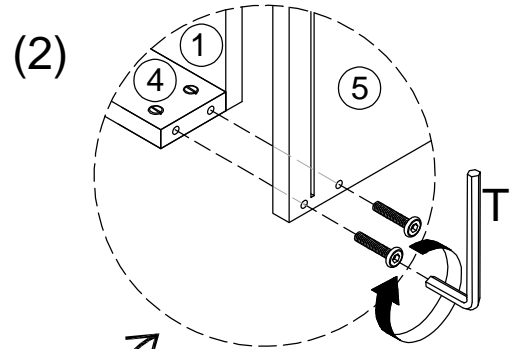
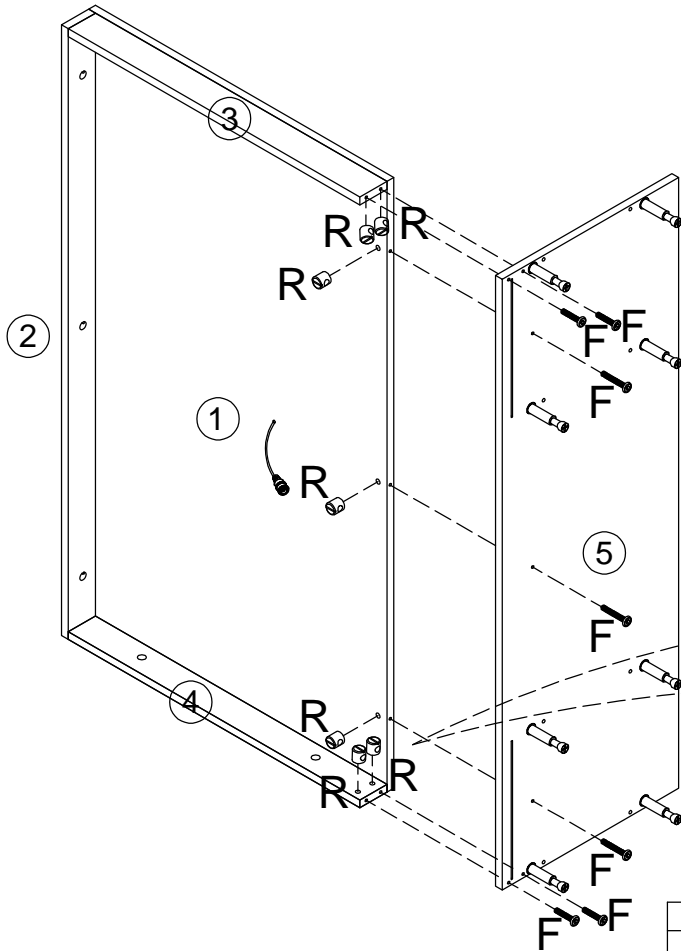
6





A	x8
	


S	x1
	

7

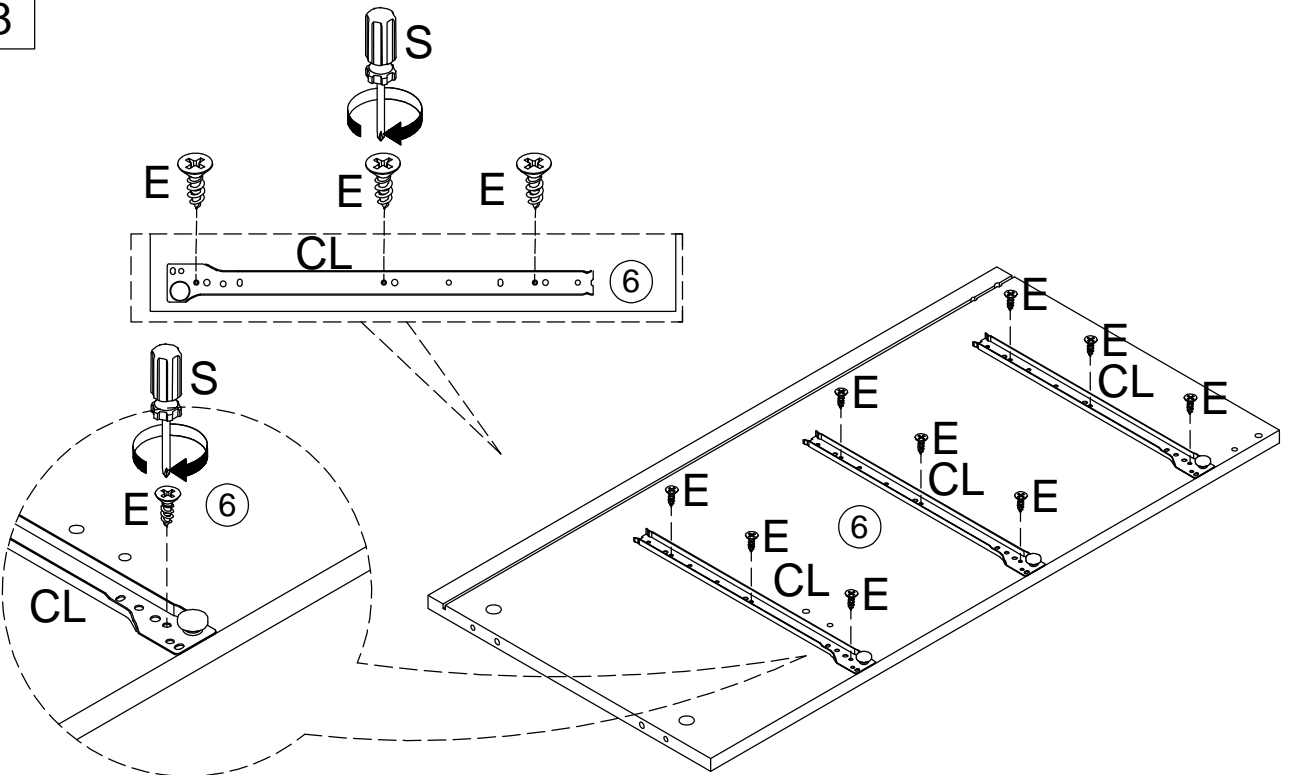


F	x7
	



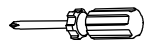
R	x7
	

T	x1
	

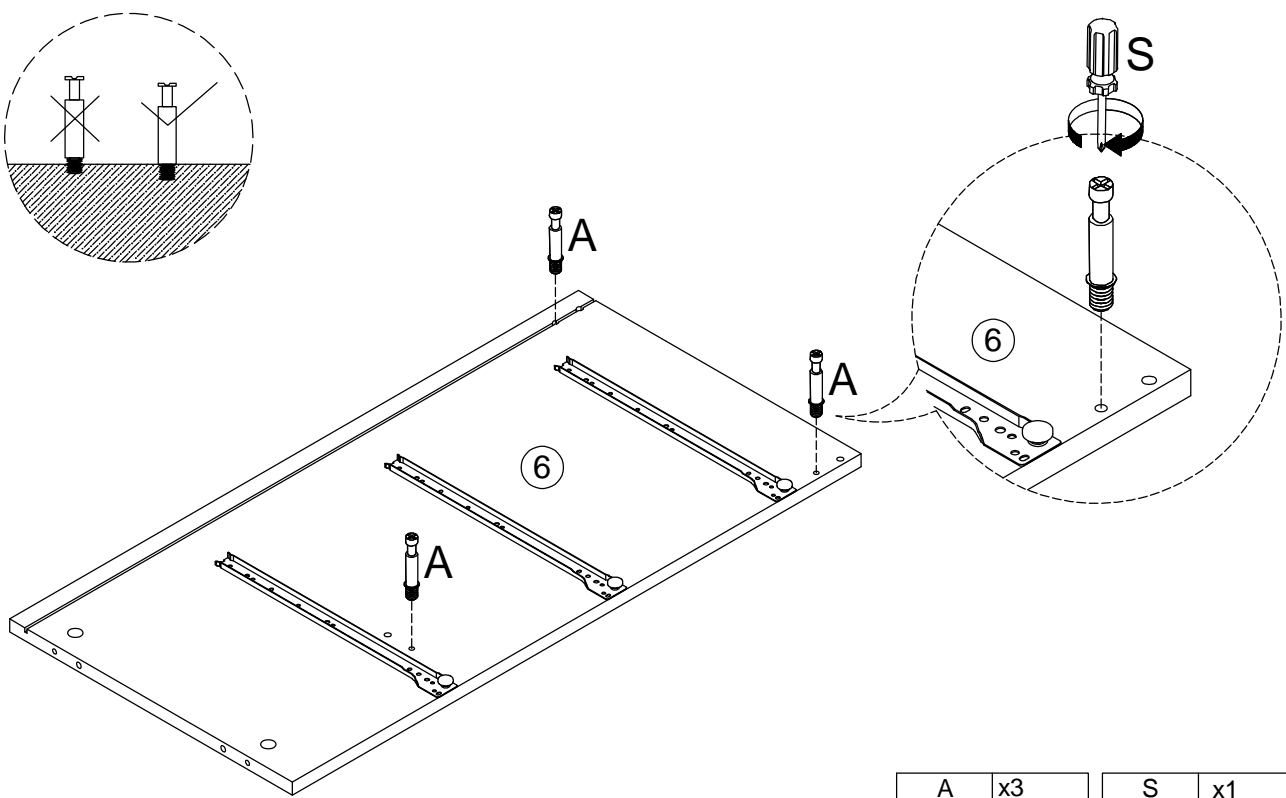
8

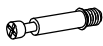
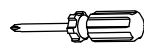


 Attention,
First hole

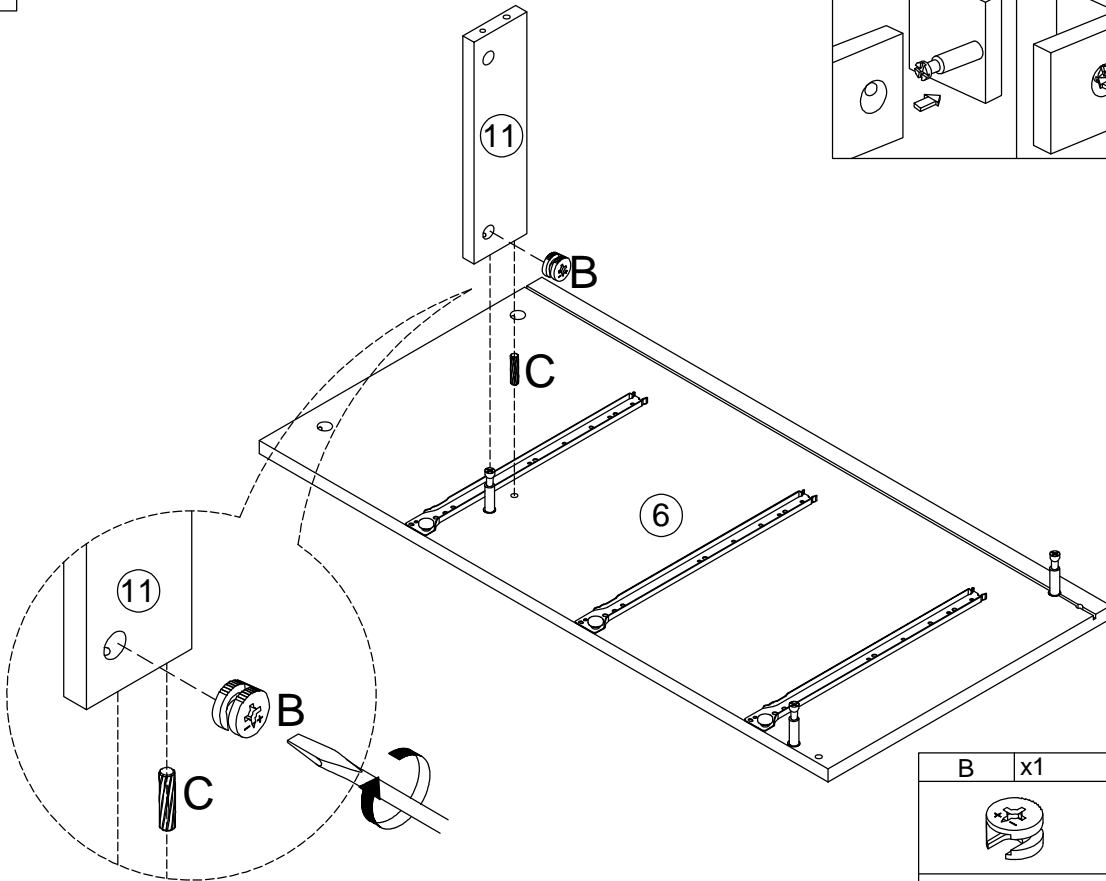
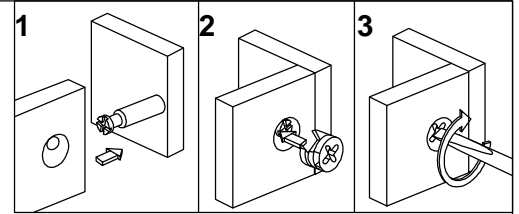
CL	x3	E	x9	S	x1
					
L300mm					



9



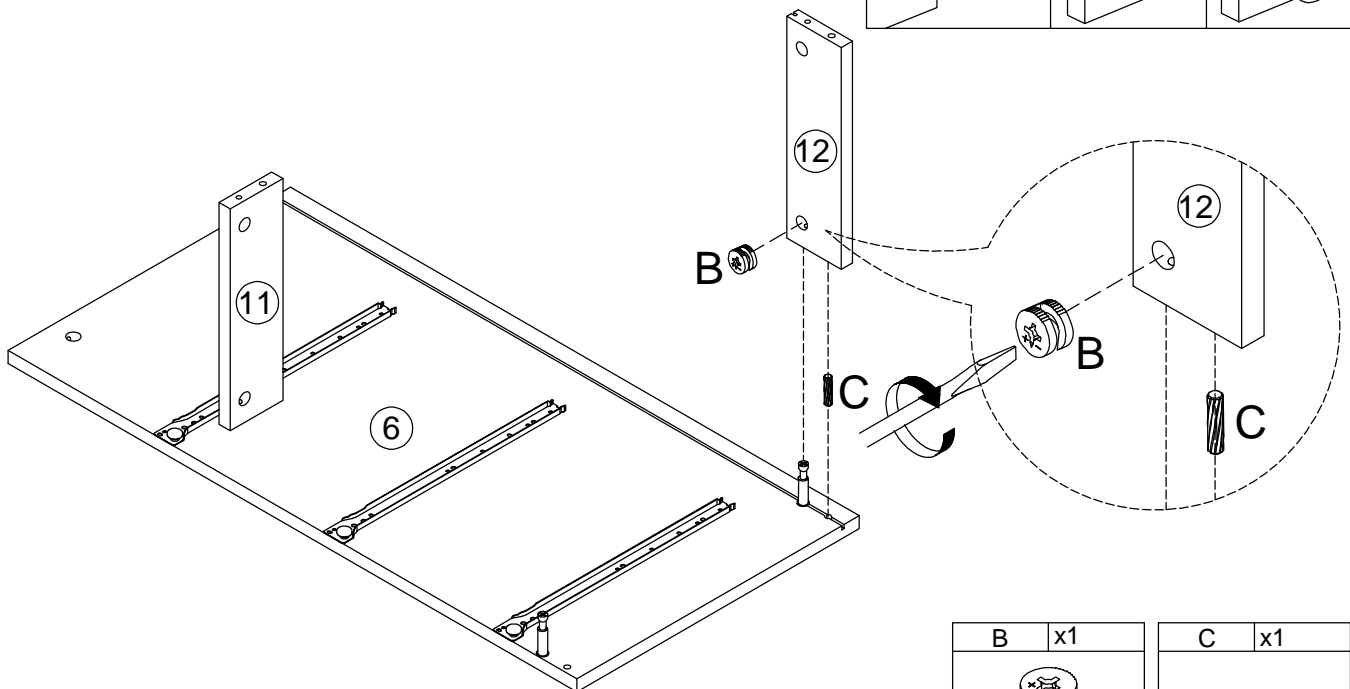
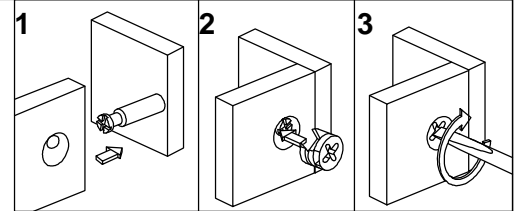
A	x3	S	x1
			



10



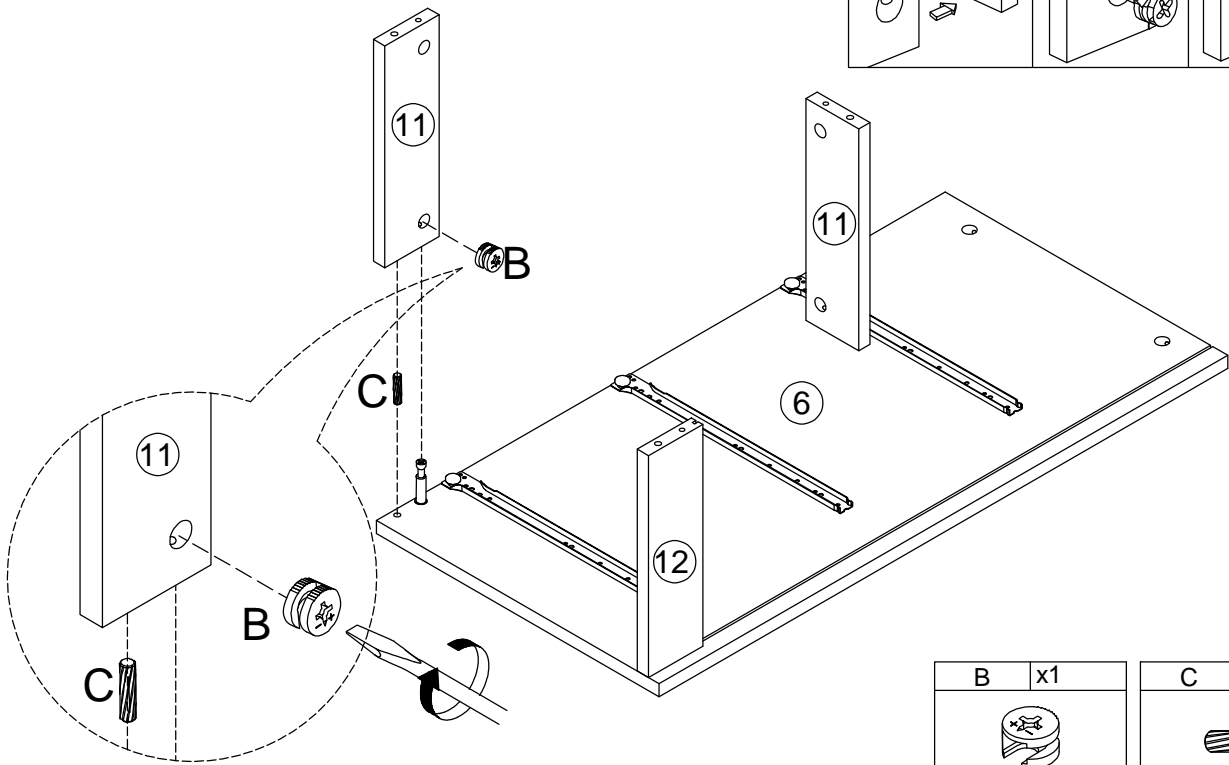
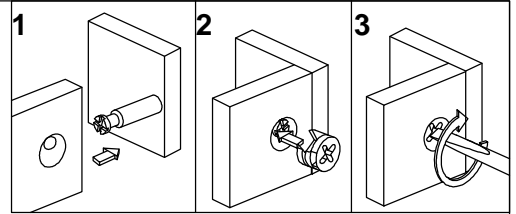
B	x1	C	x1
			



11



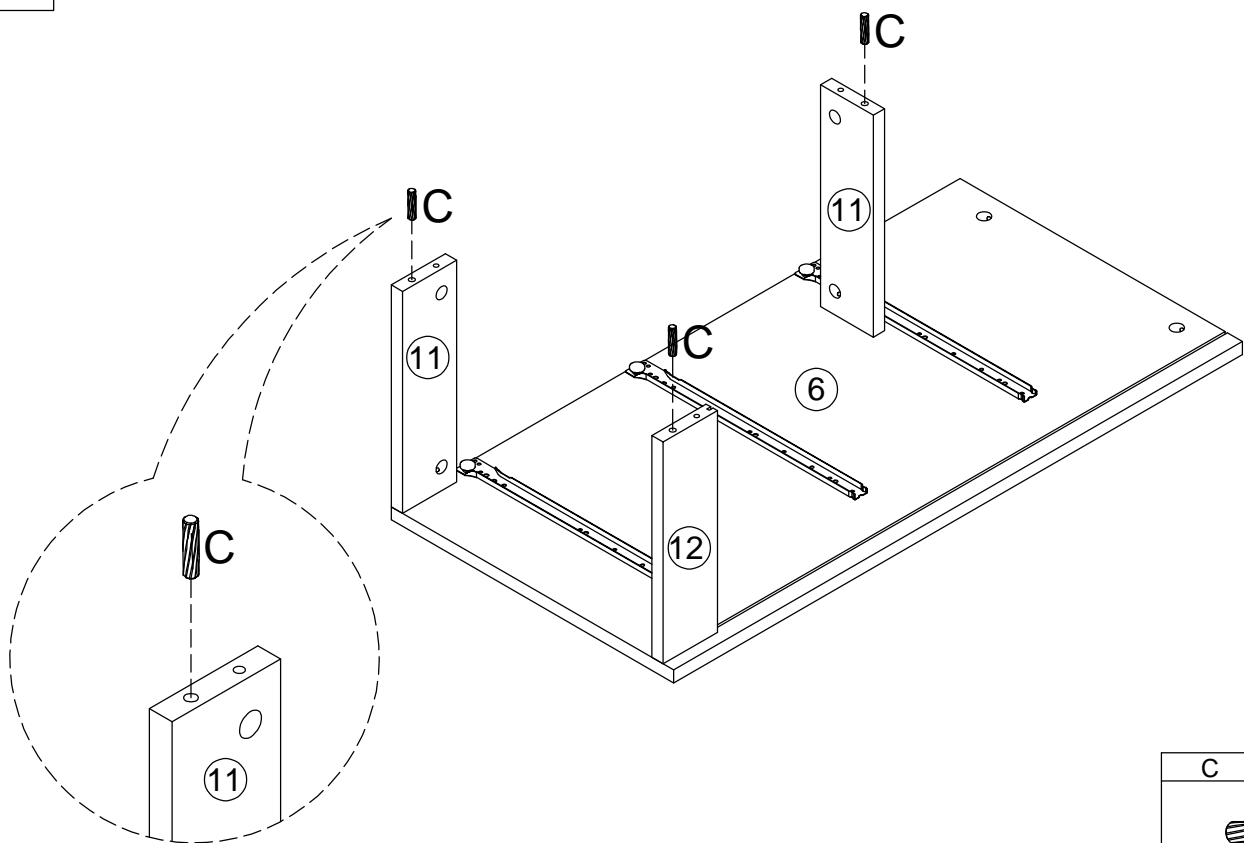
B	x1	C	x1
			


12

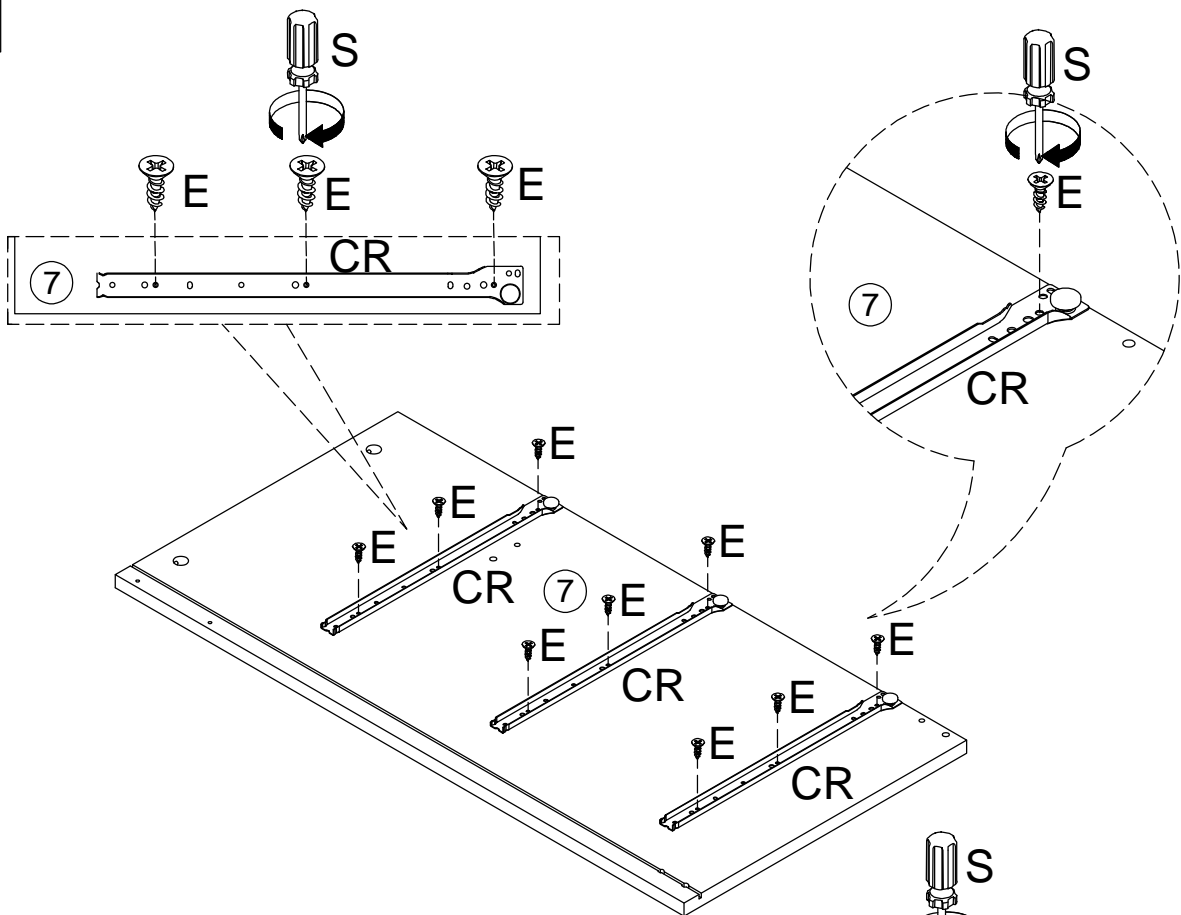


B	x1	C	x1
			

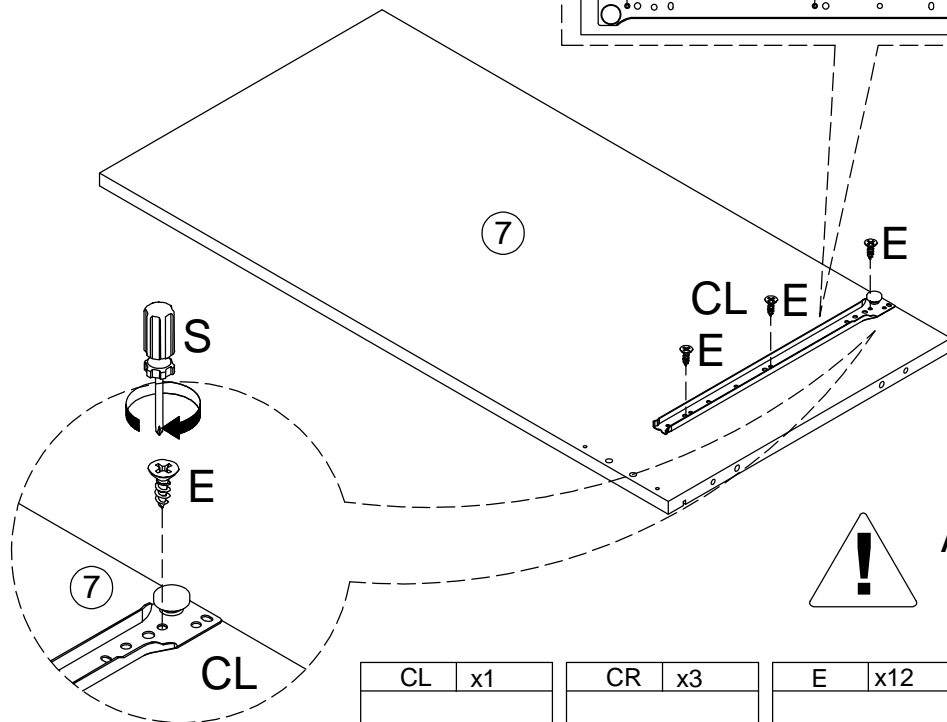
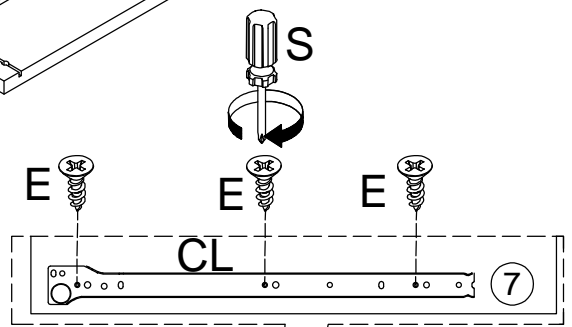
13



C	x3
	



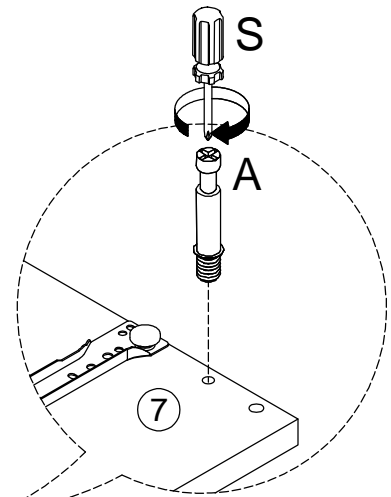
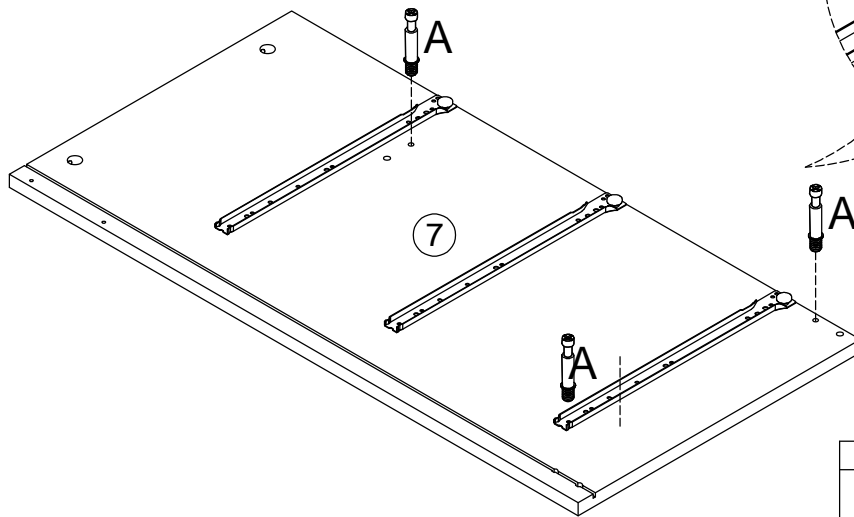
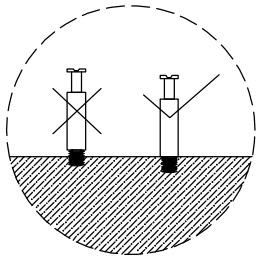
Panel 7 flipped to the other side

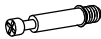



Attention, First hole

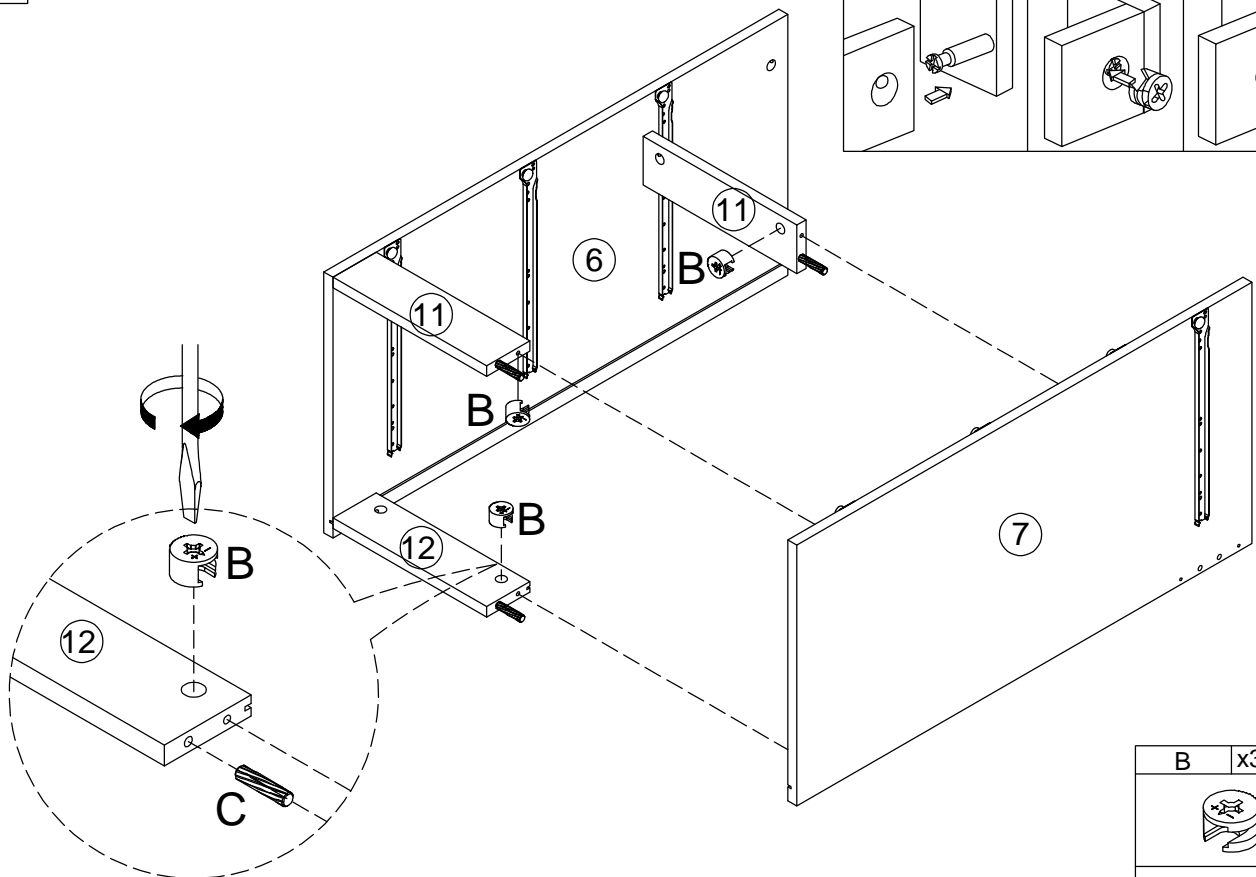
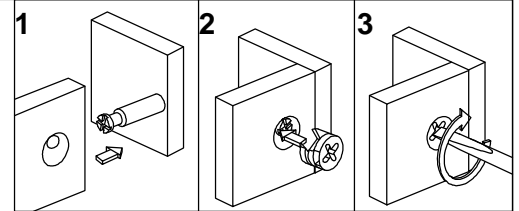
CL	x1	CR	x3	E	x12	S	x1
L350mm		L300mm					


15



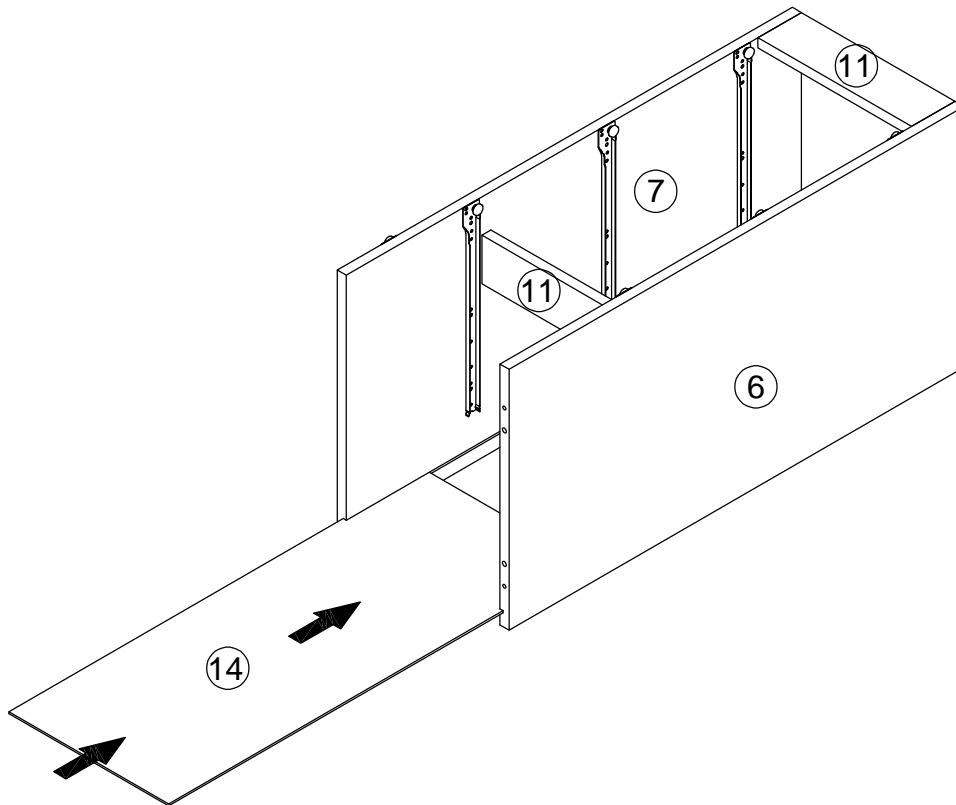
A	x3	S	x1
			

16

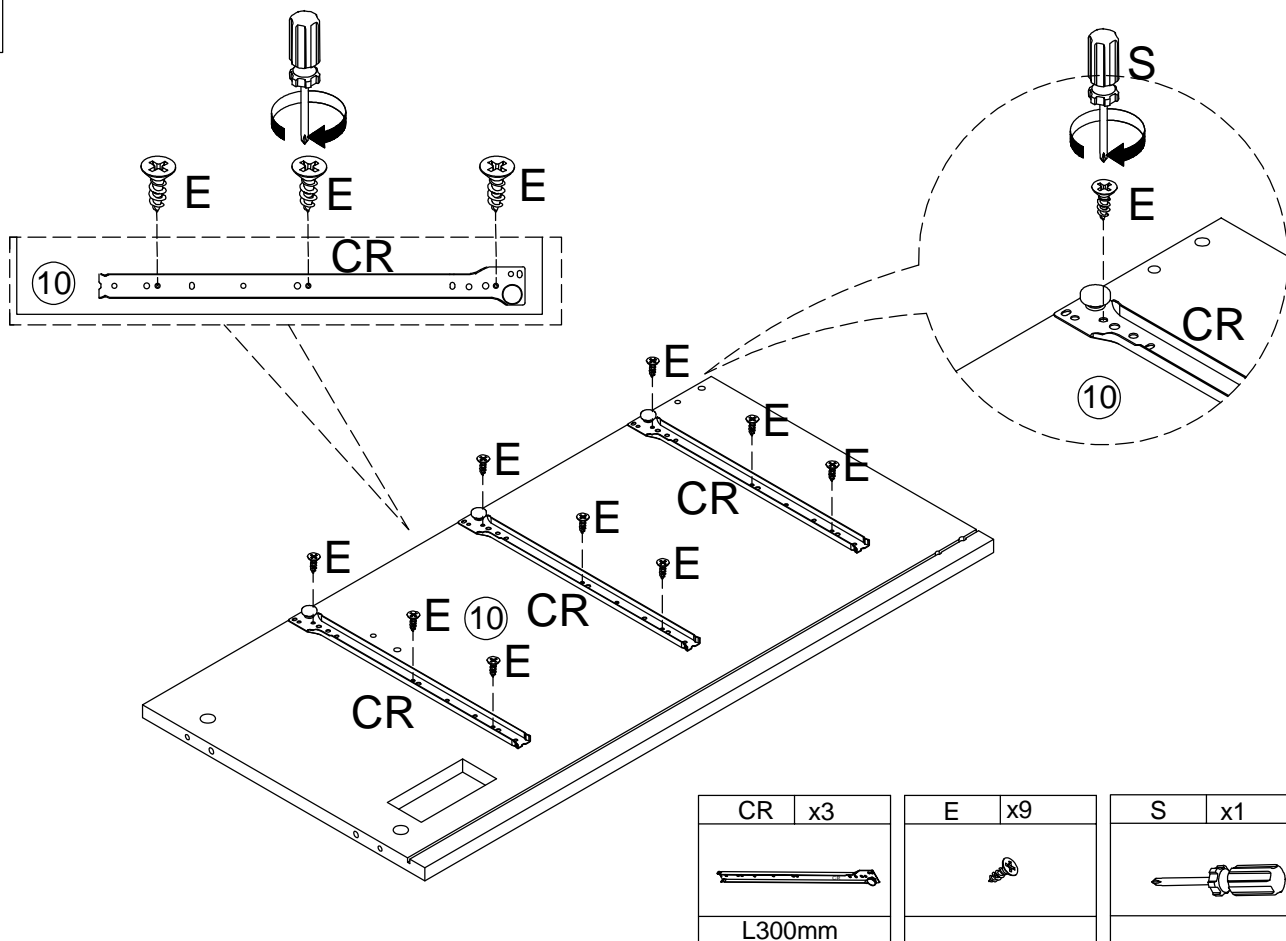


B	x3
	

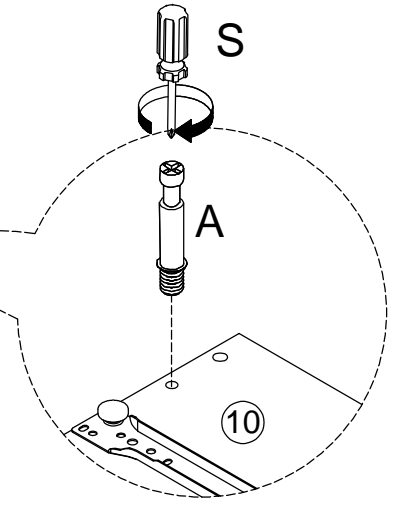
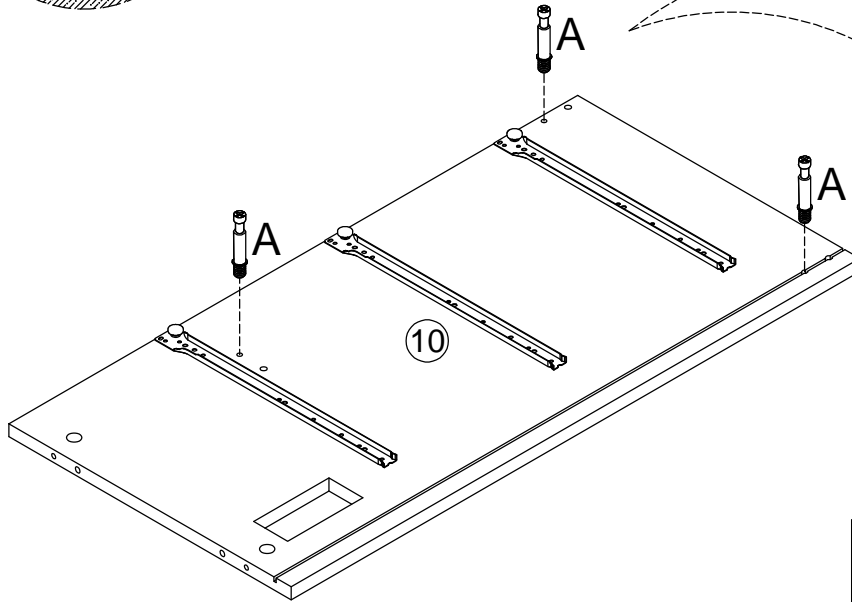
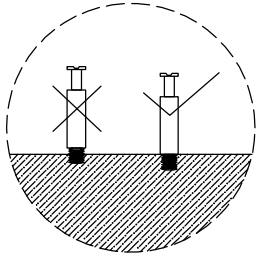
17

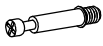
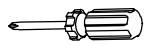


18

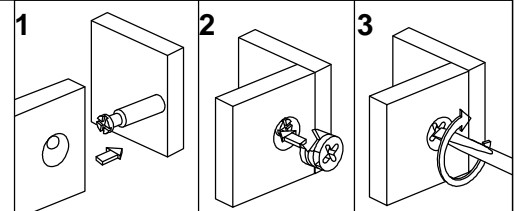
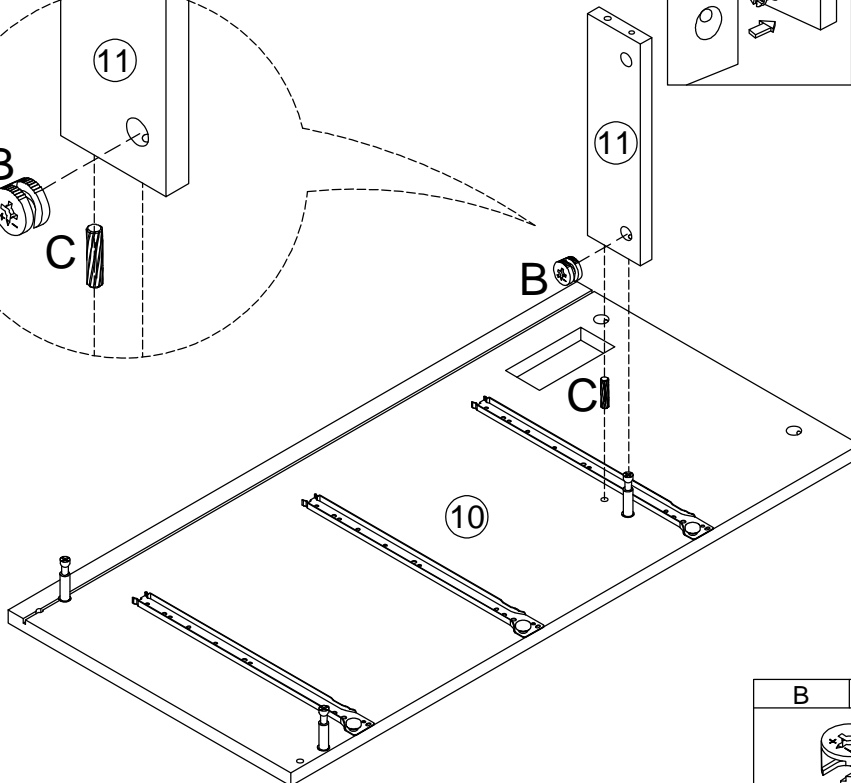
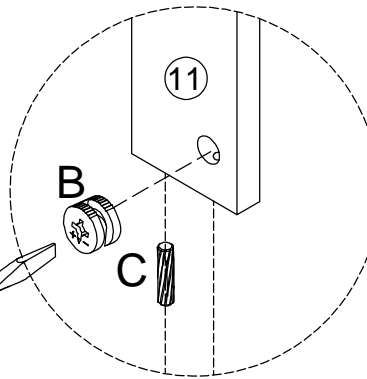




19



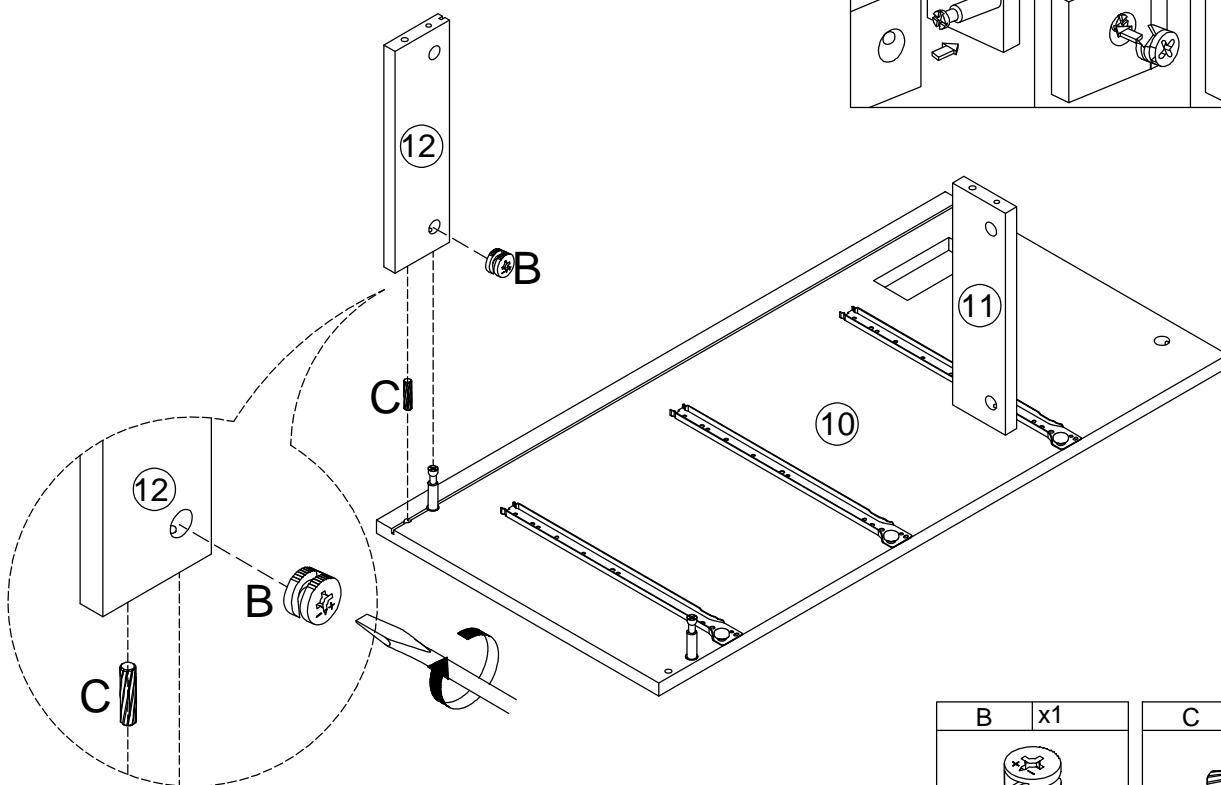
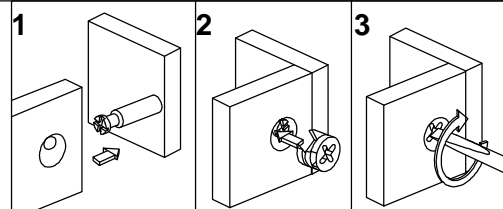
A	x3	S	x1
			



20



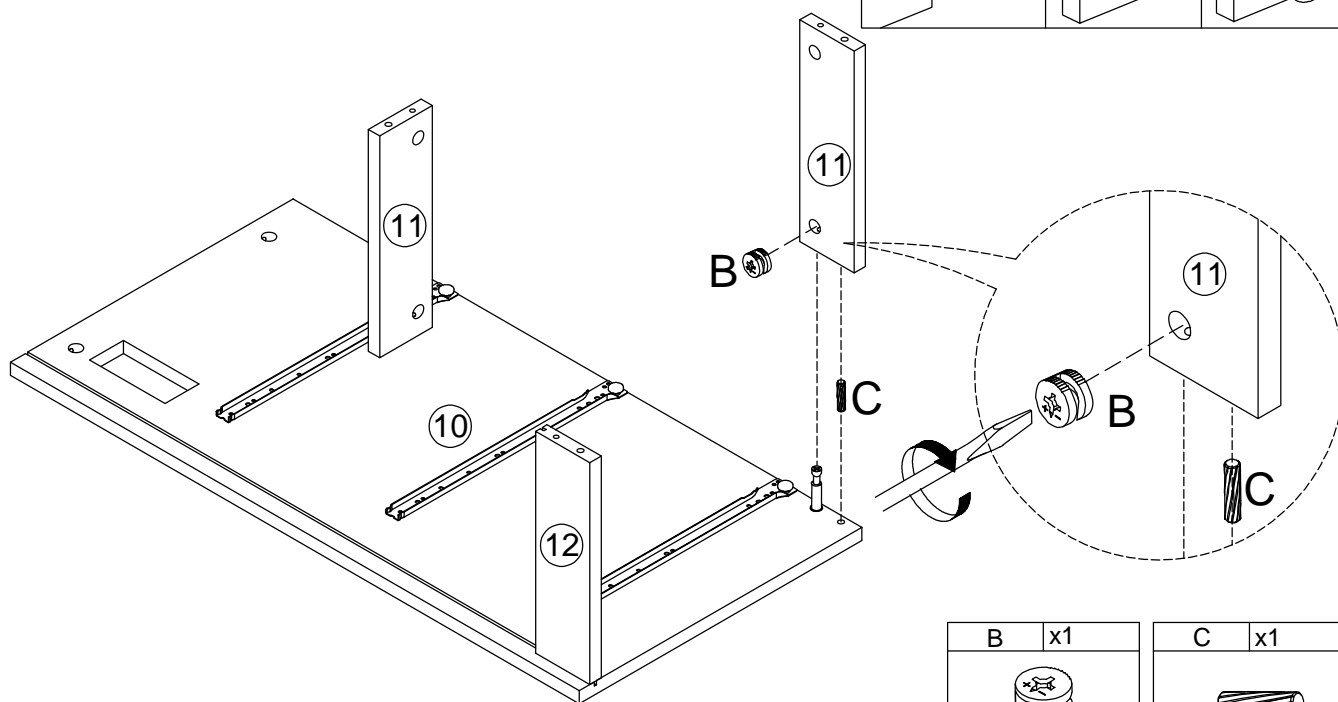
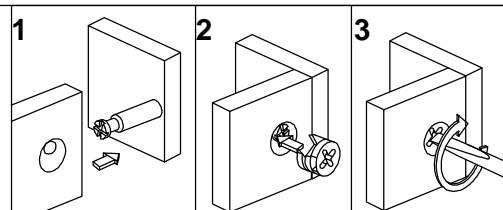
B	x1	C	x1
			



21

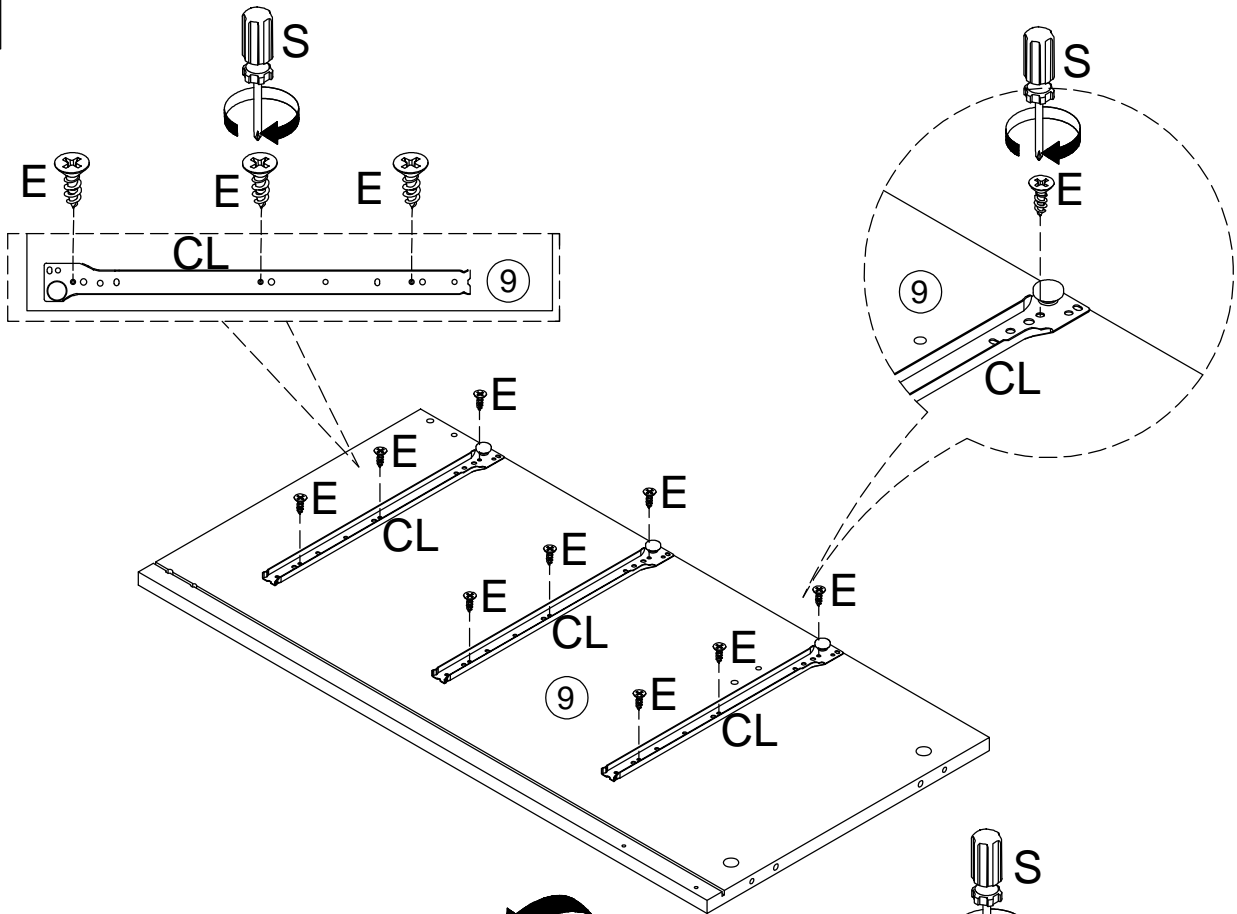


B	x1	C	x1
			

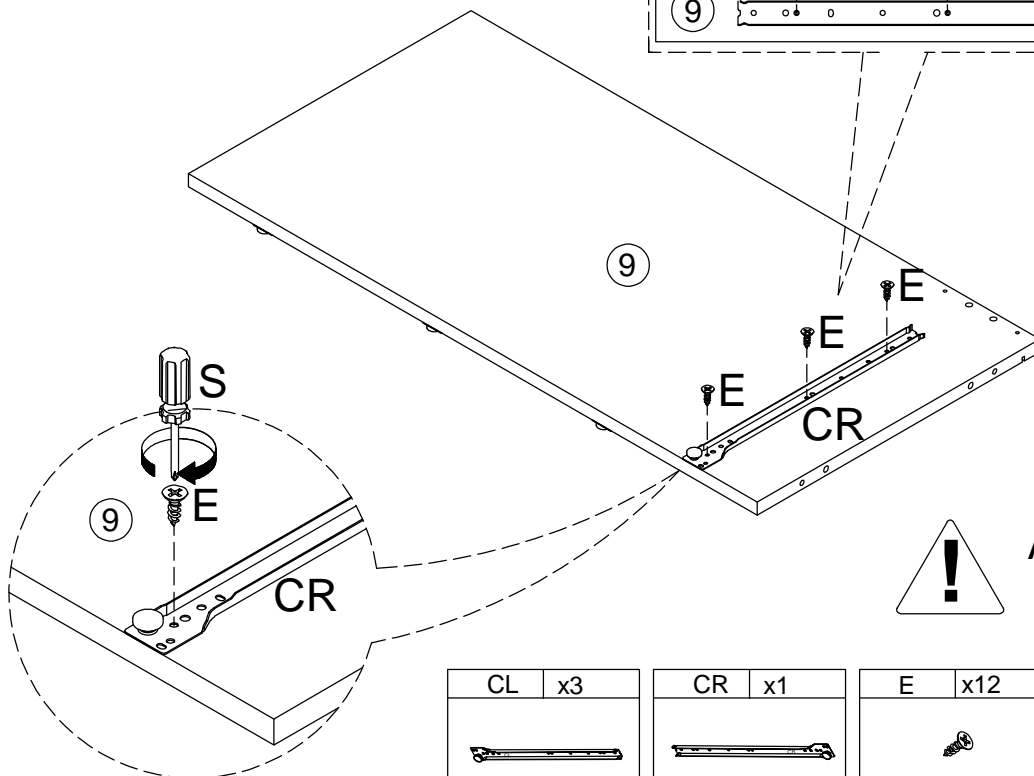
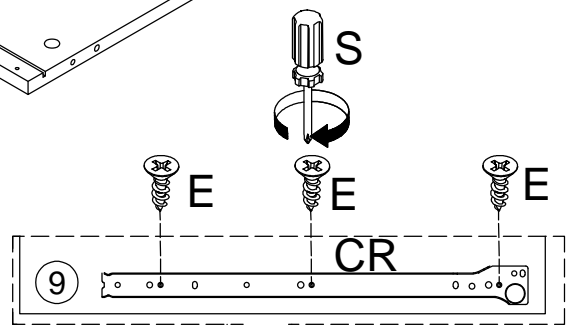
22



B	x1	C	x1
			



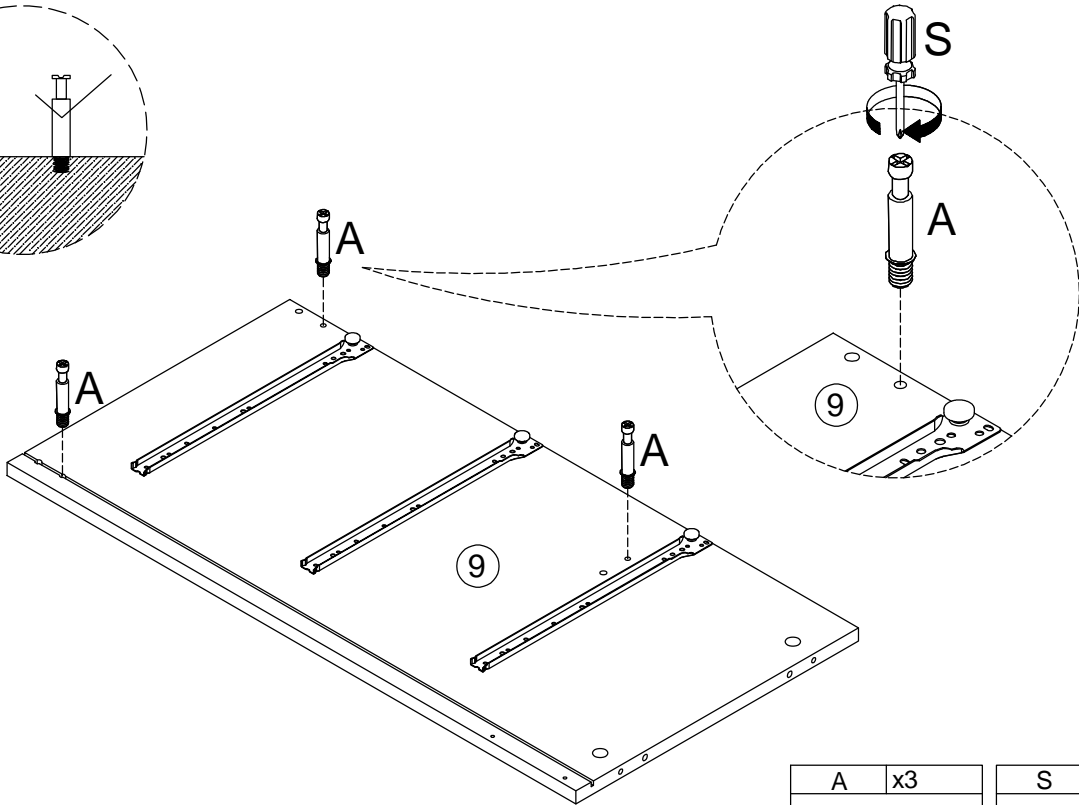
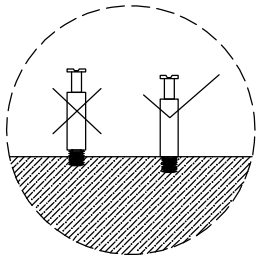
Panel 9 flipped to the other side

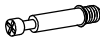



Attention, First hole

CL	x3	CR	x1	E	x12	S	x1
L300mm		L350mm					

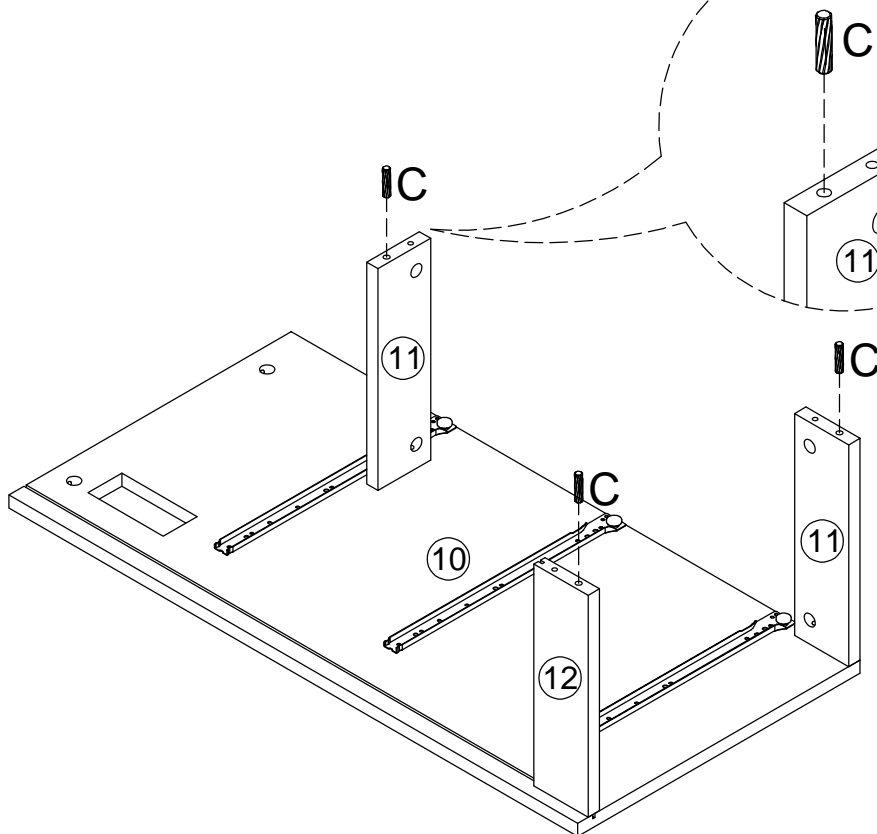
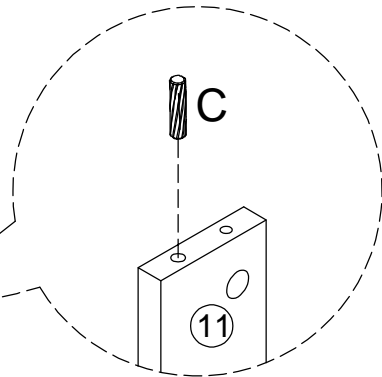
24




A	x3
	

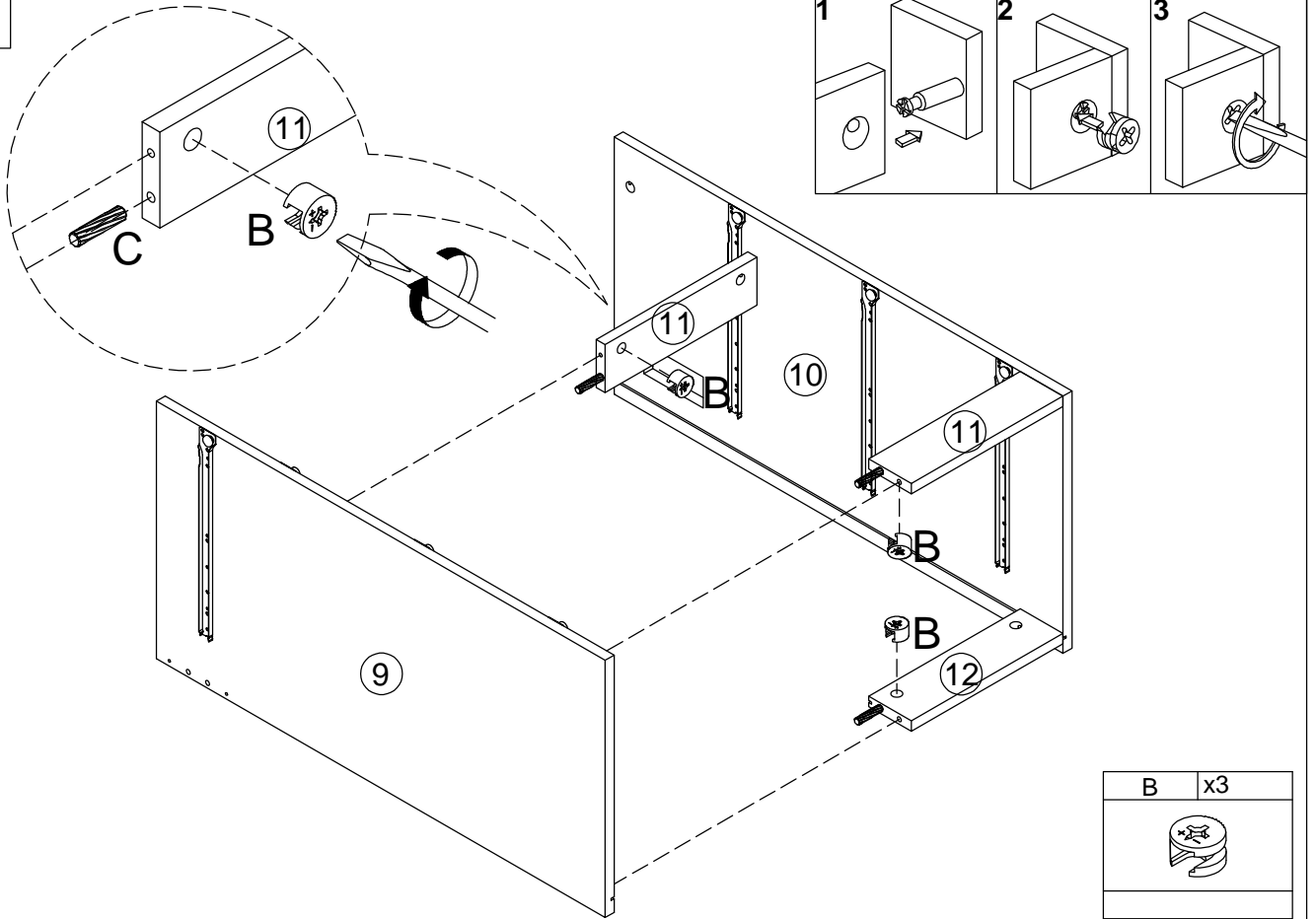
S	x1
	

25

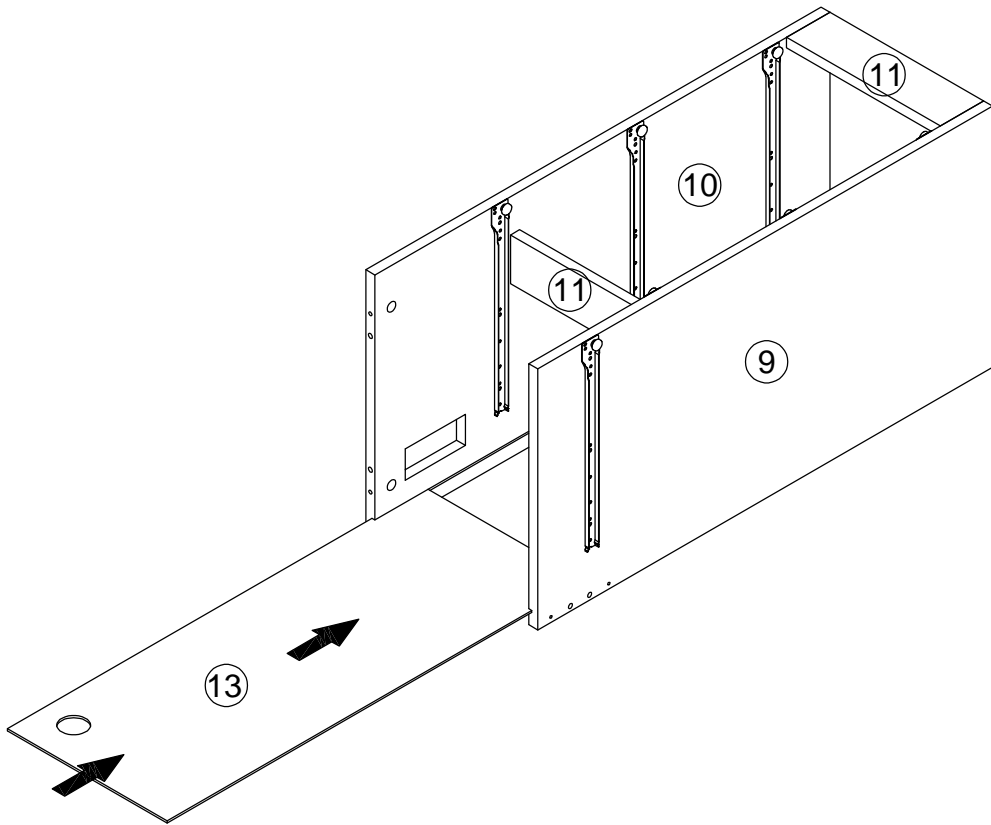


C	x3
	

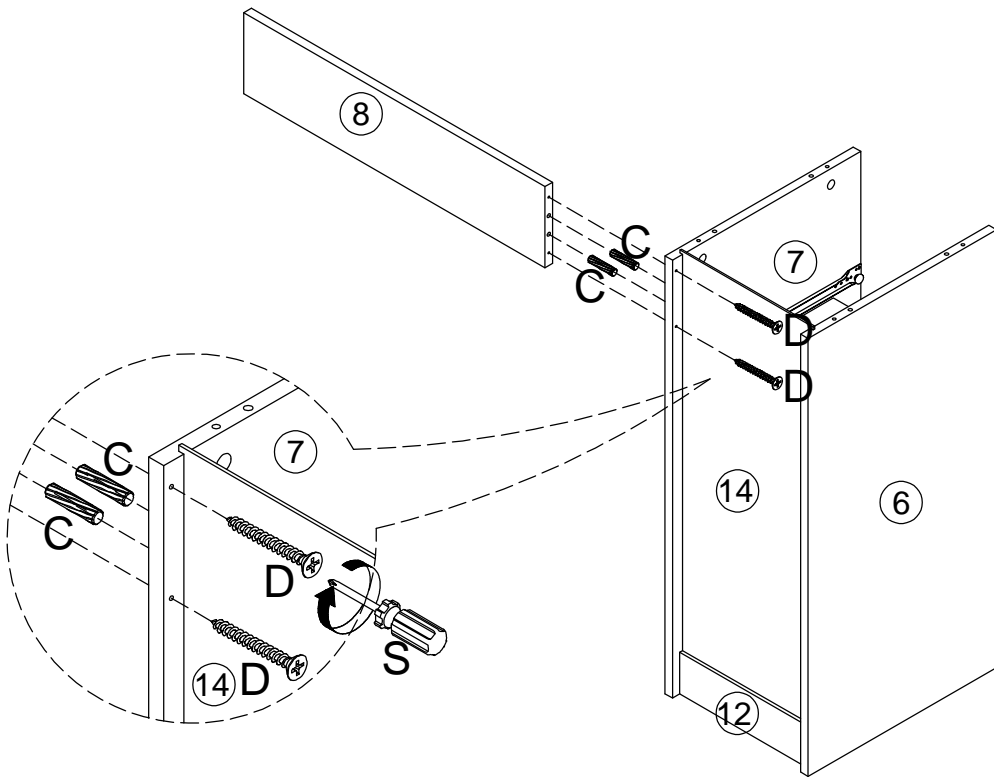
26



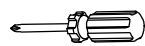


27

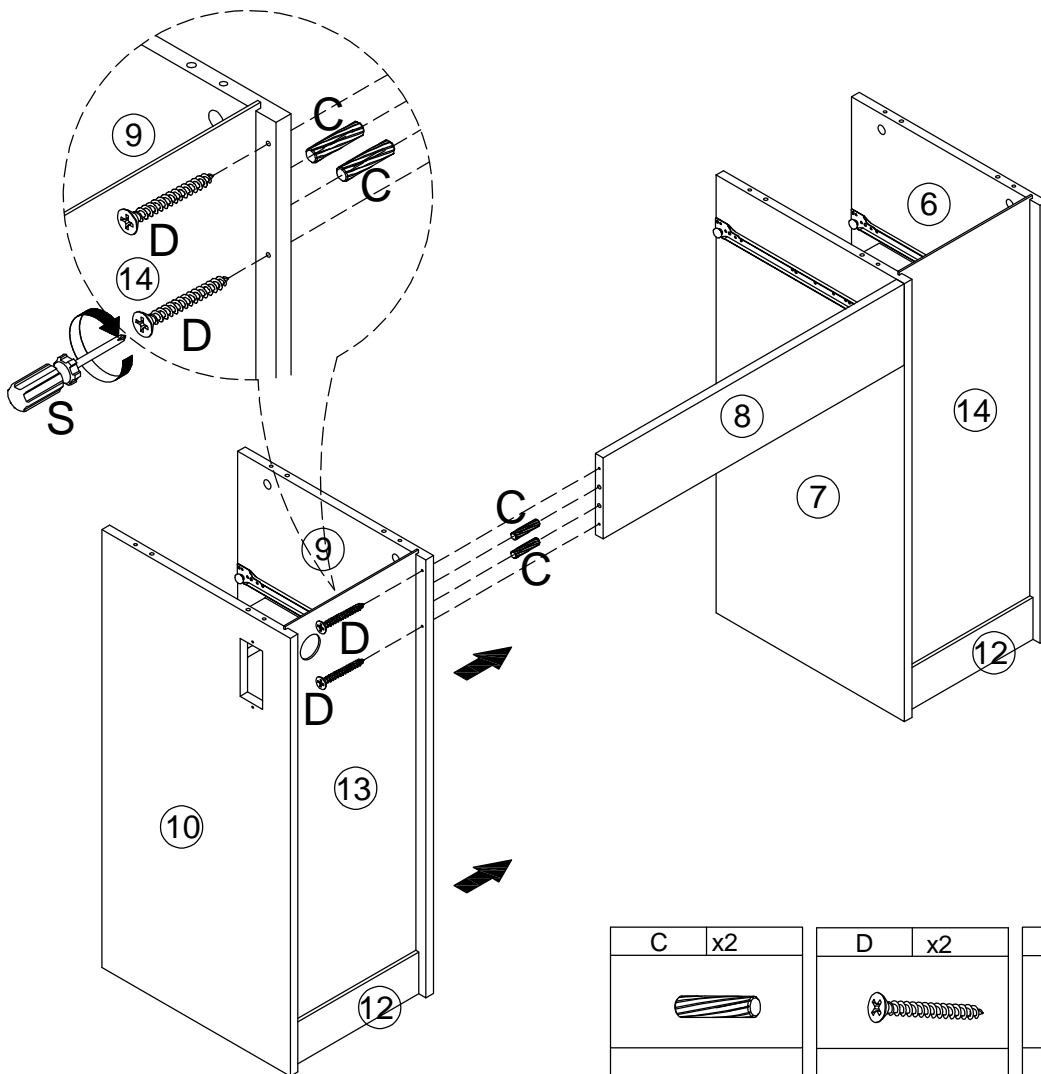




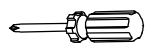
28

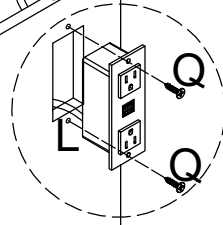
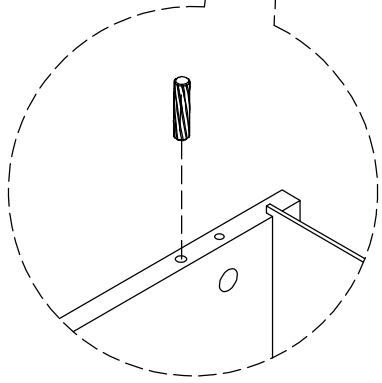
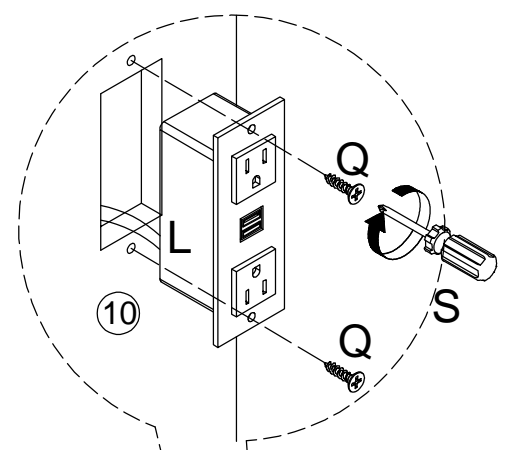
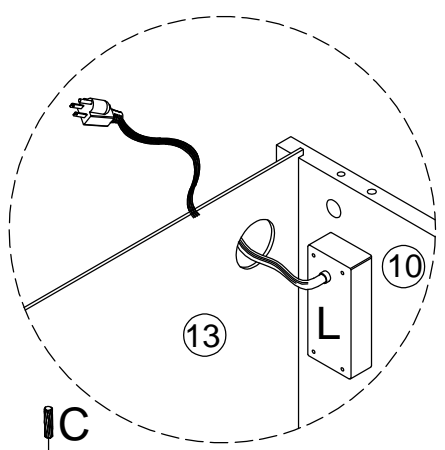
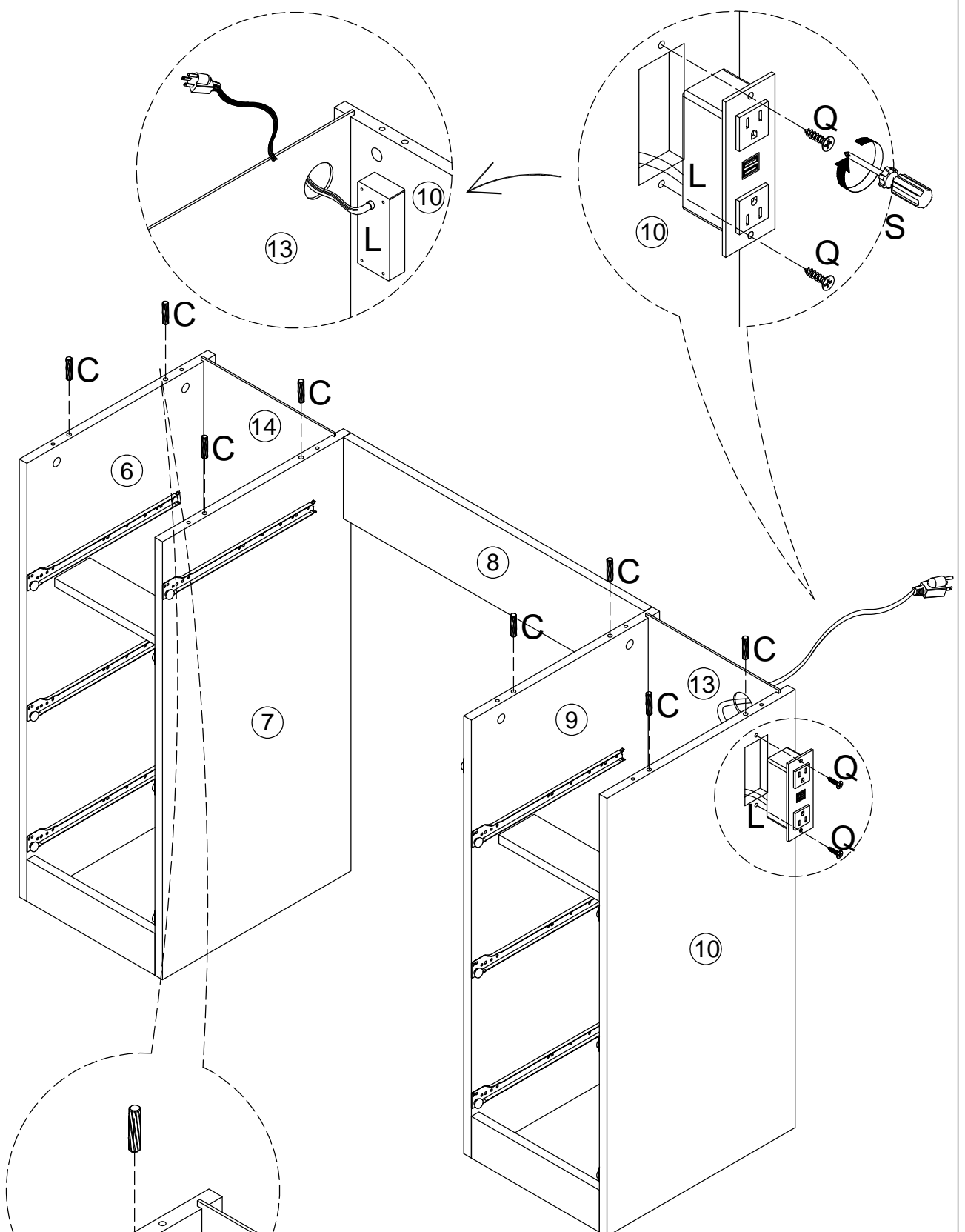



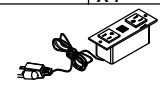

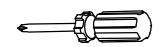
C	x2
	
D	x2
	
S	x1
	

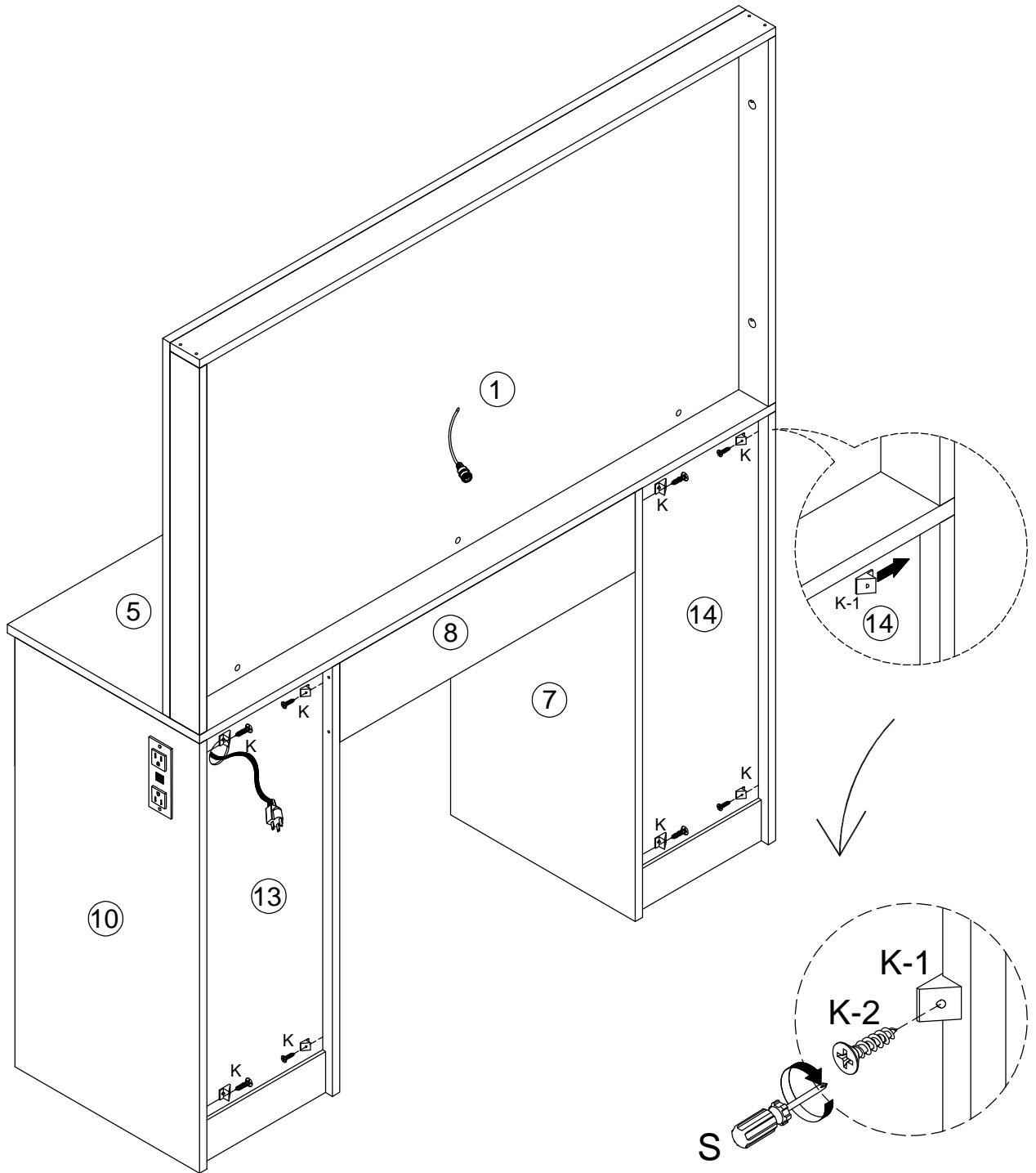
29



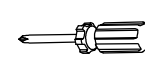


C	x2
	
D	x2
	
S	x1
	

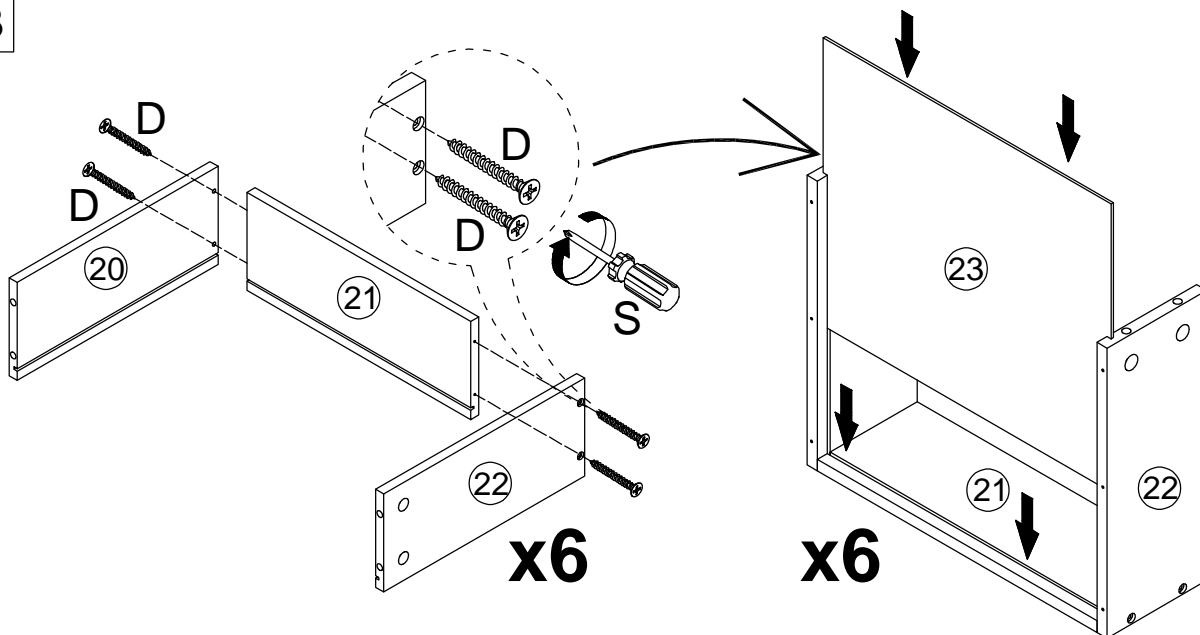


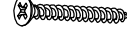

C	x8	L	x1	Q	x2	S	x1
							



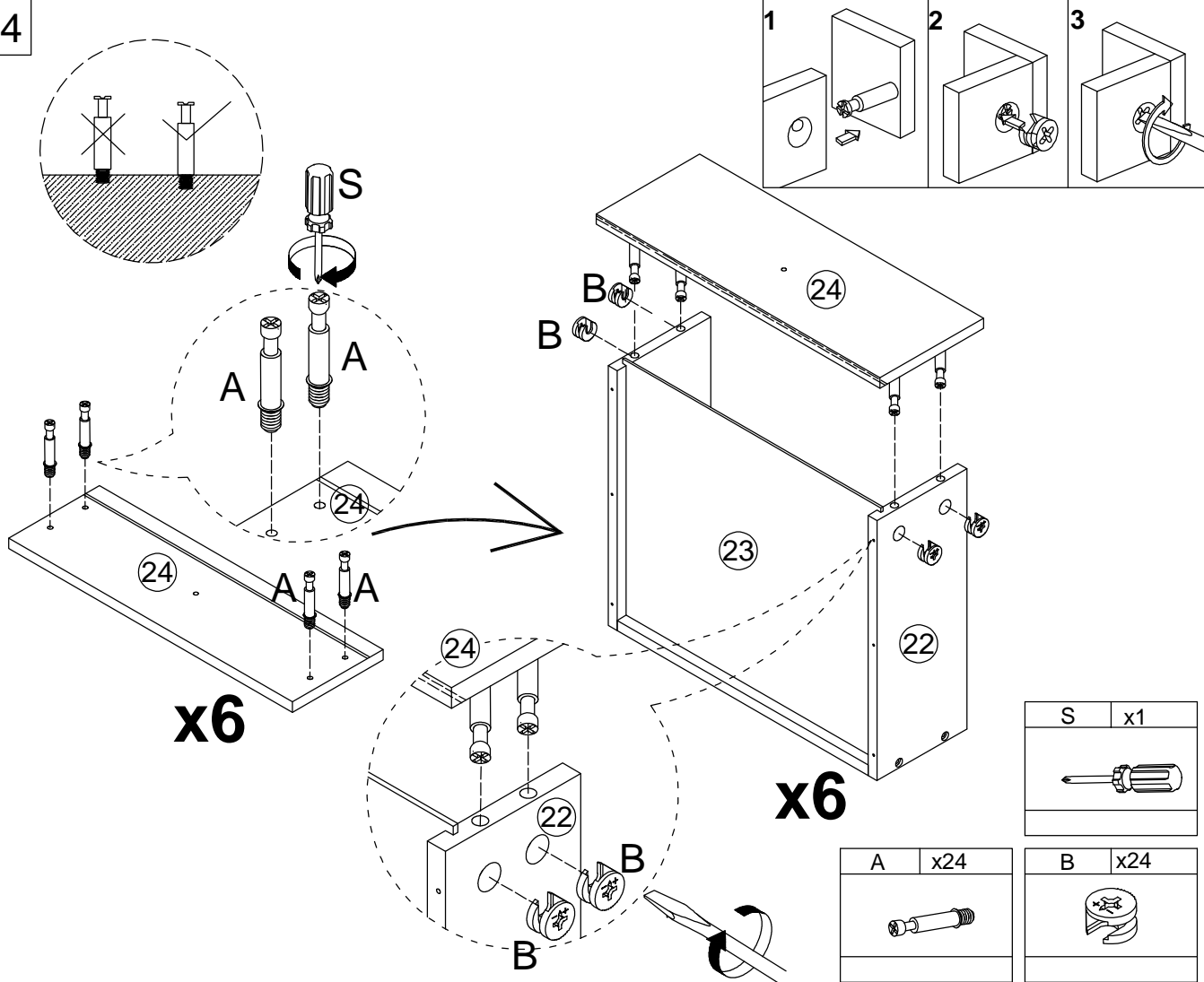
K	x8	S	x1
			
K-1	K-2		




33



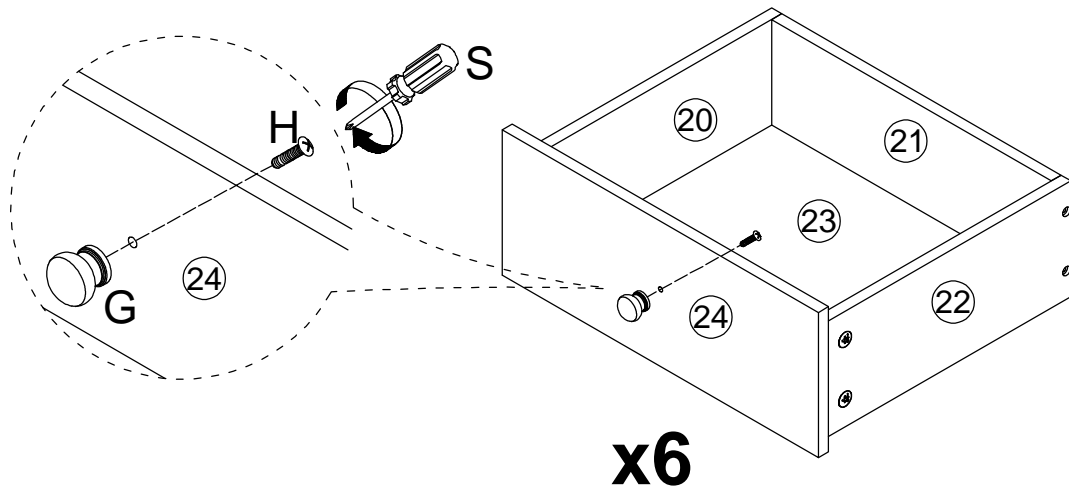
D	x24	S	x1
			



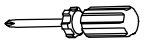
34



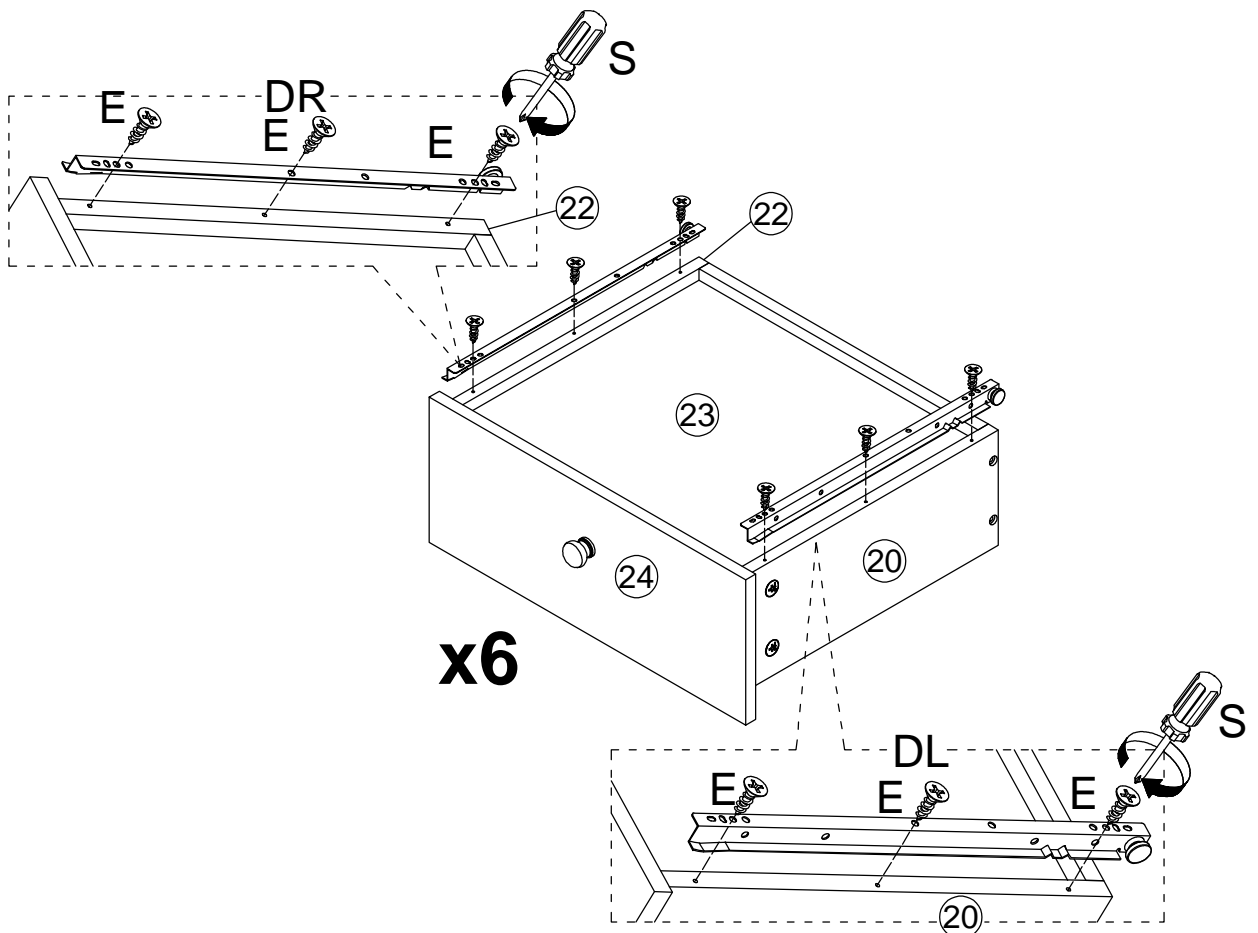
S	x1	A	x24	B	x24
					





35



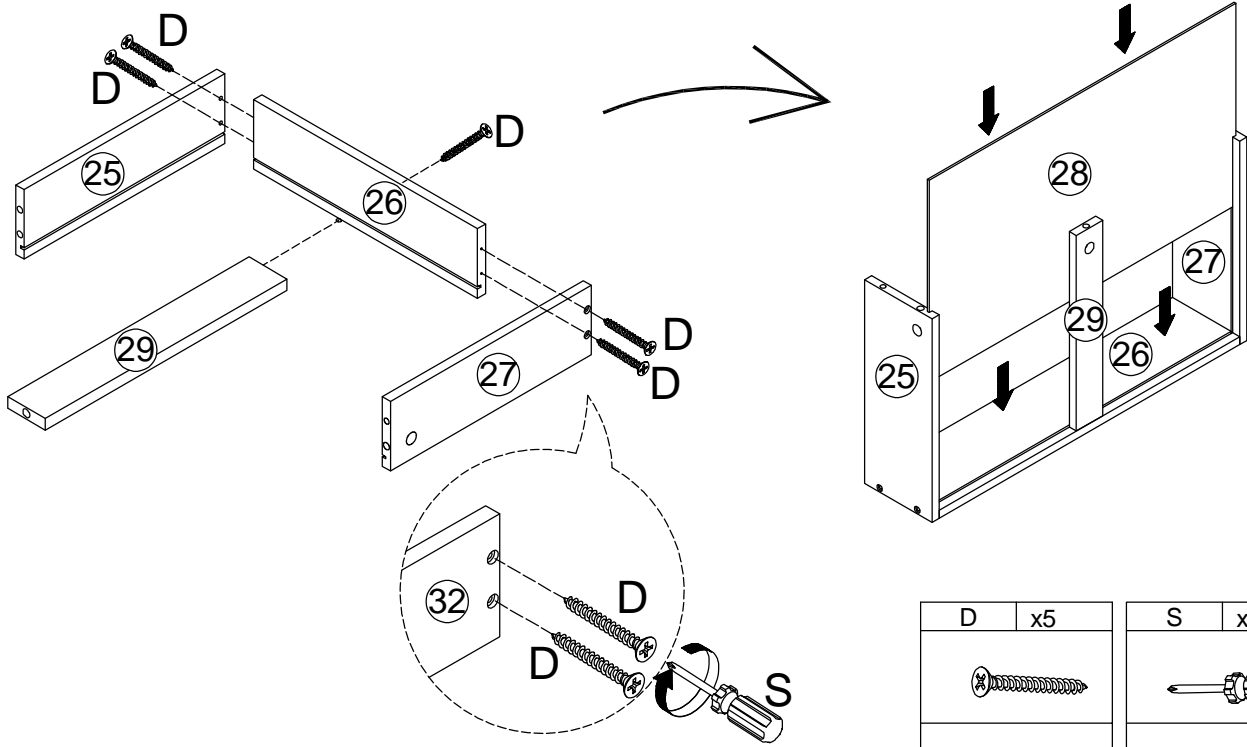
G	x6	H	x6	S	x1
					

36

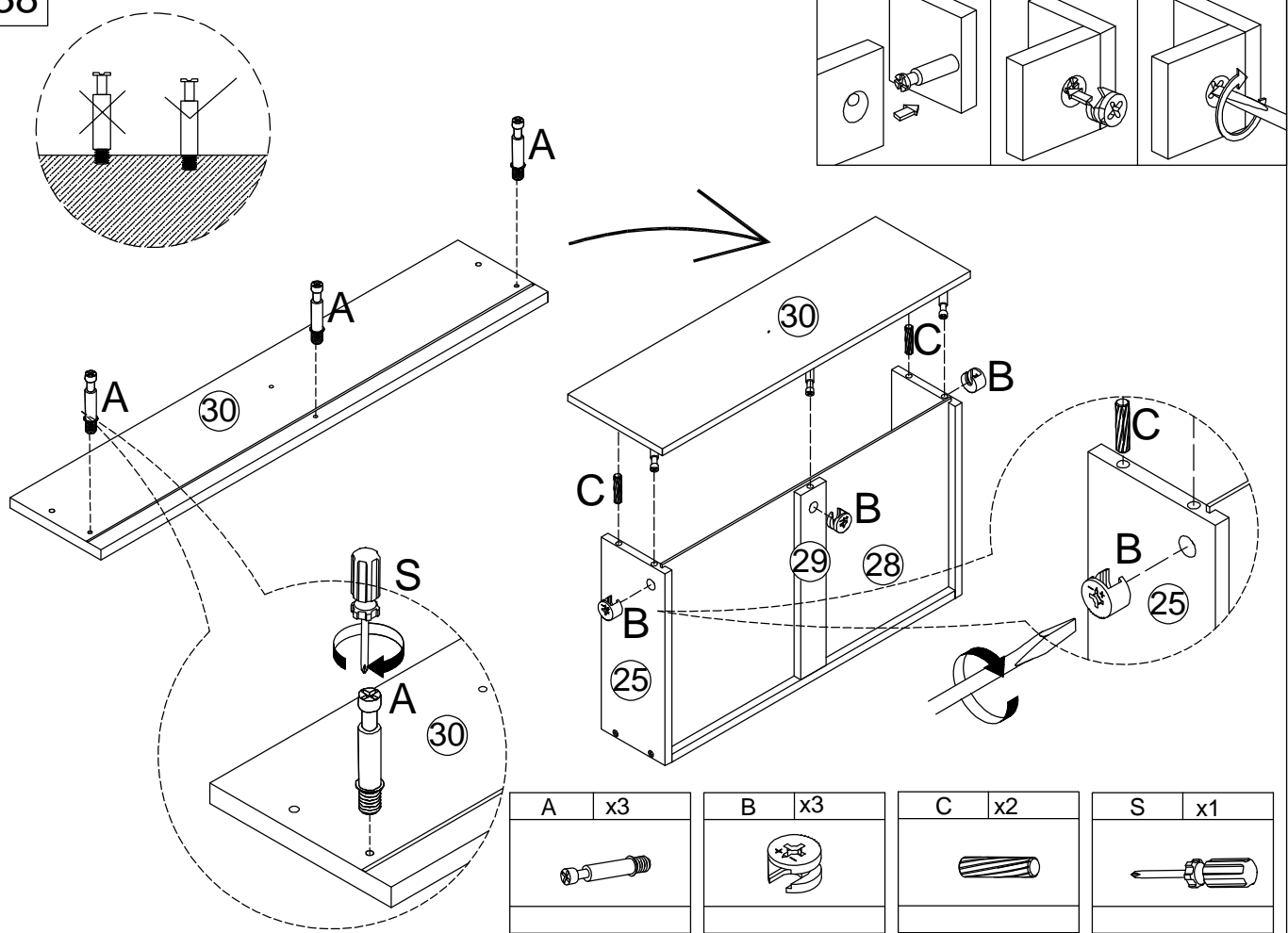


E	x36	DL	x6	DR	x6	S	x1
		 L300mm		 L300mm			

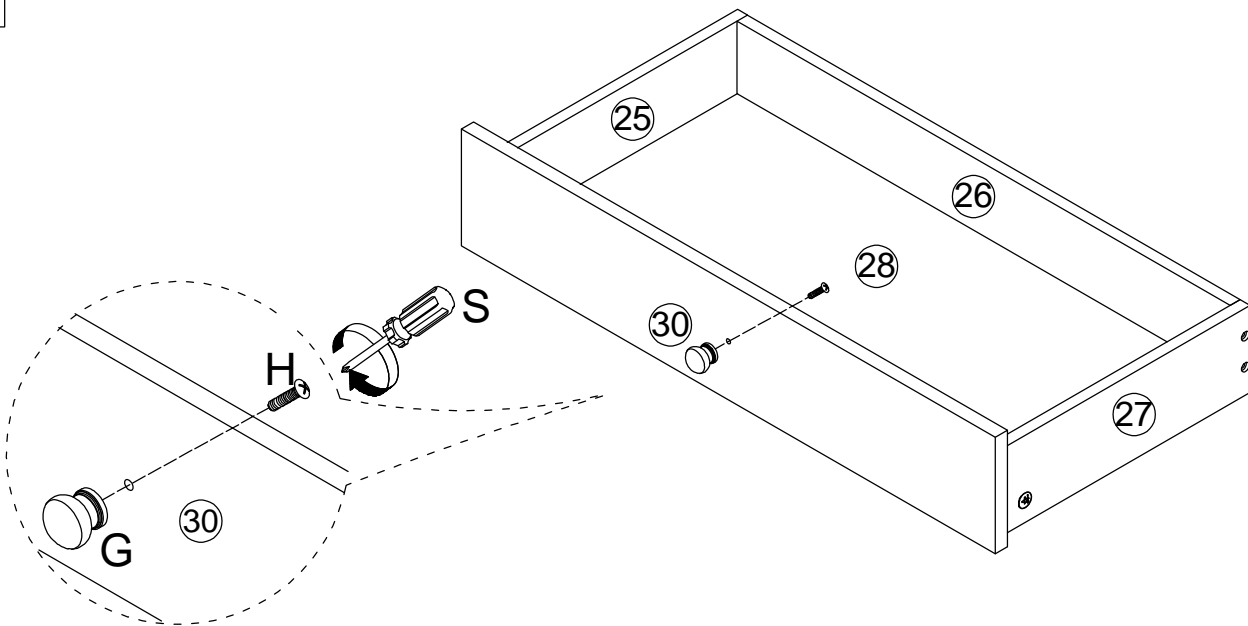
37



38

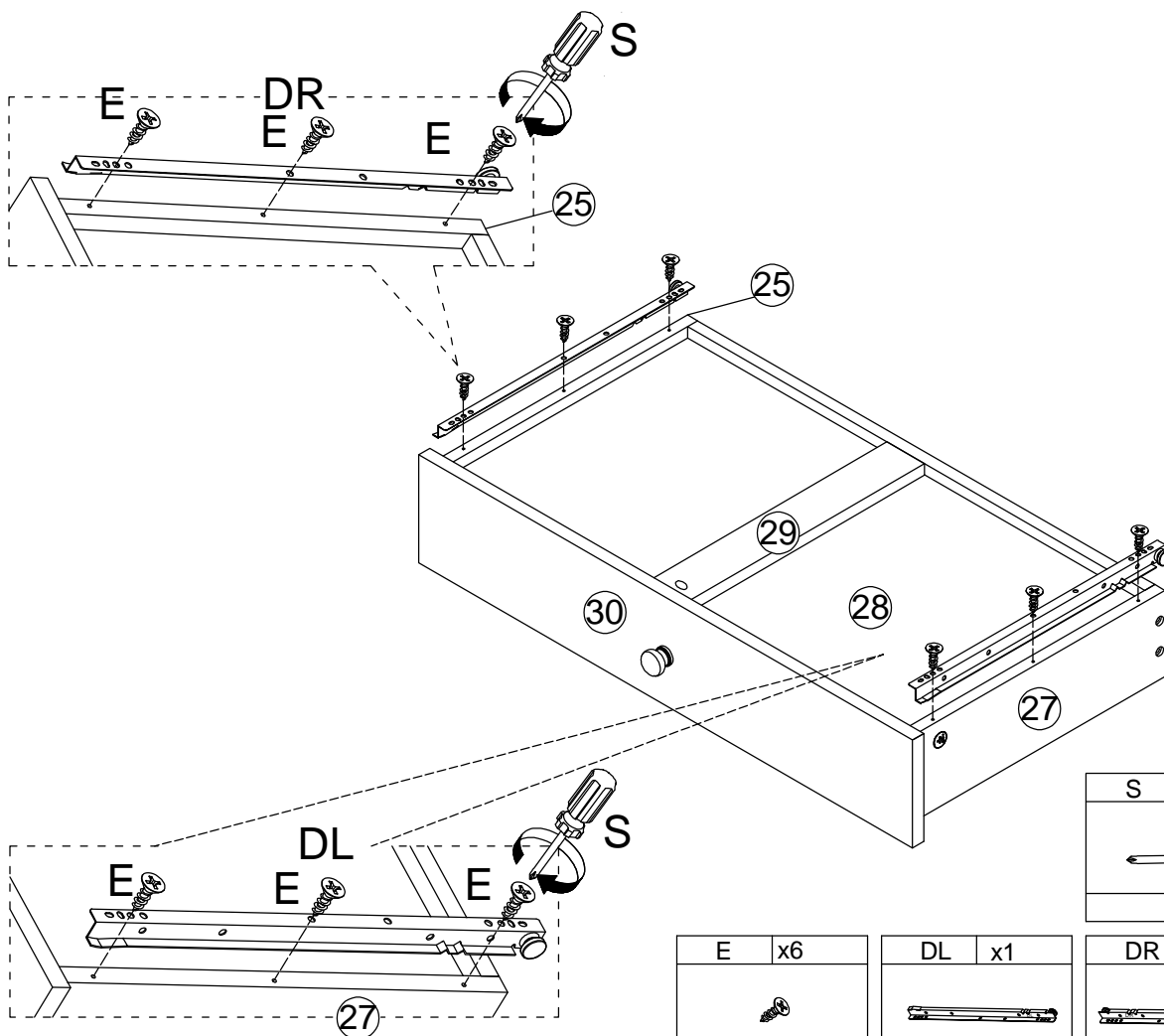


39

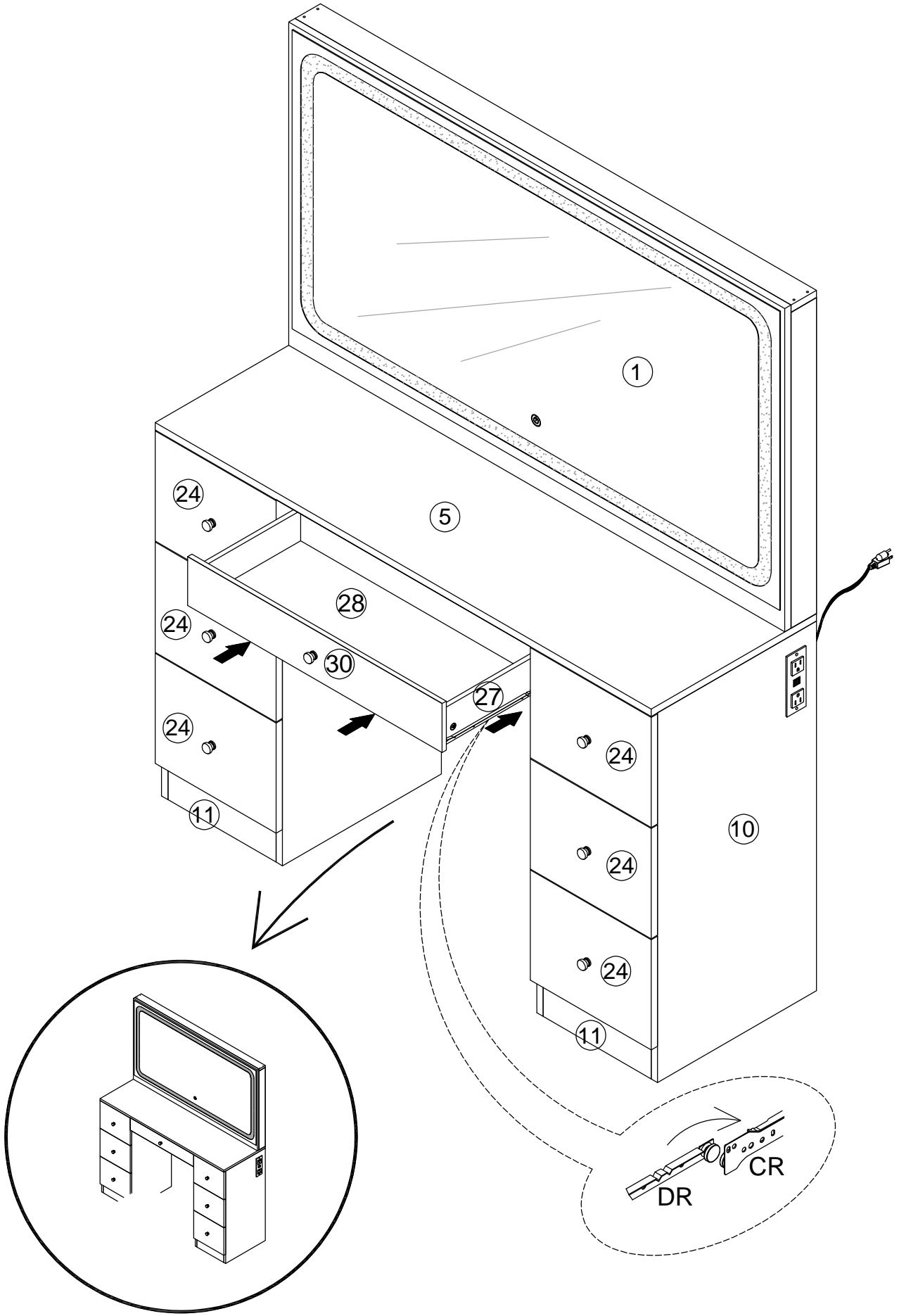


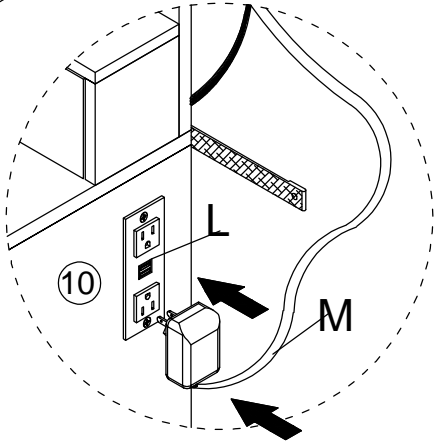
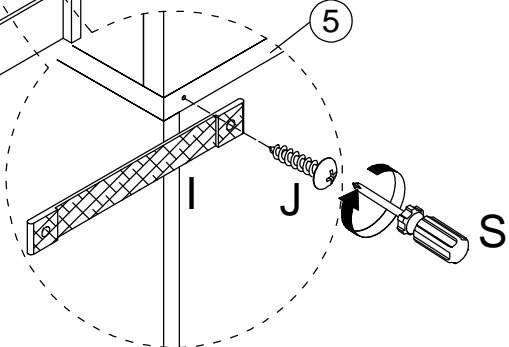
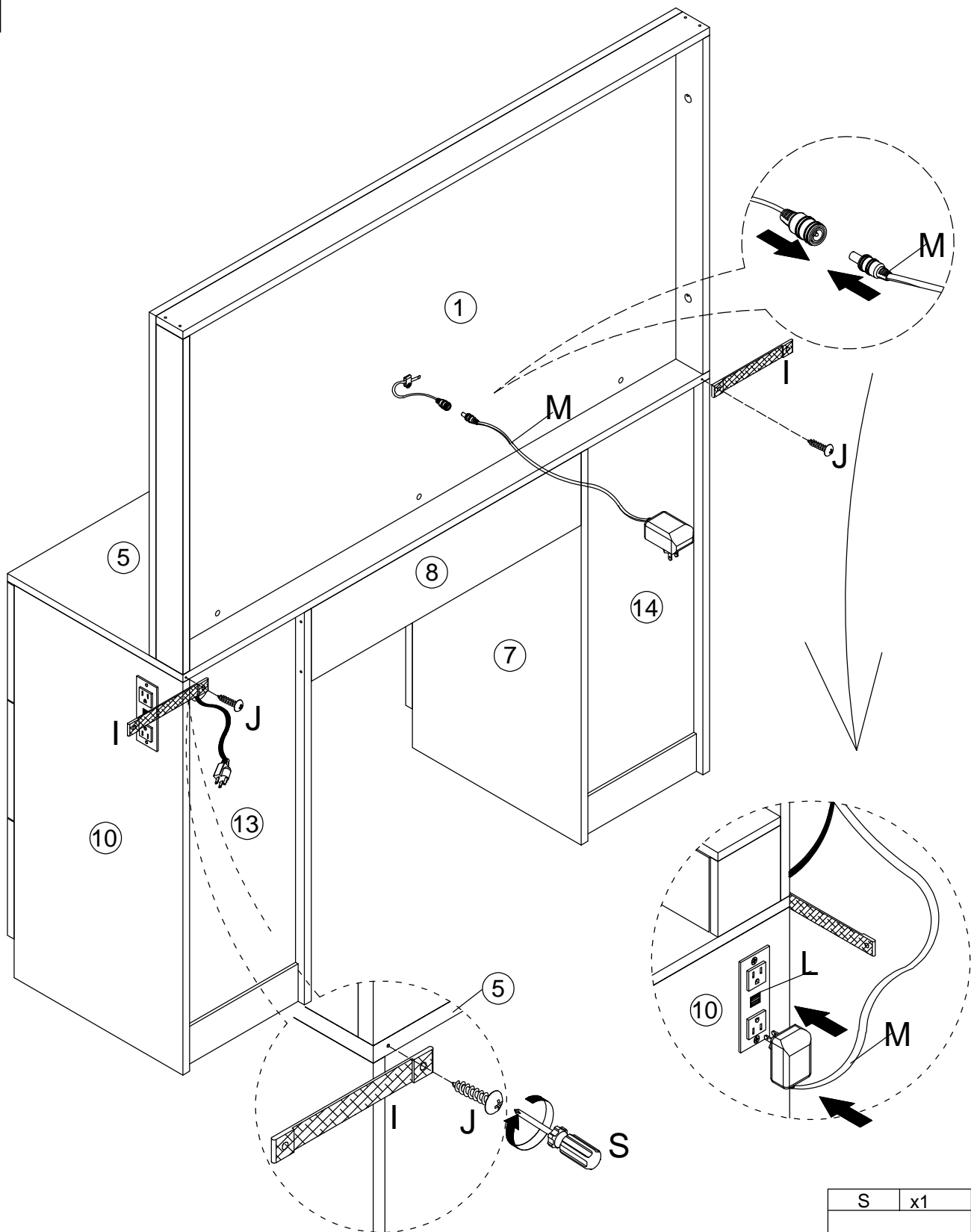
G	x1	H	x1	S	x1

40



E	x6	DL	x1	DR	x1	S	x1
		L350mm		L350mm			





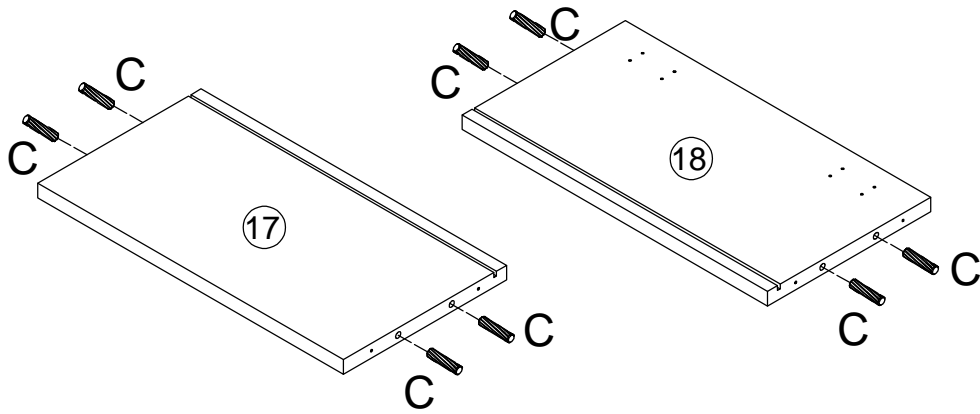
S	x1

I	x2

J	x2

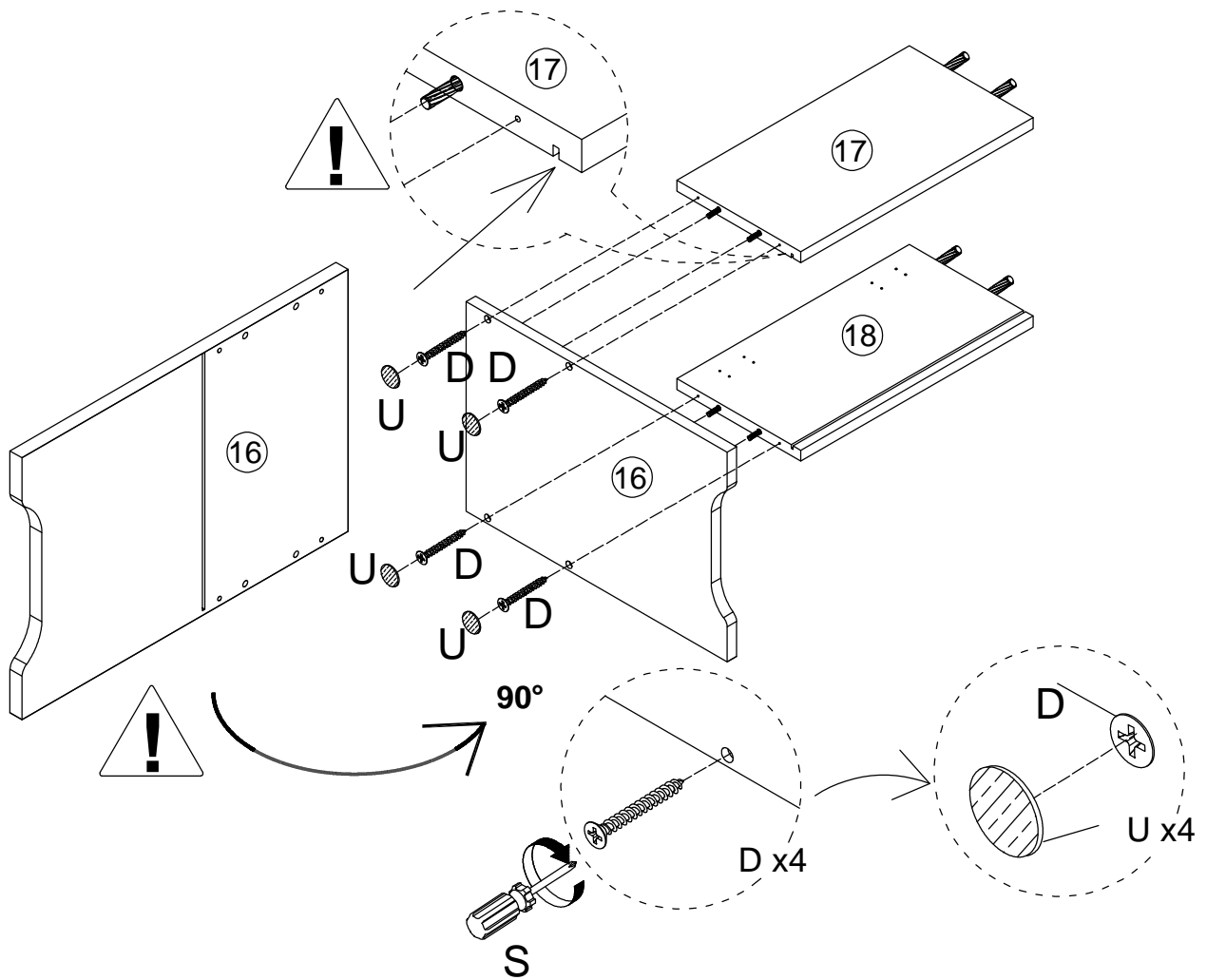
M	x1

44



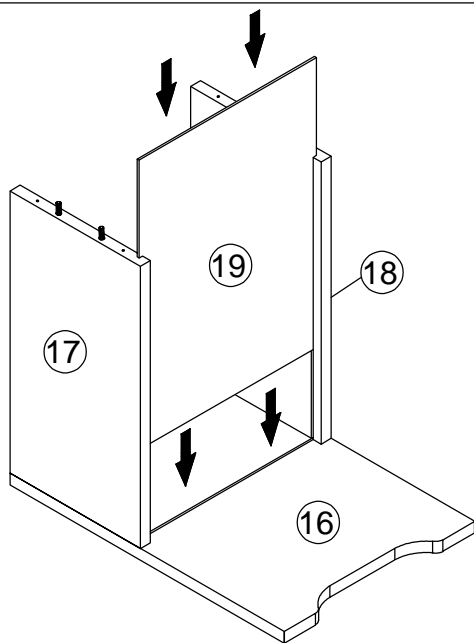
C	x8

45

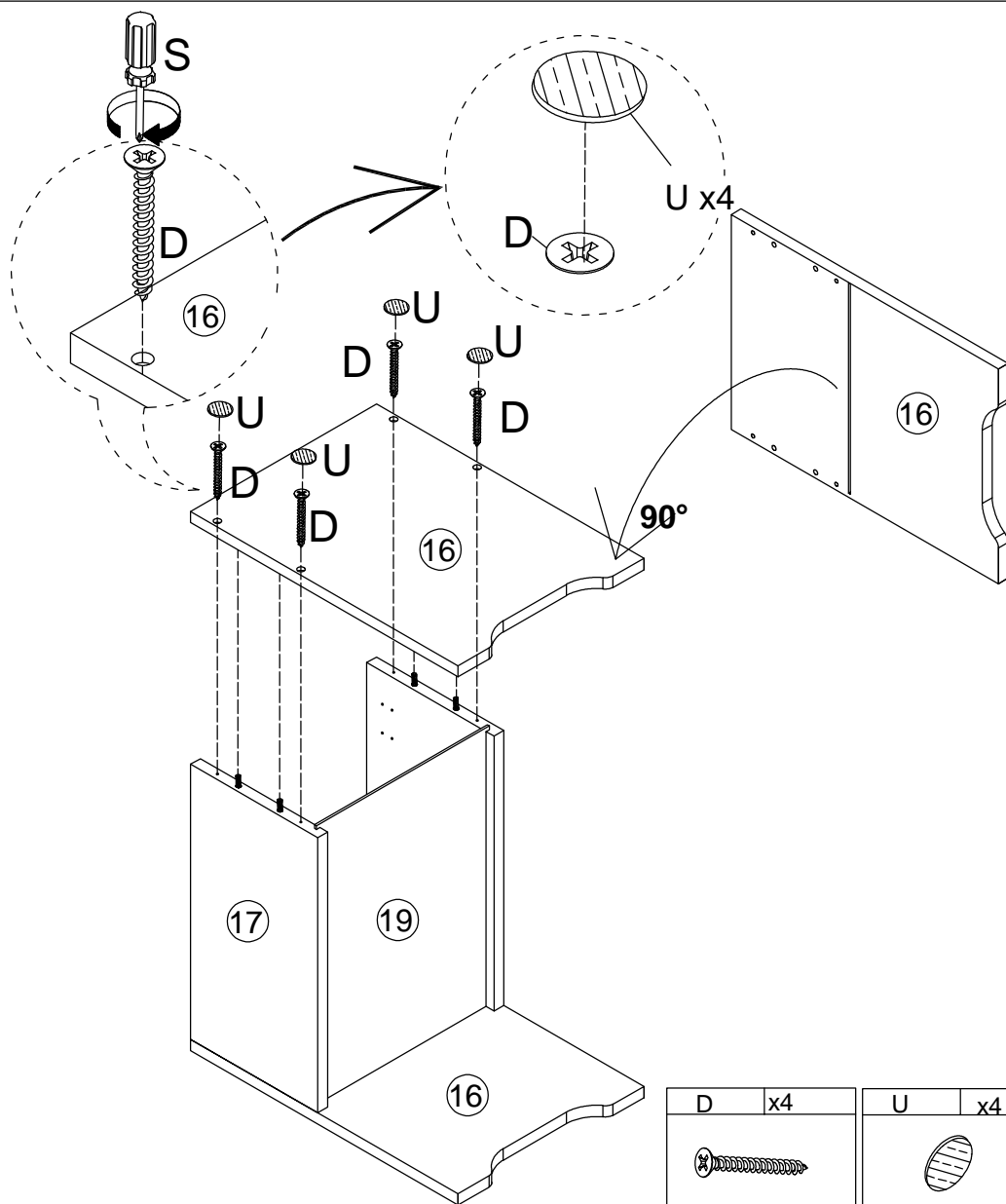




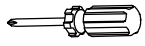
D	x4	U	x4	S	x1

46

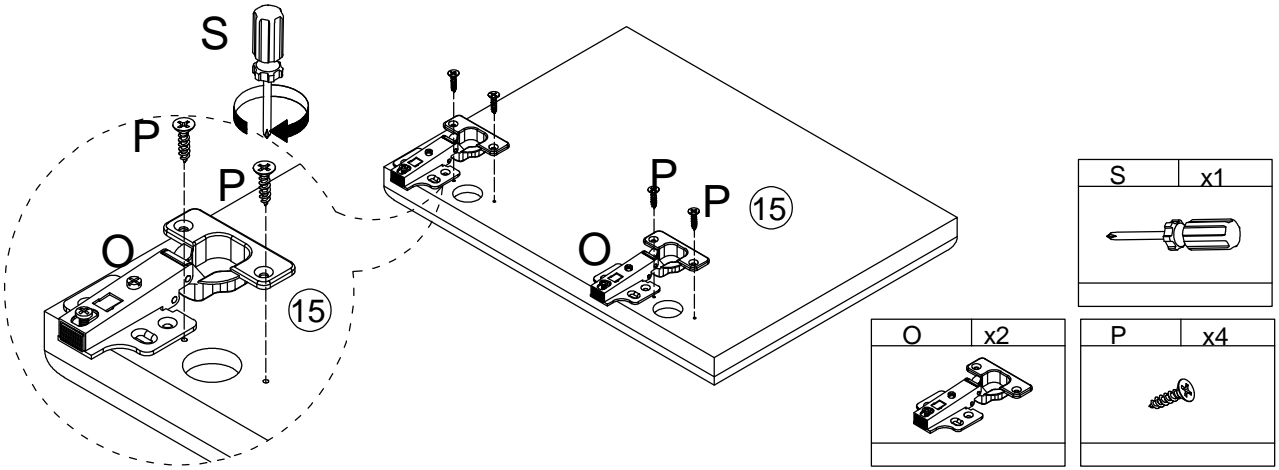


47



D	x4	U	x4	S	x1
					

48



49

