

#916 CLASSIC 16 GUN CABINET ASSEMBLY INSTRUCTIONS



 **American**
Furniture Classics
A division of Dawson Heritage Furniture

Thank you for purchasing this quality product. A list of PARTS and INSTRUCTIONS is included to assist you. Unpack and identify all parts included on the Parts List and Hardware List. If parts are missing, please DO NOT return this item to the store. For faster service please call our **Customer Service Department at 1-888-673-9080**. For efficient and speedy service, please indicate the model number and code letter of part(s) needed.









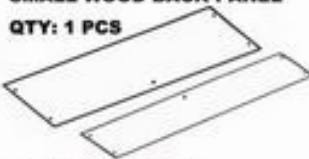



#916 CLASSIC 16 GUN CABINET ASSEMBLY INSTRUCTIONS

American
Furniture Classics
A Division of Dawson Heritage Furniture

HARDWARE LIST

- | | | | | | | | | |
|---|---|----------------------------------|---|---|----------------------------------|---|---|-------------------------------------|
| 1 |  | SHELF LOCK
QTY: 20 PCS | 2 |  | DOOR KEY
QTY: 1 SET | 3 |  | SHELF SUPPORT
X 20 PCS |
| 4 |  | DOOR HANDLE
QTY: 2 PCS | 5 |  | WRENCH
X 1 PCS | 6 |  | PLASTIC WASHER
QTY: 4 PCS |
| 7 |  | M6X11 LCK
QTY: 8 SETS | 8 |  | M6X11 RND
QTY: 10 SETS | | | |

PARTS LIST

- | | | | | | | | | |
|---|--|---|---|---------------------------------------|---|---|--|---|
| A | METAL BACK PANELS
QTY: 2 PCS |  | E | TOP PANEL
QTY: 1 PCS |  | J | SMALL BARREL REST
QTY: 1 PCS |  |
| B | LEFT SIDE PANEL
QTY: 1 PCS |  | F | SMALL LEFT DOOR
QTY: 1 PCS |  | K | LARGE BARREL REST
QTY: 1 PCS |  |
| C | RIGHT SIDE PANEL
QTY: 1 PCS |  | G | LARGE RIGHT DOOR
QTY: 1 PCS |  | L | LARGE WOOD BACK PANEL
QTY: 1 PCS
SMALL WOOD BACK PANEL
QTY: 1 PCS |  |
| D | BOTTOM PANEL
QTY: 1 PCS |  | H | ADJUSTABLE SHELF
QTY: 4 PCS |  | M | CENTER PANEL
QTY: 1 PCS |  |

CUSTOMER SERVICE

Toll Free 888-673-9080 • Fax 417-673-9081 • E-mail service@americanfurnitureclassics.com

#916 CLASSIC 16 GUN CABINET ASSEMBLY INSTRUCTIONS

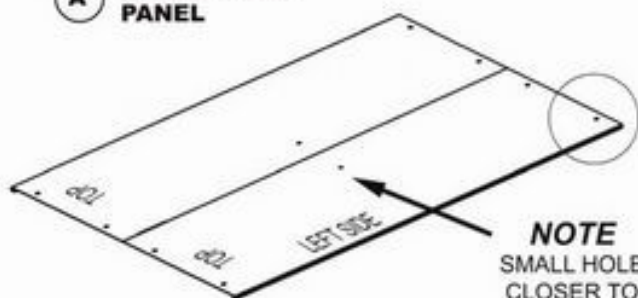
American
Furniture Classics
A Division of Dawson Heritage Furniture

STEP

1



A METAL BACK
PANEL



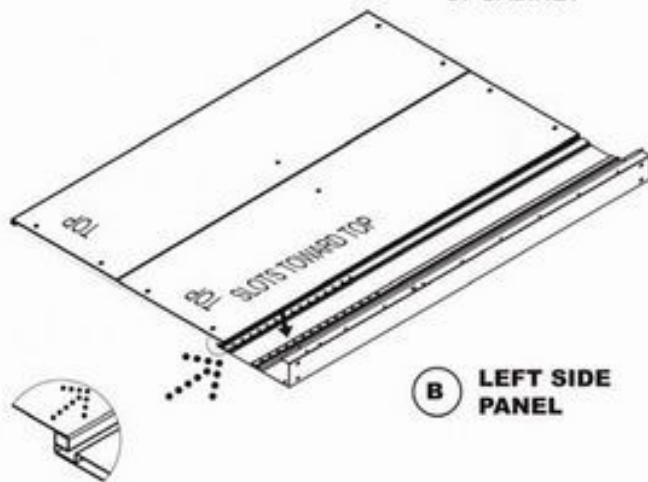
NOTE
SMALL HOLE
CLOSER TO
LEFT SIDE

LAY METAL BACK PANELS ON FLOOR WITH INSIDE OF BACK
PANEL FACING UP.

STEP

2

NOTE
HOLES/SLOTS IN
CABINET SIDES FOR
ADJUSTABLE SHELF
BARREL REST MUST
BE TOWARD TOP
OF CABINET



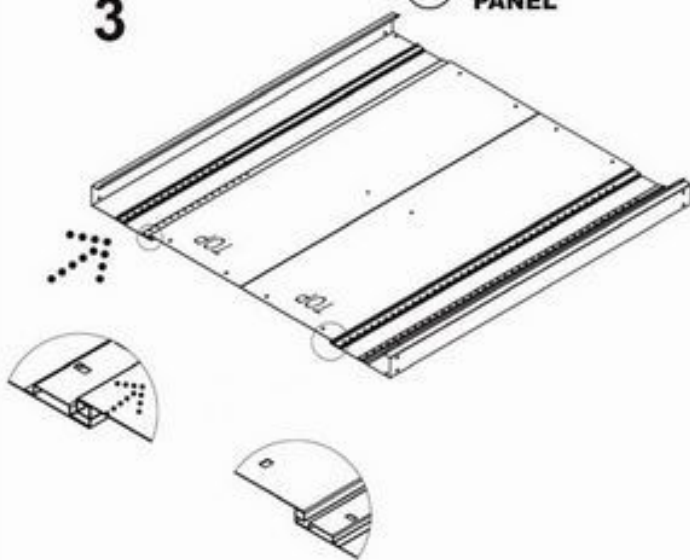
B LEFT SIDE
PANEL

HOOK / ATTACH LEFT SIDE PANEL TO BACK PANEL.

STEP

3

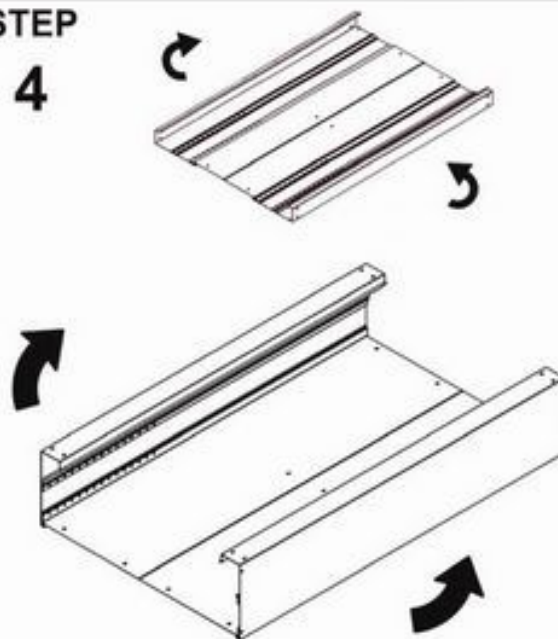
C RIGHT SIDE
PANEL



HOOK / ATTACH RIGHT SIDE PANEL TO BACK PANEL.

STEP

4



ROTATE FRONT EDGE OF BOTH SIDE PANELS UPWARD
TO FORM RECTANGULAR CABINET SHAPE.

#916 CLASSIC 16 GUN CABINET ASSEMBLY INSTRUCTIONS

American
Furniture Classics
A division of Dawson Heritage Furniture

STEP

5

IMPORTANT
DO NOT FULLY TIGHTEN THE
BOLTS DURING THIS STEP.

D BOTTOM PANEL



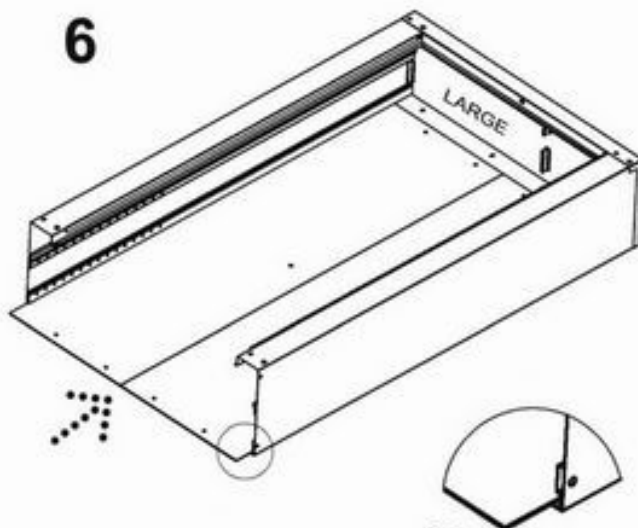
7

M6X11 LCK
QTY: 4 SETS

SLIDE BOTTOM PANEL OVER THE SIDE AND BACK
PANELS. INSERT 4 - M6X11 BOLTS THROUGH FRONT AND
LOOSELY TIGHTEN WASHER & LOCK NUTS FROM INSIDE.

STEP

6



L SMALL & LARGE WOOD
BACK PANEL

INSERT AND SLIDE 2 WOOD BACK PANELS INTO PLACE
FROM TOP END OF CABINET.

STEP

7

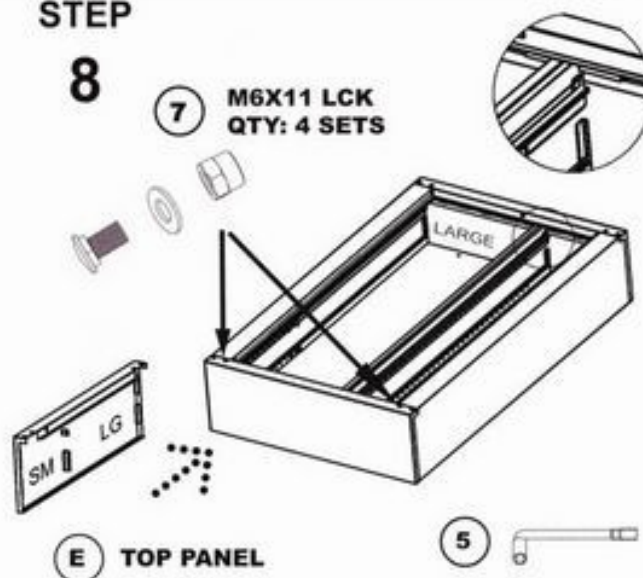


M CENTER
PANEL

SLIDE CENTER PANEL OVER THE WOODEN BACK PANEL.

STEP

8



7 M6X11 LCK
QTY: 4 SETS

E TOP PANEL

5

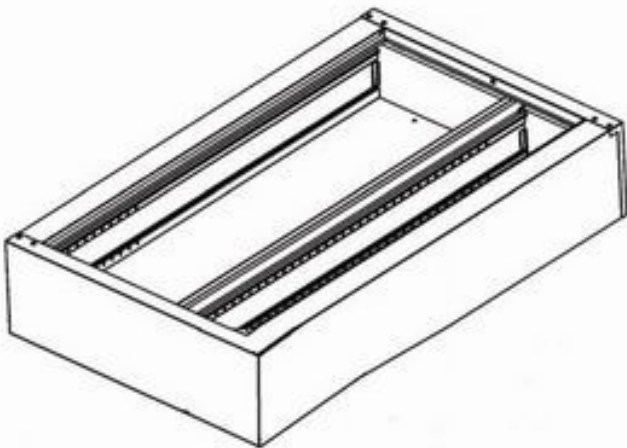
SLIDE TOP PANEL OVER THE SIDE, CENTER AND BACK
PANELS. INSERT 4 - M6X11 BOLTS THROUGH FRONT AND
FULLY TIGHTEN WASHER & LOCK NUTS FROM INSIDE
USING M6 WRENCH.

#916 CLASSIC 16 GUN CABINET ASSEMBLY INSTRUCTIONS

American
Furniture Classics
A Division of Dawson Heritage Furniture

STEP

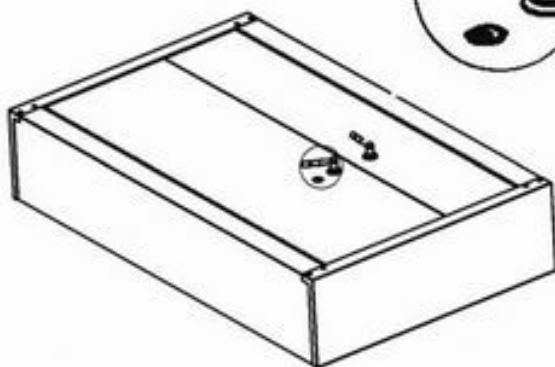
9



RETURN TO BOTTOM PANEL AND FULLY TIGHTEN THE 4 - M6X11 BOLTS FROM INSIDE USING THE M6 WRENCH.

STEP

11



4

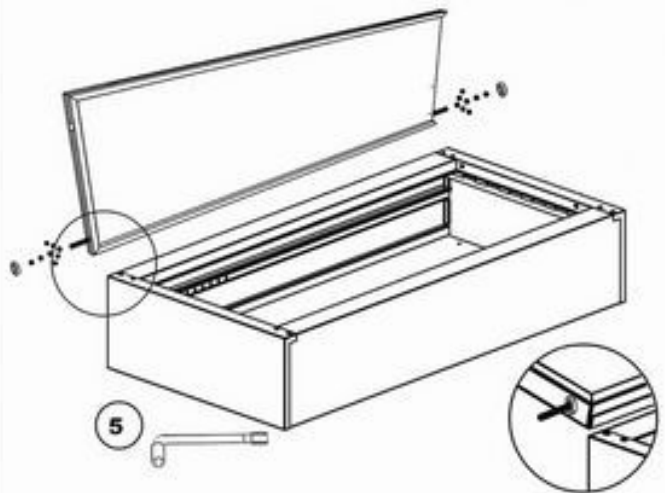


DOOR HANDLE
QTY: 2 PCS

SCREW LOCK HANDLE INTO DOORS. OPEN AND CLOSE DOOR TO CONFIRM PROPER ALIGNMENT.

STEP

10



DOOR IS EQUIPPED WITH TOP AND BOTTOM "SPRING" HINGE PINS.

SLIDE PLASTIC WASHER(6) ONTO EACH HINGE PIN.

INSERT THE HINGE PIN ON ONE END OF THE DOOR.

INTO THE HINGE PIN HOLE IN THE CABINET DOOR FRAME.

POSITION THE OTHER END OF THE DOOR AND THE OTHER HINGE PIN NEAR THE HOLE IN THE OPPOSITE END OF THE DOOR FRAME.

PUSH DOWN ON THE HINGE PIN SO THAT IT RETRACTS INSIDE THE DOOR.

WHILE THE HINGE PIN IS RETRACTED, SLIDE THE DOOR INTO THE DOOR FRAME.

ALIGN HINGE PIN WITH THE HINGE PIN HOLE.

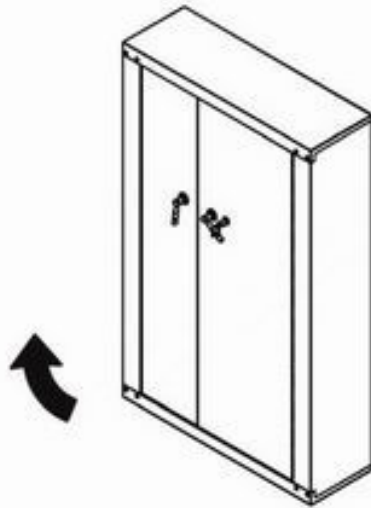
WHEN ALIGNED CORRECTLY, THE RETRACTED HINGE PIN WILL "SPRING UP" INTO POSITION.

THE DOOR IS NOW FULLY INSTALLED.

#916 CLASSIC 16 GUN CABINET ASSEMBLY INSTRUCTIONS

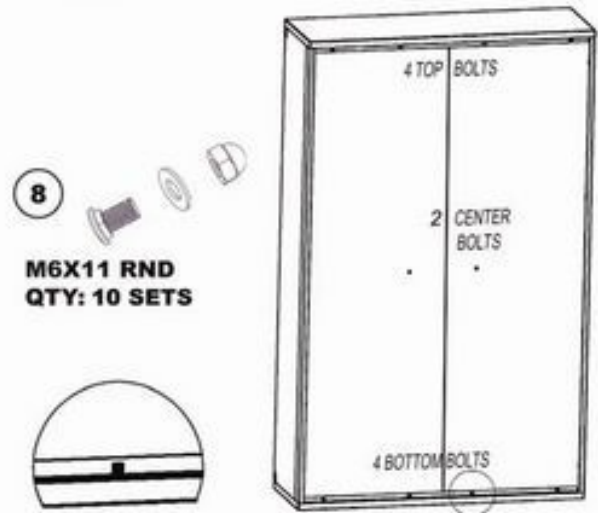
American
Furniture Classics
A division of Dawson Heritage Furniture

STEP 12



LIFT CABINET TO VERTICAL POSITION.

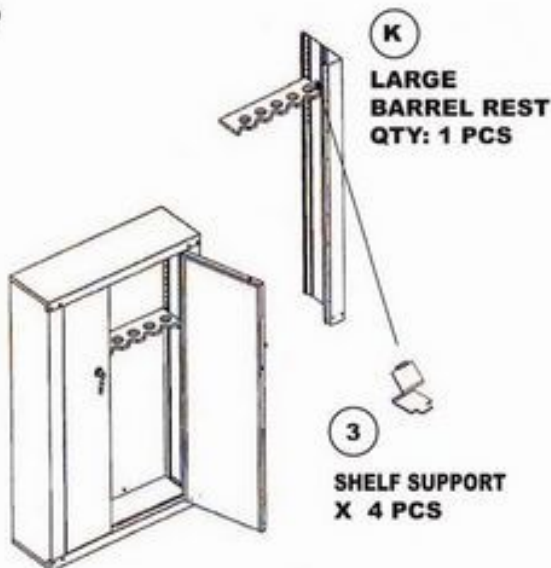
STEP 13



8
M6X11 RND
QTY: 10 SETS

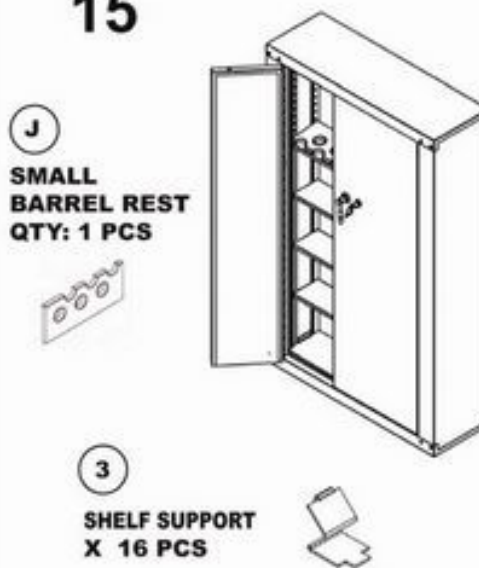
INSERT 10 - M6X11 RND BOLTS THROUGH BACK AND FULLY TIGHTEN WASHER & ROUND HEADED LOCK NUTS FROM INSIDE USING M6 WRENCH.

STEP 14



INSERT SHELF SUPPORTS INTO THE SLOTS ON THE LARGE RIGHT SIDE OF THE CABINET THEN LAY BARREL REST ON TOP OF THE SHELF SUPPORTS.

STEP 15



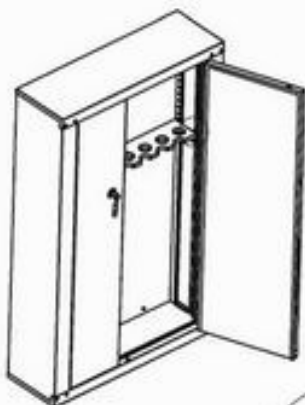
NOTE
INSTALL EITHER
SMALL BARREL
REST OR
ADJUSTABLE
SHELVES AS
DESIRED

INSERT METAL STORAGE SHELVES OR SMALL BARREL REST ON THE SMALL LEFT SIDE OF THE CABINET USING SHELF SUPPORTS IN THE DESIRED LOCATION.

#916 CLASSIC 16 GUN CABINET ASSEMBLY INSTRUCTIONS

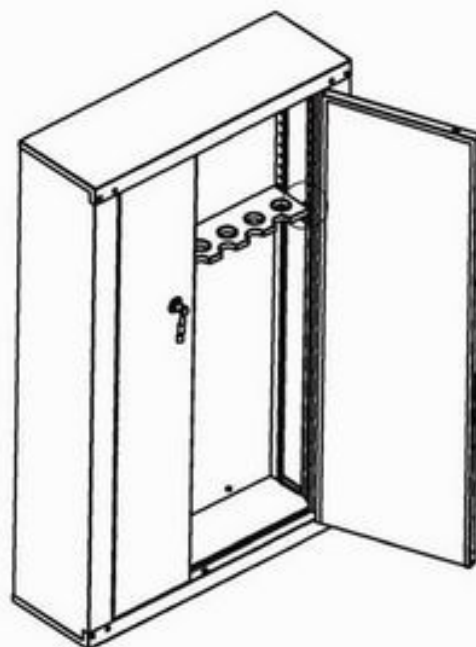
American
Furniture Classics
A Division of Dawson Heritage Furniture

STEP 16



1

SHELF LOCK
QTY: 20 PCS



INSERT PLASTIC SAFETY CLIP ABOVE ALL SHELVES AND
BARREL RESTS.

Customer Service

• Toll Free 888-673-9080

• Fax 417-673-9081

• E-mail

service@americanfurnitureclassics.com