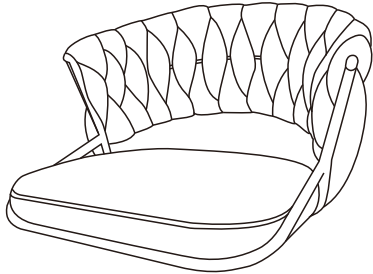
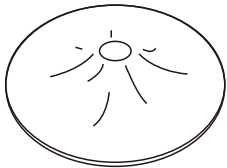


ASSEMBLY INSTRUCTIONS

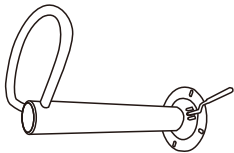
Ax1



Bx1



Cx1



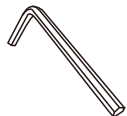
Dx1



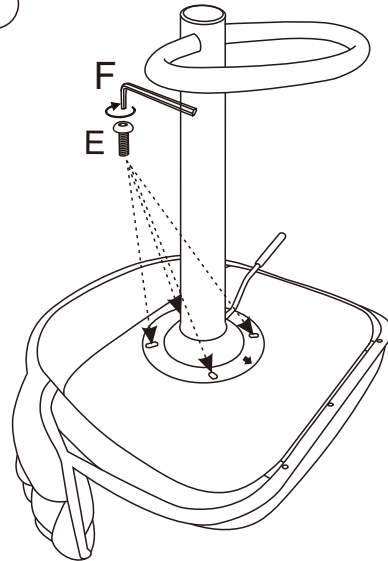
Ex4



Fx1

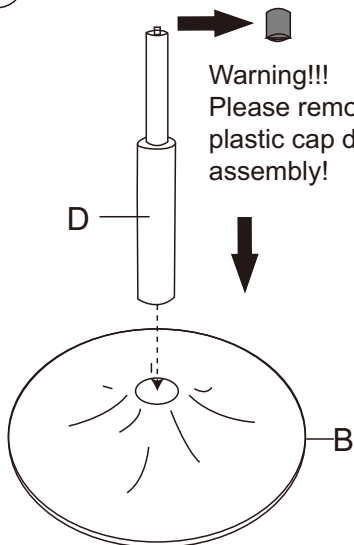


1



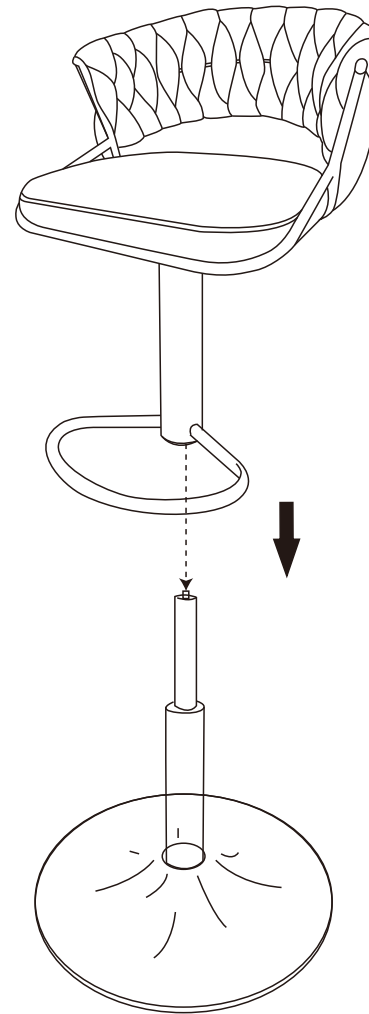
Warning!!!
PUT ALL SCREWS IN THE HOLE,
THEN TIGHTEN ONE BY ONE.

2



Warning!!!
Please remove the
plastic cap during
assembly!

3



4

