

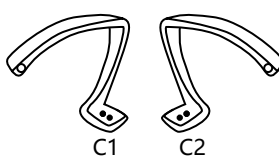
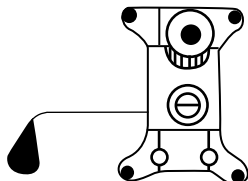
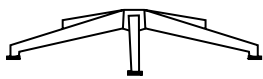
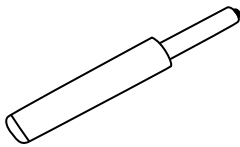
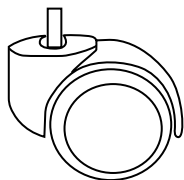




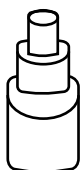
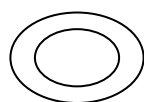
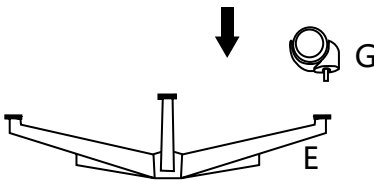


Assembly Instruction

PARTS

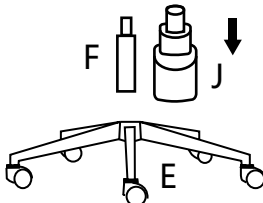
<p>A x 1</p> 	<p>B x 1</p> 
<p>C x 1</p>  <p>C1 C2</p>	<p>D x 1</p> 
<p>E x 1</p> 	<p>F x 1</p> 
<p>G x 5</p> 	<p>H x 1</p> <p>a  x 4</p> <p>b  x 4</p> <p>c  x 6</p>
<p>I x 1</p> 	<p>J x 1</p> 
<p>K x 12</p> 	

STEP 1



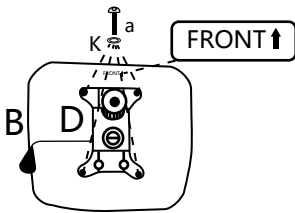
Push the wheels to the base.

STEP 2



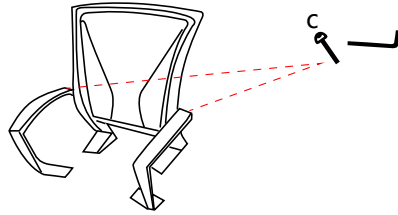
Put the gas lift on the base. Then put the plastic cover.

STEP 3



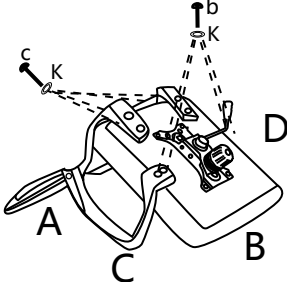
Attach the seat control on the seat cushion. Please notice the direction!

STEP 4




NOTE: Please assemble the armrests and backrest firstly. Don't tighten the screw.

STEP 5



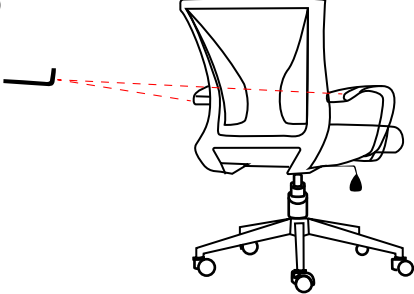
Assemble the armrests and seat cushion. Assemble the seat cushion and backrest.

STEP 7



Assemble the chair with two whole parts.

STEP 6



Tighten the Semi-loose screws.