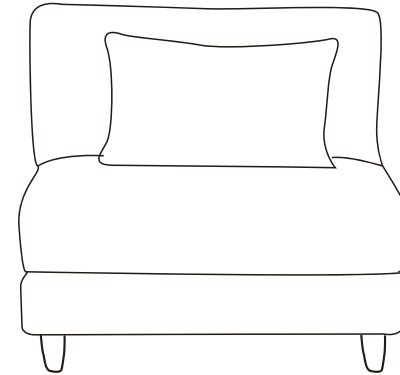


# WARRANTY

We strive to offer high-quality product and we also try our best to satisfy each customer that orders from us with product or service as needed.

Each customer a record of their order such as the order number, or item receipt for any items that are out of the warranty period you may also still receive replacement parts by purchasing them with our company if they are available.



---

## NOTE:

This brochure contains IMPORTANT safety info. Please read and keep for future reference.

---

# MAINTAINANCE AND WARNING

- Keep furniture away from heat and fire.
- Keep furniture away from sharp objects.
- Do not clean furniture with harsh cleansers or polish. Do not use detergents, Solvents, abrasives, spray packs or leather cleaner. Use non-color mild soap with warm water clean spills(Mix 1:10 soap to water)
- Do not place furniture under direct sunlight, material will possibly fade over time.
- Do not jump or strike on the furniture.
- Do not write on furniture without a padded barrier to protect the surface.
- Not for commercial use, For residential use only.

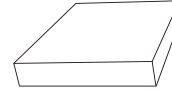


Weight Limitation

**400LBS**

# PARTS LIST

A\*1



Sofa frame

B\*1



Back frame

C\*1



Back cushion

D\*1



Cushion

E\*1



Pillow

# HARDWARE and TOOL LIST

F\*4



Legs

G\*1



Hook

H\*2

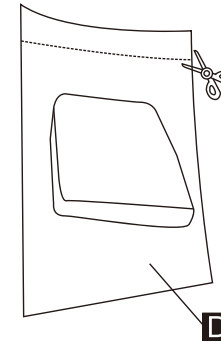


Connector

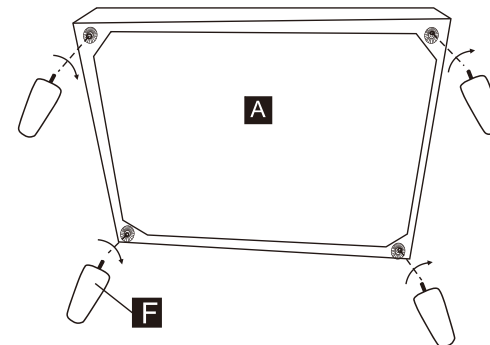
**Be sure to check all packing material fitting the packing list. Be careful for small parts, which may have come loose inside the carton during shipment.**

# ASSEMBLY INSTRUCTIONS

## step1



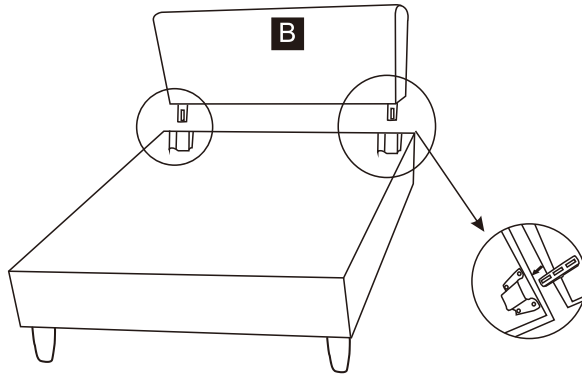
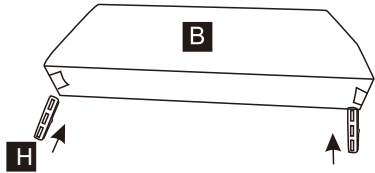
Open the compression bag, take out the armrest, pillow, cushion, let it recover shape, full recovery takes about 24 hours, and you can use your hand to beat to speed up the recovery.



Place the bottom of the sofa frame upward on a clean plane, align the screw of the wooden foot with the screw hole reserved at the bottom of the sofa and rotate clockwise to install the wooden foot firmly.

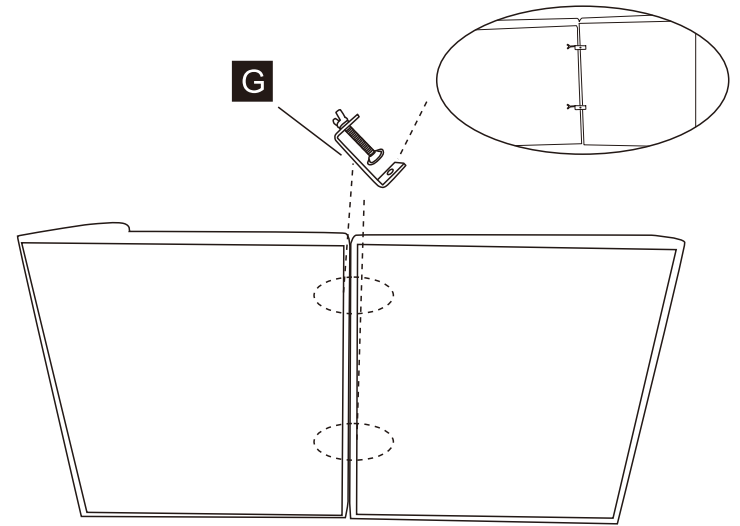
## step2

Align Connector H insert to reserved hole on the bottom of backrest



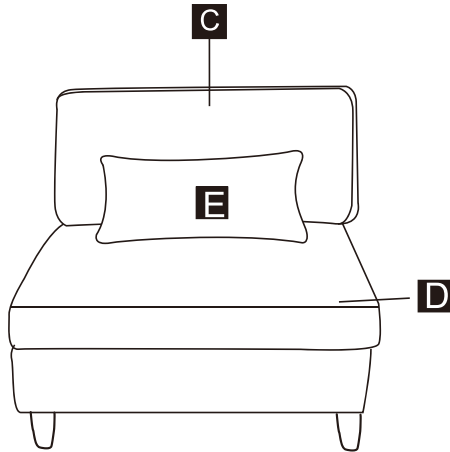
Insert backrest with the Connector H directly into the reserved holes in the seat frame, and press down until the backrest with sofa are firmly combined.

## step3



There is a metal hook in each carton of corner sofa and armless sofa, when the two sofas need to be combined together to use, let them stand on the side and close together, take out the two hooks to the two sofa contact the wood stick, and screw the hook.

## step4



Clean the excessive thread ends on the sofa frame.  
Remove the Velcro covering on the bottom of the cushion, place the cushion on the sofa, align the edge of the cushion with the edge of the sofa, then put the backcushion in the corresponding position and arrange it to make it beautiful.