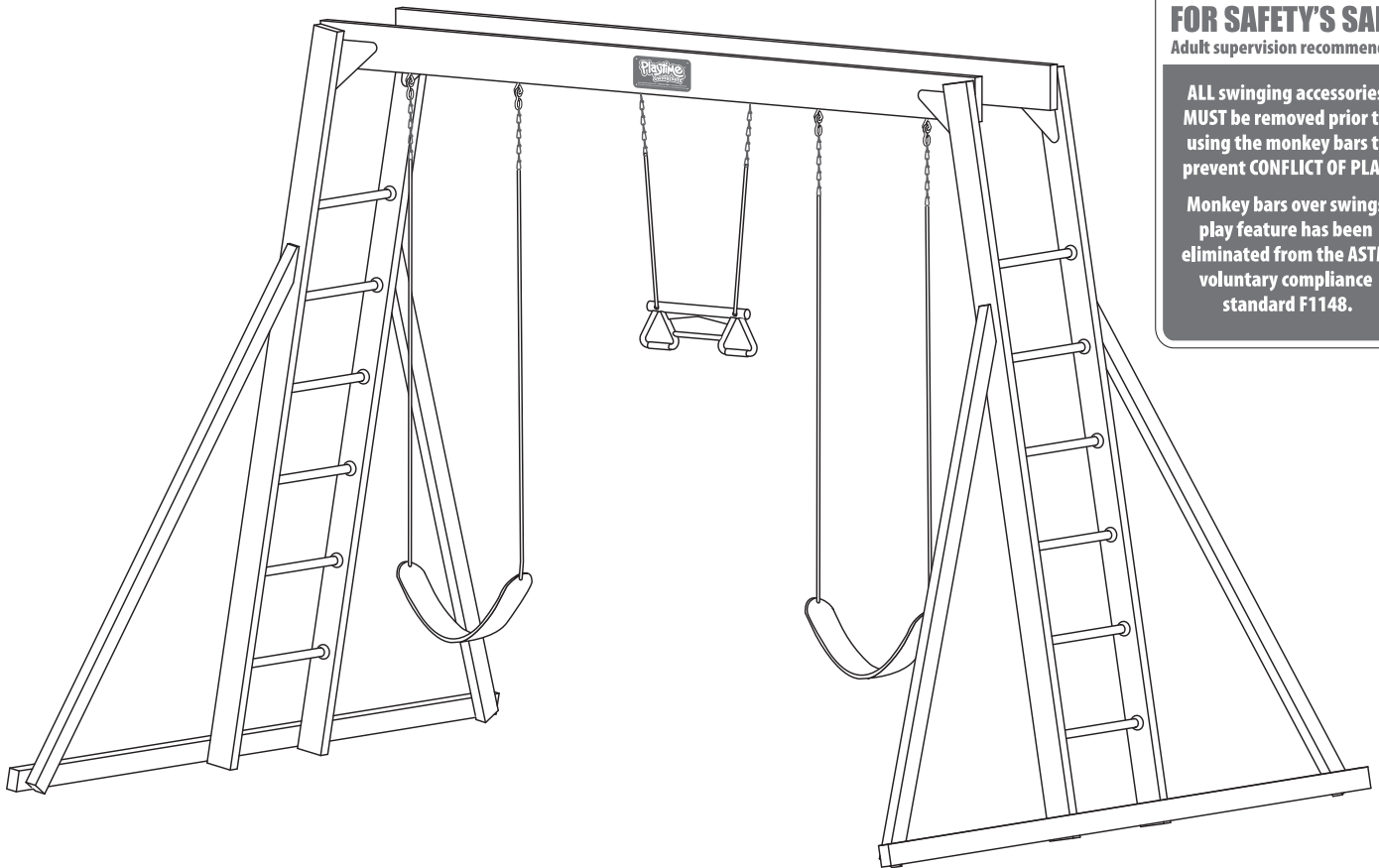


FOR SAFETY'S SAKE
Adult supervision recommended

ALL swinging accessories
MUST be removed prior to
using the monkey bars to
prevent CONFLICT OF PLAY.

Monkey bars over swings
play feature has been
eliminated from the ASTM
voluntary compliance
standard F1148.



The swing accessories provided with your set may be different than those shown above.

**If you have problems or questions about your Creative Playthings Play Set,
DO NOT CALL THE RETAILER.**

**Contact Creative Playthings Customer Service at 1-800-833-4001 or
customerservice@creativeplaythings.com**

All hardware on this set is specially coated for corrosion resistance.
If non-Creative Playthings hardware is used, it must be galvanized or stainless steel.

This product is intended for single family home/residential use only and not intended for use in any public setting. Placement in any public setting constitutes a misuse of this product.

Please read the owner's manual before assembling your Play Set, it provides additional information on the care and use of your Play Set.

You must carefully read the entire instruction manual before proceeding with the assembly or use of your new Play Set.

Creative Playthings takes great care to design its products with your child's safety in mind. However, only with careful supervision and proper safety instructions, can you be assured of safe play time on any product designed for children.

PLAY SET SAFETY

FOR SAFETY SAKE, PLEASE TAKE TIME TO READ ALL INSTRUCTIONS COMPLETELY AND CAUTION YOUR CHILDREN APPROPRIATELY.

Observing the following statements & warnings reduces the likelihood of serious or fatal injury:

- Children should use equipment only in its intended manner.
- Children should not wear loose or stringed clothing while using playground equipment.
- Children should not play on equipment in wet weather conditions due to potentially slippery surfaces.
- Children should NOT walk too closely in front of, behind, or between moving swings and trapezes.
- Children should NOT swing empty swing seats.
- Children should NOT jump off swings and/or trapeze while they are in motion.
- Children should NOT twist swing ropes or chains because this will reduce the strength of the ropes, connectors & chains.
- Children should sit in the center of the swings with their full weight on the seats.
- Hanging accessories MUST be removed prior to using overhead monkey bars.
- Do not allow children under age 7 to use monkey bars unless supported by an adult.
- Children should NOT be on the top surface of the top ladder.
- On-site adult supervision is required at all times for children of all ages.
- Until assembly is complete, DO NOT let your children use the Play Set.
- Never fasten anything not approved by Creative Playthings to your Play Set. Accessories or items not approved by Creative Playthings include; Dog runs, clothes lines, electrical devices, or bird feeders etc.
- Suspended ropes, chains, and cables must be secured at both ends.
- Suspended ropes, chains, and cables must not be capable of looping back on themselves.
- Do not allow more than 120 lbs. on Single occupancy swing accessories such as the Sling Swing and Trapeze.
- Do NOT allow more than 175 lbs. on multiple use swing accessories such as the Back-to-Back Plastic Horse, and Wooden Lawn Swing Glider.
- Do NOT allow more children on the Play Set than can simultaneously use all the swing stations at one time.
- Children should NEVER wear bicycle helmets while playing on the Play Set.

Assembly Safety:

- Adult assembly required
- Keep the work area clean and clear of obstructions.
- Children should stay out of the work area until the safe play area is cleared of obstacles, the Play Set has been completely assembled, all hardware has been tightened and checked, and all tools have been picked up.
- Keep children off the Play Set until it has been completely assembled.
- Some parts of the assembly process may require help from another competent adult.
- Do not stand on the structure until the Play Set has been completely assembled, use a step ladder if you can not reach high enough.
- Follow the manufacturers' safety recommendations for the tools and equipment you use.
- Avoid assembling your Play Set in poor weather conditions.
- Wear proper clothing and safety equipment (safety glasses, boots, and gloves) while assembling your Play Set.

SAFE PLAY AREA

SELECTING THE CORRECT LOCATION FOR YOUR PLAY PRODUCT IS IMPORTANT FOR YOUR CHILDREN'S SAFETY AND THE PRODUCT'S LONGEVITY.

Play Set Dimensions:

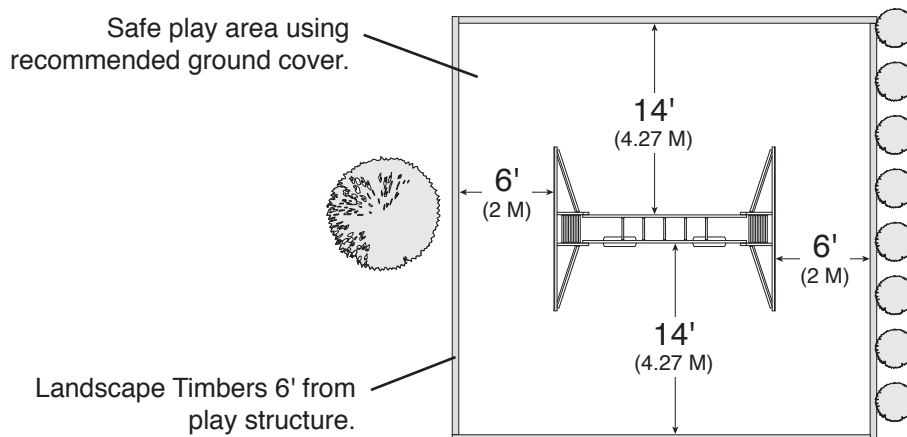
- MODEL PS10CLATL and PTCLATL Swing Sets have ground dimensions of 10'-7" x 7'-10".
- This Swing Set requires a level ground surface of 22'-7" x 29'-3" for a Safe Play Area
- Additional accessories may increase the size of the Safe Play Area.
- The maximum fall height for your swing set is 87" as measured from the top of the Top Ladder.

Safe Play Area:

- The Safe Play Area refers to a zone extending 6' (2 meters) beyond the Play Set on all sides, including the slide and the space above the Play Set. Because children may deliberately jump from a moving swing, the Safe Play Area must be extended to 14' (4.27 meters) in front of and behind a swinging Accessory.
- The ground surface must be level. Installing your Play Set on sloping ground can cause it to lean or "rack". This leaning puts additional stress on all connections and joints and in time will cause those connections to loosen and fail.
- The Safe Play Area must be free of all structures, landscaping, trees and branches, rocks, wires, and other obstacles to safe play. Children can be seriously injured running, or swinging into these obstacles.
- Remove all tripping hazards from the Safe Play Area. Tripping hazards include; roots, stumps, rocks, landscaping, sprinkler heads, railroad ties, plumbing and electrical connections.
- Do not install your Play Set over concrete, gravel, asphalt, packed earth, or any other hard surface. The following is a list of recommended ground covers from the Consumer Product Safety Commission.

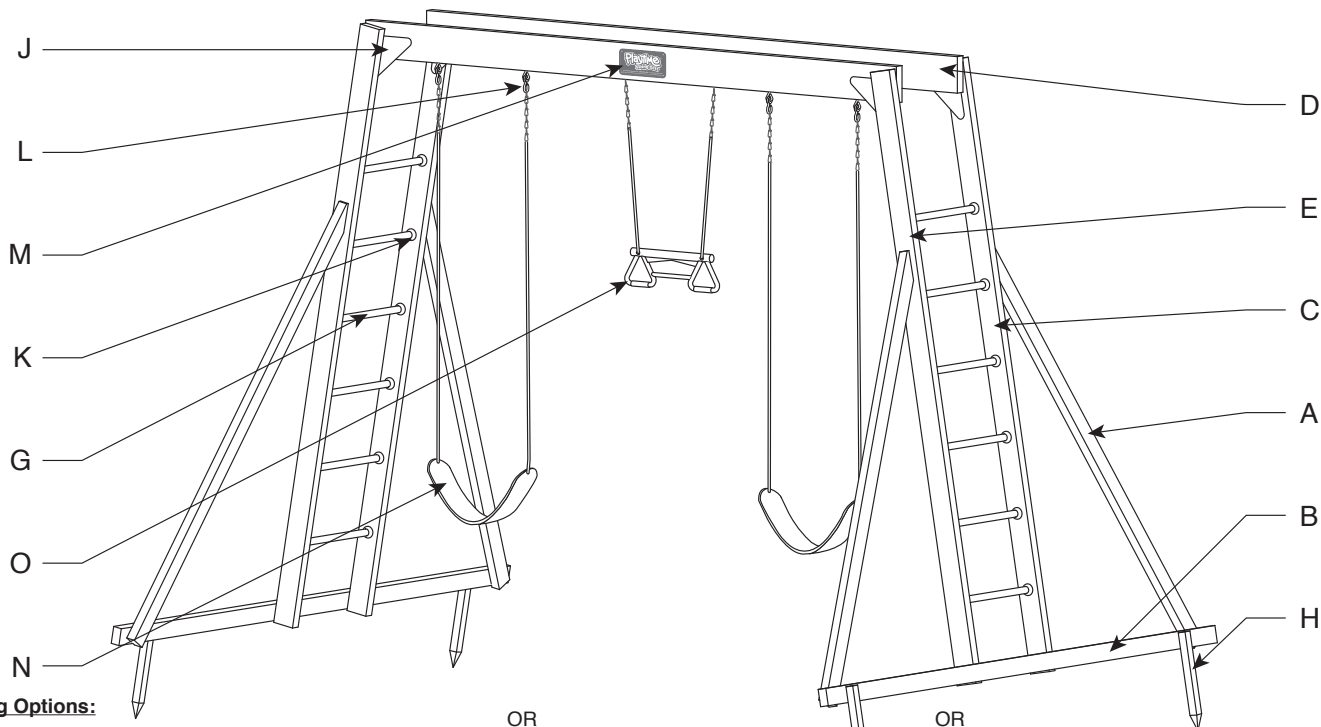
RECOMMENDED GROUND COVER	
Suggested Material	Uncompressed Depth
Double Shredded Bark Mulch	9"
Uniform Wood Chips	12"
Fine Gravel	12"
Fine Sand	12"

- Any edging used to contain the ground cover must be beyond the Safe Play Area. (i.e.. Landscape Timbers)



A FALL ONTO A HARD SURFACE COULD RESULT IN SERIOUS INJURY.

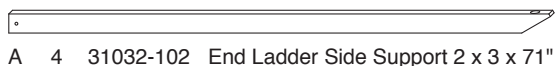
COMPONENTS



Swing Options:

	1 50453-400	2 Swing 1 Trap Acc Pack, Rope	OR	1 AA934-204	2 Swing 1 Trap Pack, Vinyl Chain	OR	1 50537-201	2 Swing 1 Trap Acc Pack, Chain	
I	2	40009-400	Sling Swing, Green w/Rope	2	40321-400	Sling Swing, Vinyl Coated Chain	2	40321-400	Sling Swing, Powder-Coated Chain
J	1	40381-100	Plastic Ring Trap, Combo, Yellow	1	40311-402	Ring Trapeze, Vinyl Coated Chain	1	40311-402	Ring Trapeze, Powder-Coated Chain
(or		40535-100	Ring Trapeze Assembly w/Rope)						

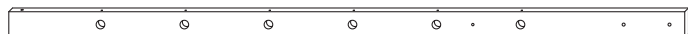
60058-101 Playtime Classic Top Ladder



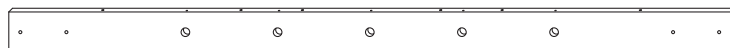
A 4 31032-102 End Ladder Side Support 2 x 3 x 71"



B 2 31334-102 End Ladder Base 2 x 3 x 94"



C 2 33127-102 Right End Ladder Rail 2 x 4 x 88-1/2"



D 2 33128-102 Top Ladder Rail 2 x 6 x 94"



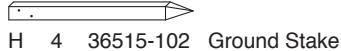
E 2 40516-102 Left End Ladder Rail 2 x 4 x 88-1/2"



F 5 14202-400 Steel Rung, Green 1" Dia x 15"



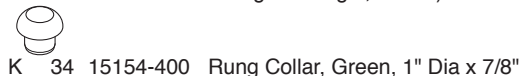
G 12 14203-400 Steel Rung, Green 1" Dia x 18"



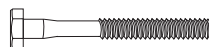
H 4 36515-102 Ground Stake

50467-100 Accessories, Classic Top Ladder

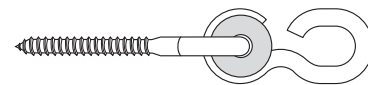
- I 1 11051-2131 Assembly Block
- J 4 14099-400 6" Triangle Brace
- (or 2 14211-400 6" Left Triangle, Green
- 2 14212-400 6" Right Triangle, Green)



K 34 15154-400 Rung Collar, Green, 1" Dia x 7/8"



Hex Bolt



NyGlide Swing Hanger



Self-Drilling Screw



Flat Washer



Lock Washer



Pan Head Screw



Weld Nut

- 1 50105-700 NyGlide Swing Hanger 6 Pack**
- 6 12002-206 Washer 5/16" Flat
- L 6 17004-100 NyGlide Swing Hanger, Screw Type
- 1 50467-700 Hardware Bag, Classic Top Ladder**
- 12 12002-205 Flat Washer 1/4"
- 12 12002-206 Flat Washer 5/16"
- 12 12017-205 Lock Washer 1/4"
- 12 12017-206 Lock Washer 5/16"
- 12 17001-104 Weld Nut 1/4"
- 12 17001-105 Weld Nut 5/16"
- 4 17003-1009 Hex Bolt 1/4 x 2-1/2"
- 4 17003-909 Hex Bolt 1/4 x 2-1/4"
- 4 17003-1809 Hex Bolt 1/4 x 4-1/2"
- 4 17003-1011 Hex Bolt 5/16 x 2-1/2"
- 8 17003-611 Hex Bolt 5/16 x 1-1/2"
- 18 17020-109 Screw #8 x 2-1/2"
- 10 17120-1402 Self-Drilling Screw #10 x 3-3/4"
- 24 17120-902 Self-Drilling Screw #10 x 2-1/2"
- 8 17019-304 Pan Head Screw #10 x 3/4"
- 1 50469-100 Playtime Name Plate Bag**
- M 1 14208-100 Playtime Name Plate
- 4 17128-202 Stainless Pan Head Screw #6 x 1/2"

MAINTENANCE INSTRUCTIONS

Re-staining Information: (Your Play Set is stained at our factory. No stain is needed at initial assembly.)

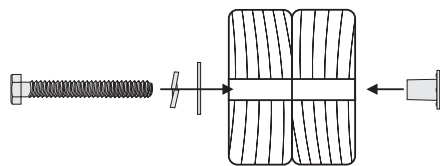
- Pigmented, exterior, water repellent stains are recommended and will provide an excellent barrier against moisture without hiding the natural wood grain or leaving a film that may later crack or peel.
- We recommend that you apply stain according to the instructions and precautions provided by the stain manufacturer.
- It should take one or more quarts to cover your set.
- Contact your local dealer or call Creative Playthings for our staining products.
- Do not paint, or varnish rungs or steps.
- Avoid using finishes that create slippery surfaces.

Maintenance:

- Wooden playground equipment will last for years with proper maintenance. Maintenance of the Play Set finish will vary depending on weather climate.
- As a safety precaution, check all hardware, such as nuts and bolts, for tightness twice a month during use and at the beginning of each play season. Tighten as required and specified in these instructions. Do not over-tighten.
- Check structure twice monthly during usage for any evidence of deterioration. If upon inspection, hardware has sharp edges, rusted or structural pieces have signs of premature failure; replace them through Creative Playthings Customer Service.
- Oil all metallic moving parts monthly during the usage season.
- The swings, trapeze, tent, rope ladders, and any other removable plastic accessories should be removed and taken indoors when outside temperatures drop below 32° F (0° C).
- Wood will expand and contract as it adjusts to temperature changes and varying moisture conditions. Checks or cracks are a natural characteristic of all wood and will not affect the strength or durability of the wooden components.
- To maintain the finish of your set, a light sanding and an application of an exterior stain will repair scratches and prevent wood from aging prematurely.
- The wood parts of your Play Set should never be disposed of by burning.
- Dispose of all parts so as not to create a hazard.
- "Check all coverings for bolts and sharp edges and replace when required."
- "Check swing seats, chains, ropes, and other means of attachments for evidence of deterioration". Replace through Creative Playthings Customer Service.

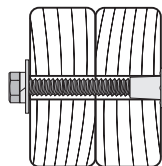
Tools & Materials Suggested for Assembly:

- Claw Hammer
- Carpenter's Level
- Box Wrench or Sockets (7/16" & 1/2")
- Driver Drill (Medium Phillips)
- Locking Pliers
- 10 ft. Tape Measure
- 6 ft. Step Ladder
- Beeswax or Soap (Used to lubricate screw threads)



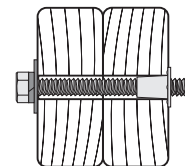
Hex Bolt & Weld Nut Assembly:

Align the holes in the parts to be fastened. Start preliminary tightening of bolt into weld nut by hand. Tighten each bolt with a wrench until the lock washer is fully compressed between the head of the bolt and the flat washer.



Correct Assembly:

Bolt has been screwed securely into weld nut and the connection is tight. Check connections periodically for tightness during the life of the Play Set . **Do not over tighten.**



Incorrect Assembly:

During assembly or maintenance the bolt protrudes 1/8" past the weld nut. Call customer service or replace the bolt at a local hardware store. You may be overtightening or using the wrong size bolt. **Failure to replace this bolt with a shorter one could result in serious injury.**

ASSEMBLY INSTRUCTIONS

Note: A Hex Bolt Assembly consists of one Hex Bolt, one Lock Washer, one Flat Washer and one Weld Nut.

STEP 1 – Assemble Top Ladder:

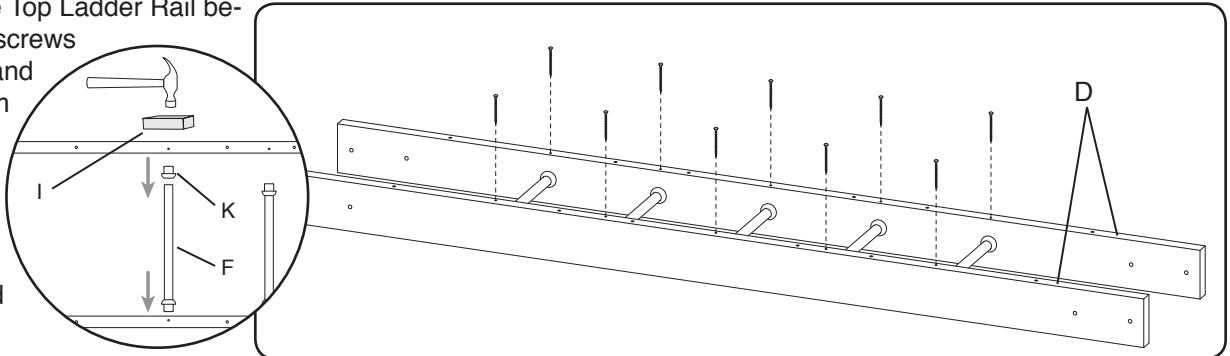
Slide a Rung Collar (K) over each end of all 15" Rungs (F).

Lay one Top Ladder Rail (D) on a smooth flat surface with the holes facing as shown. Press each 15" Rung Assembly in place until the Rung Collar is tight against the Top Ladder Rail. Position the other Top Ladder Rail so the Rung Assemblies fit into the holes. If the fit is too tight to assemble by hand, use a hammer, padded with the Assembly Block (I), to force the Top Ladder Rail onto the Rung Assembly.

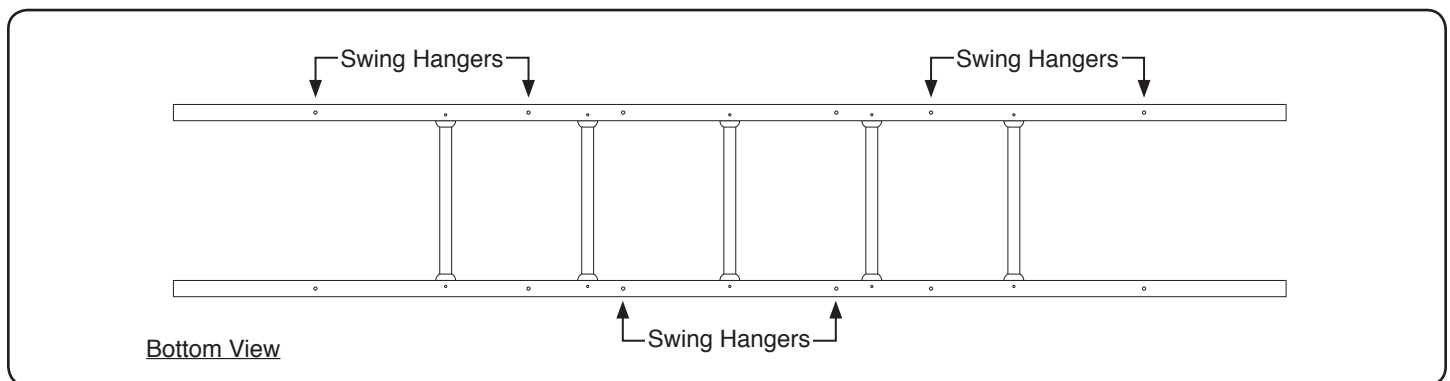
Note: Before assembly make sure the Swing Hanger holes in the Top Ladder Rails are facing the same direction.

Use one #10 x 3-3/4" Self-drilling screw to secure each end of each Rung. Make sure that the collar of each Rung Assembly is tight against the Top Ladder Rail before inserting the screws

into the holes and fastening them with a drill fitted with a #2 Phillips bit. When fastening, press firmly with your body mass centered over the drill.



STEP 2 – NyGlide Swing Connectors:

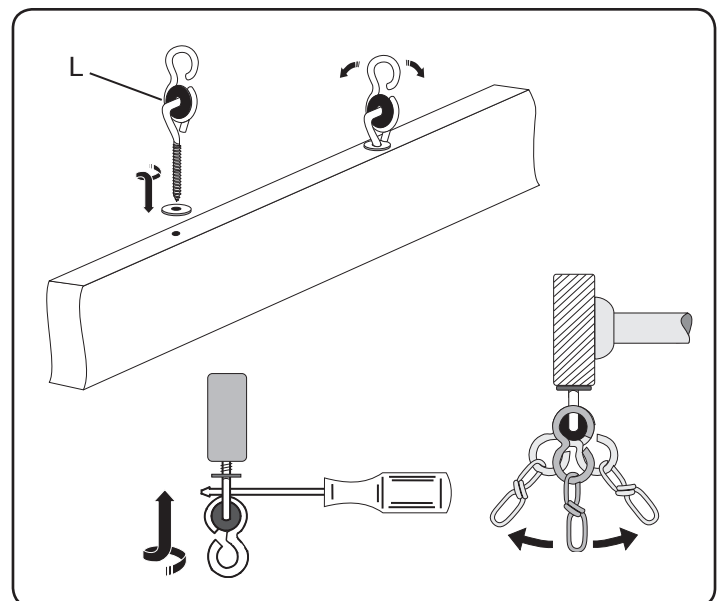


Install the NyGlide Swing Hangers (L), alternating in pairs, to the front and back Top Ladder Rails as shown above.

Insert the screw end of a NyGlide Swing Hanger through a 5/16" flat washer and into one of the holes in the Top Ladder. Use a screwdriver for leverage while turning the NyGlide into the wood. The connector must be screwed into the wood fully, with the bend of the shaft resting firmly against the 5/16" flat washer. Repeat with the other NyGlide Swing Hangers.

The swing motion must be perpendicular to the Ladder Rail.

CAUTION: If these installation instructions are not explicitly followed, the NyGlide shaft will break or pull out of the wood and injuries will result.



ASSEMBLY INSTRUCTIONS

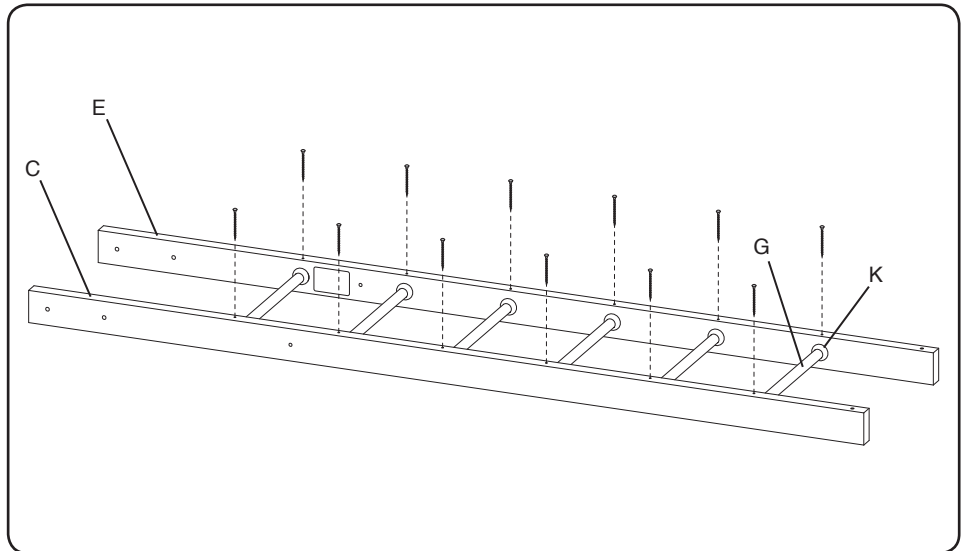
STEP 3 – End Ladders:

Slide a Rung Collar (K) over each end of all 18" Rungs (G).

Assemble one Right End Ladders Rail (C) and one Left End Ladder Rail with the Rung Assemblies in the same manner as the Top Ladder. See illustration at right for orientation of rails.

Use one #10 x 2-1/2" Self-drilling Screw to secure each end of each Rung. Make sure that the collar of each Rung Assembly is tight against the End Ladder Rail before inserting the screws into the holes and fastening them with a drill fitted with a #2 Phillips bit.

Repeat with the other End Ladder.



STEP 4 – Base Rail & Side Supports:

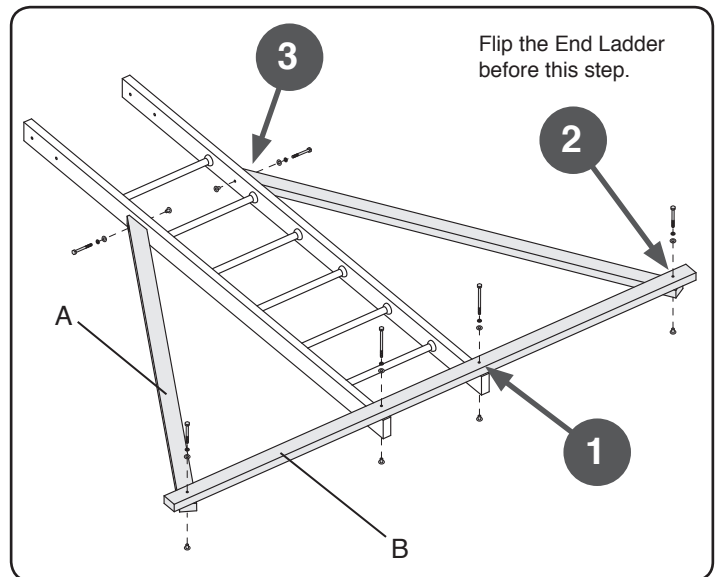
Flip the End Ladder so that the screws holding the Rungs are face down.

Attach the End Ladder Base (B) to the outside of the End Ladder as shown at point #1 using two 1/4" x 4-1/2" Hex Bolt Assemblies.

Attach the Side Supports (A) to the End Ladder Base as shown at point #2 using two 1/4" x 2-1/2" Hex Bolt Assemblies.

Align each Side Support so that the angled end fits flush with the side of an End Ladder Rail. Attach each Side Support as shown at point #3 using one 1/4" x 2-1/4" Hex Bolt Assembly.

Repeat with the other End Ladder.



STEP 5 – Top Ladder to End Ladders:

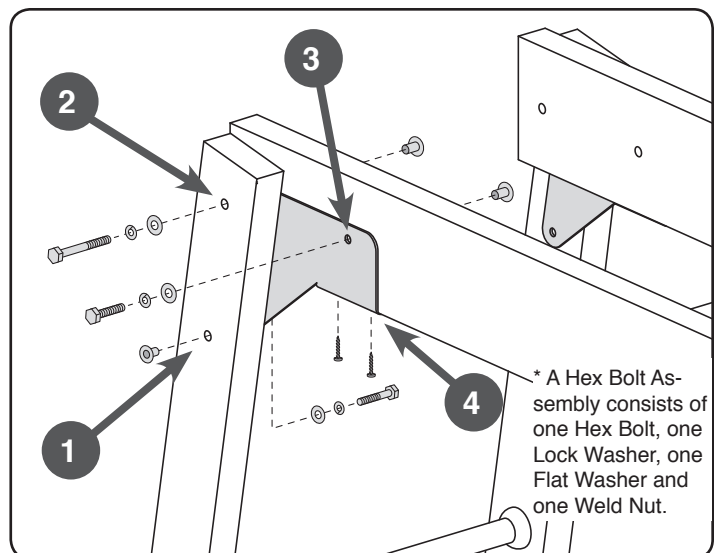
This kit may contain either flat 6" Triangle Braces or flanged Triangle Braces (shown). The flanged braces come in left and right versions. Install each brace so the flange fits under the Top Ladder Rail.

Attach one Triangle Brace (L) to the inside of the End Ladder Rail at (1) using one 5/16 x 1-1/2" Hex Bolt Assembly*.

Align the Triangle Brace, Top Ladder and End Ladder Rails at point (2). Fasten using one 5/16 x 3" Hex Bolt Assembly.

Attach the Triangle Brace to the Top Ladder at (3) using one 5/16 x 1-1/2" Hex Bolt Assembly. If the plate has a flange, fasten the flange to the under side of the Top Ladder Rail at (4) using two #10 x 3/4" Pan Head Screws.

Repeat on the other Top Ladder Rail and at the other end of the set.



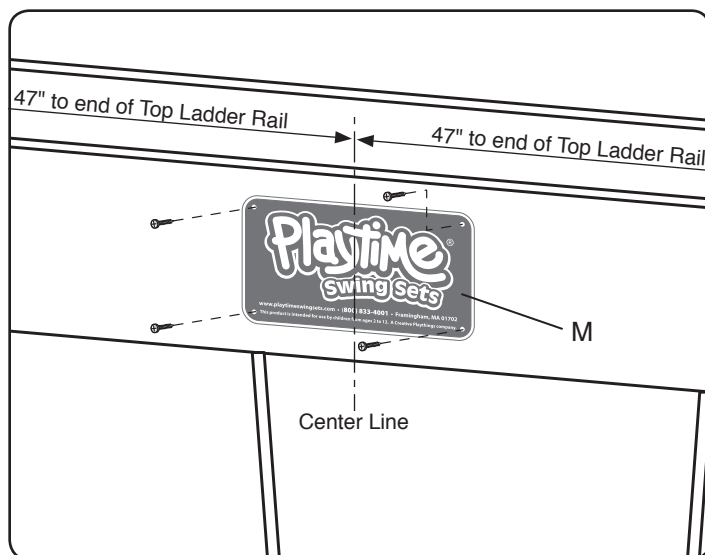
* A Hex Bolt Assembly consists of one Hex Bolt, one Lock Washer, one Flat Washer and one Weld Nut.

ASSEMBLY INSTRUCTIONS

STEP 6 – Name Plate:

It is important to fasten the Playtime Name Plate (M) to the Top Ladder. Federal law requires that the name of the manufacturer be permanently fastened to the gym, for identification in case of warranty claim.

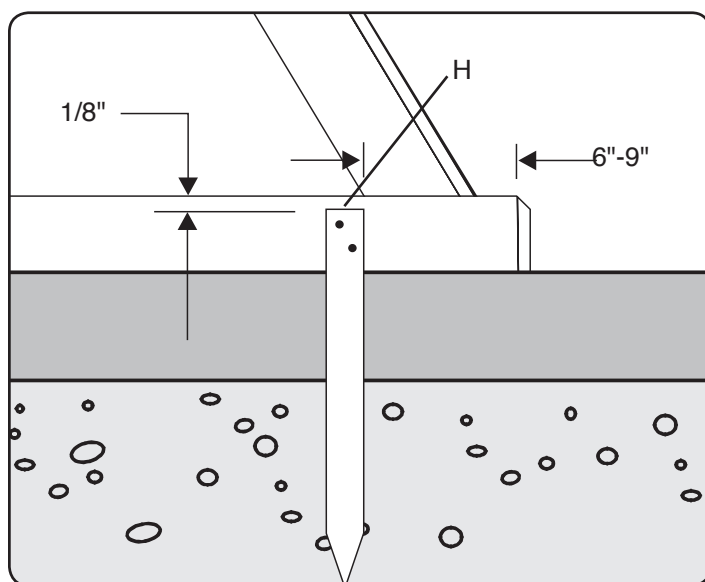
Center the nameplate on the forward facing surface of the Top Ladder. Use the included #6 x 1/2" pan head screws to attach the name plate to the Top Ladder. Make sure that the screws are slightly loose. This will keep the nameplate from bending due to temperature and moisture changes in the wood.



STEP 7 – Ground Stakes:

Hammer Ground Stakes (H) into the ground 6 to 9 inches from each end of each End Ladder Base Rail (B). Secure each stake with two #8 x 2-1/2" Screws through the pre-drilled holes.

Note: Do NOT use concrete to set Ground Stakes. Pound a metal spike or rod into the ground to start a hole in hard or rocky ground.



STEP 8 – Hang Swings:

Hang the Swings and Trapeze in the positions shown. Follow the safety warnings included.

U.S. safety standards require a minimum clearance of 8" from the bottom of each Swing Accessory to the ground. U.K. (& E.U.) safety standards require a minimum clearance of 350mm (13-3/4") between the bottom of each Swing Accessory and the ground.

The height of each Swing Accessory is adjusted by using a different link in the chain. Be sure to hang the Swings Accessories with ground clearance greater than or equal to the safety standard for your region.

