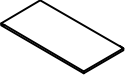
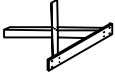
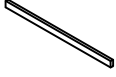






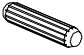
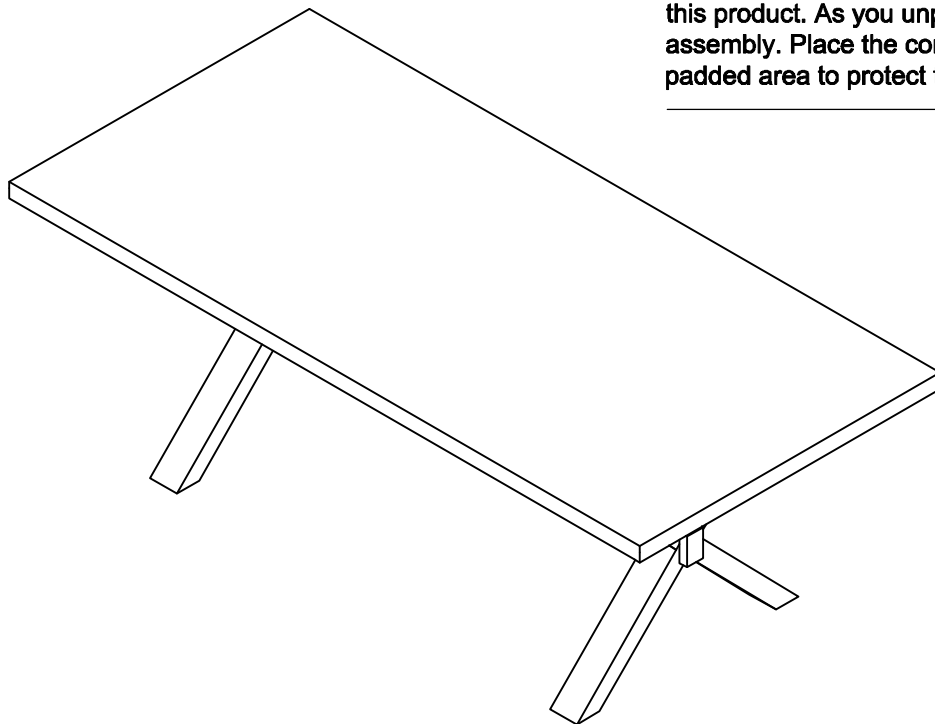


ASSEMBLY INSTRUCTION

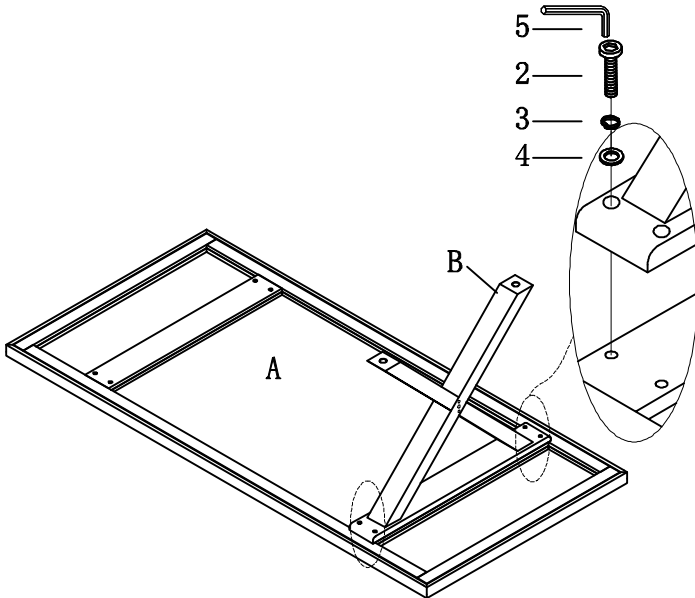
DINING TABLE

A ZINC TABLE TOP	B LEG FRAME	C CROSS BAR	D WOOD BLOCK
			
1PC	2PCS	1PC	2PCS
1 BOLT-LARGE Ø1/4"X3-1/2"	2 BOLT-SMALL Ø"1/4X1-1/4"	3 LOCK WASHER Ø1/4"	4 FLAT WASHER Ø1/4"X13mm
			
2PCS	8PCS	10PCS	10PCS
5 ALLEN KEY 4mm	6 WOODEN DOWEL Ø8X30mm		
			
1PC	4PCS		

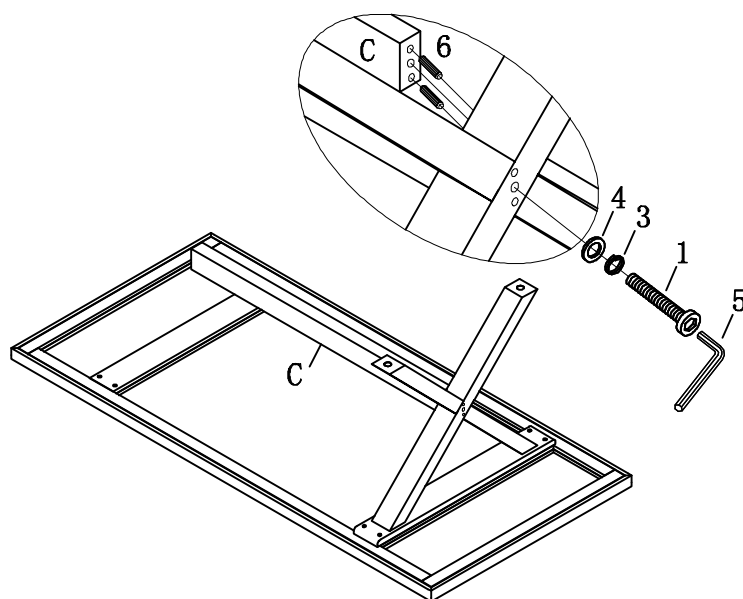
This page lists all the contents included in the box. Please take the time to identify the hardware as well as the individual components to this product. As you unpack and prepare for assembly. Place the contents on a carpeted or padded area to protect them from damage.



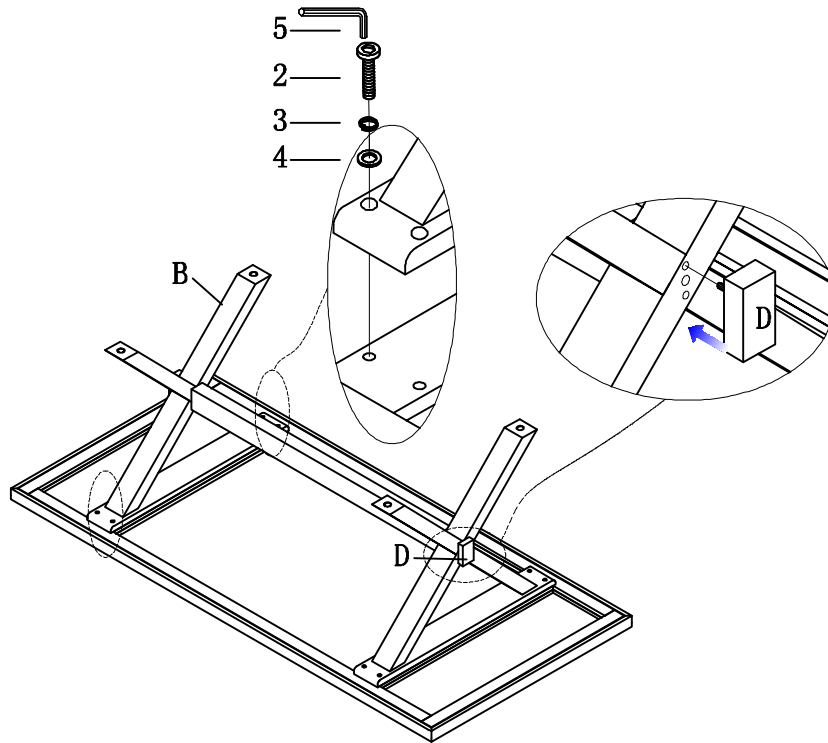
-
- 1** Lock leg frame(B) on the zinc table top(A) by using allen key(5), bolt-small(2), lock washer(3) and flat washer(4).



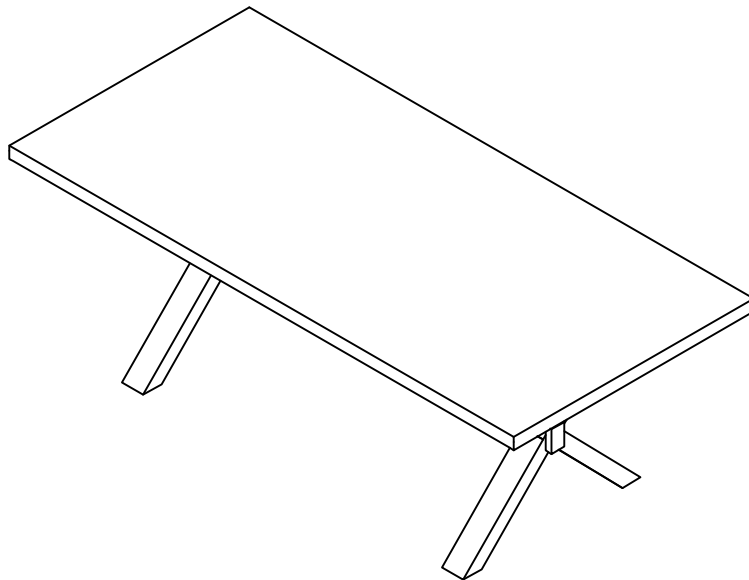
-
- 2** Lock a side of cross bar(C) to leg frame(B) by using flat washer(4), lock washer(3), bolt-large(1), allen key(5) and wooden dowel(6).



3 Repeat step 1 and step 2 . Put wood block(D) onto both sides of leg frame(B).



4 Completed.










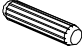


Cleaning & Care

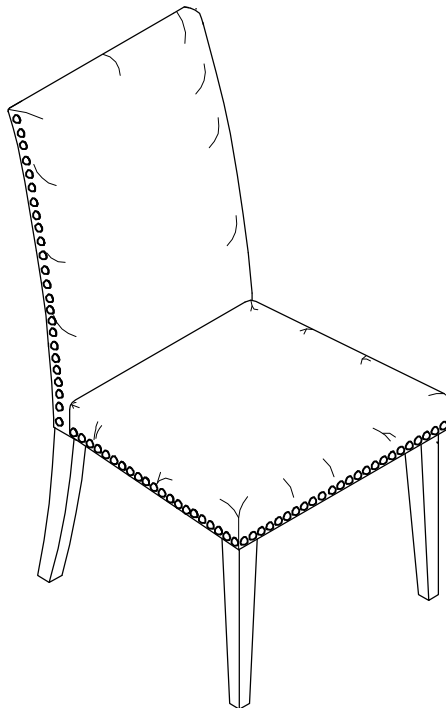
Treat surface with care. Surface is resistant to scratches but is not scratch resistant. Clean surfaces with a dry or damp soft cloth. Do not use abrasive cleaners. Hardware may loosen over time. Periodically check that all connections are tight.

ASSEMBLY INSTRUCTION

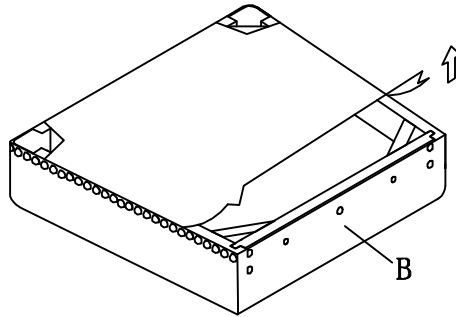
SIDE CHAIR

A FRONT LEG LSF/RSF  2PCS	B CUSHION  1PC	C BACK PAEL  1PC	
1 BOLT-SMALL Ø5/16"X1-3/4"  2PCS	2 BOLT MIDDLE Ø5/16"X2-1/4"  4PCS	3 BOLT-LARGE Ø5/16"X3-1/2"  4PCS	4 LOCK WASHER Ø5/16"  10PCS
5 FLAT WASHER Ø5/16"X23mm  10PCS	6 ALLEN KEY 5mm  1PC	7 WOODEN DOWEL Ø8X30mm  1PC	

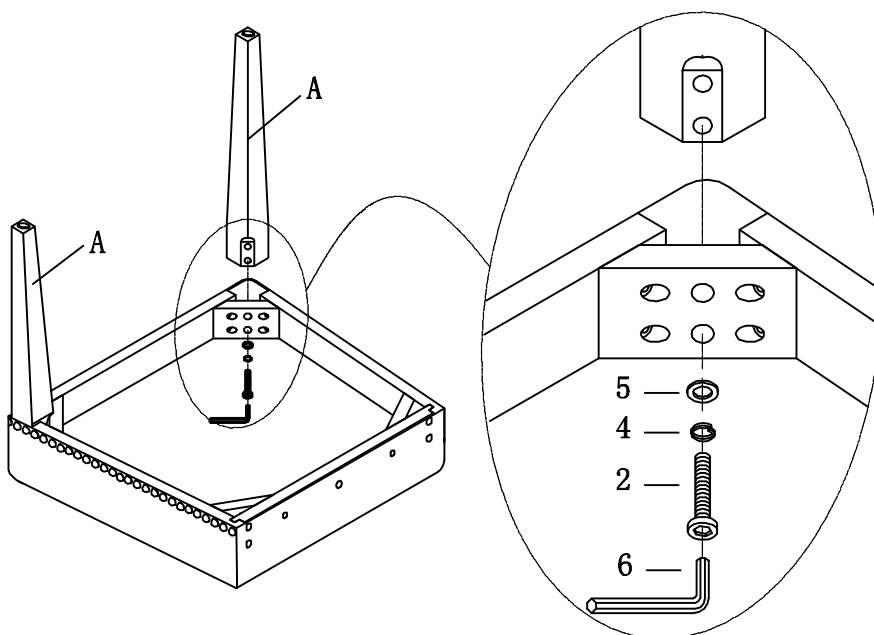
This page lists all the contents included in the box. Please take the time to identify the hardware as well as the individual components to this product. As you unpack and prepare for assembly. Place the contents on a carpeted or padded area to protect them from damage.



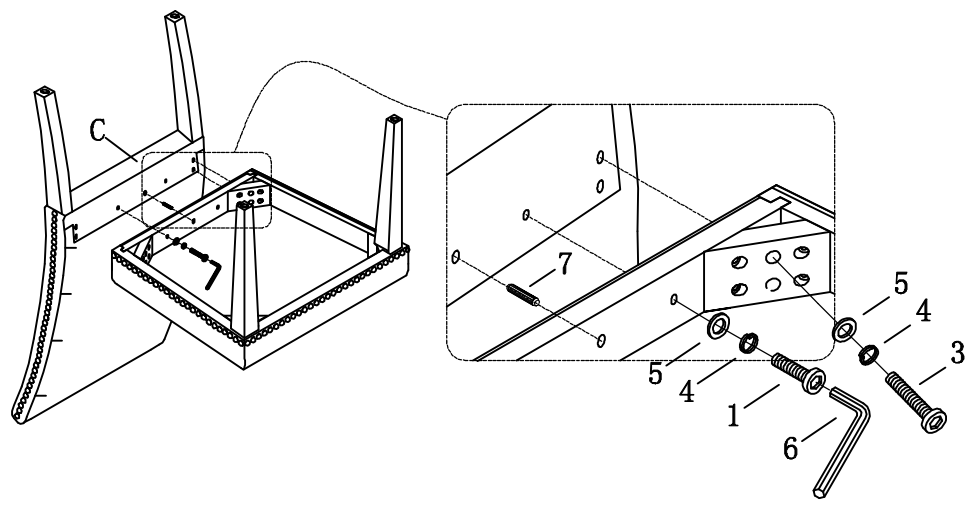
1 Open fabric cover that underneath cushion(B).



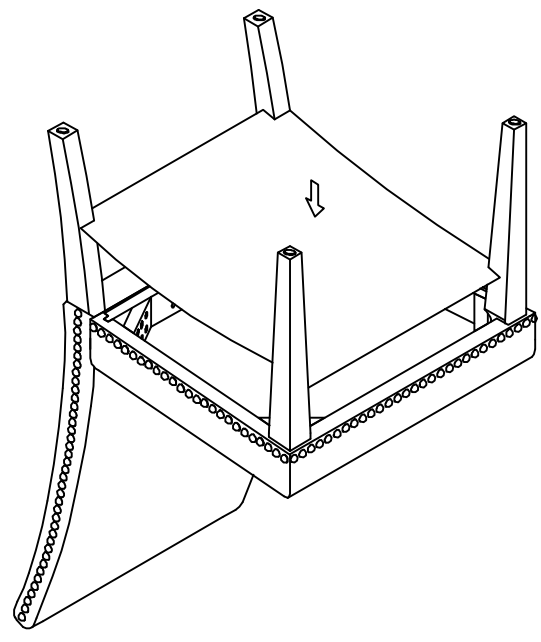
2 Lock front leg LSF/RSF(A) to cushion(B) by using flat washer(5), lock washer(4), bolt middle(2) and allen key(6).



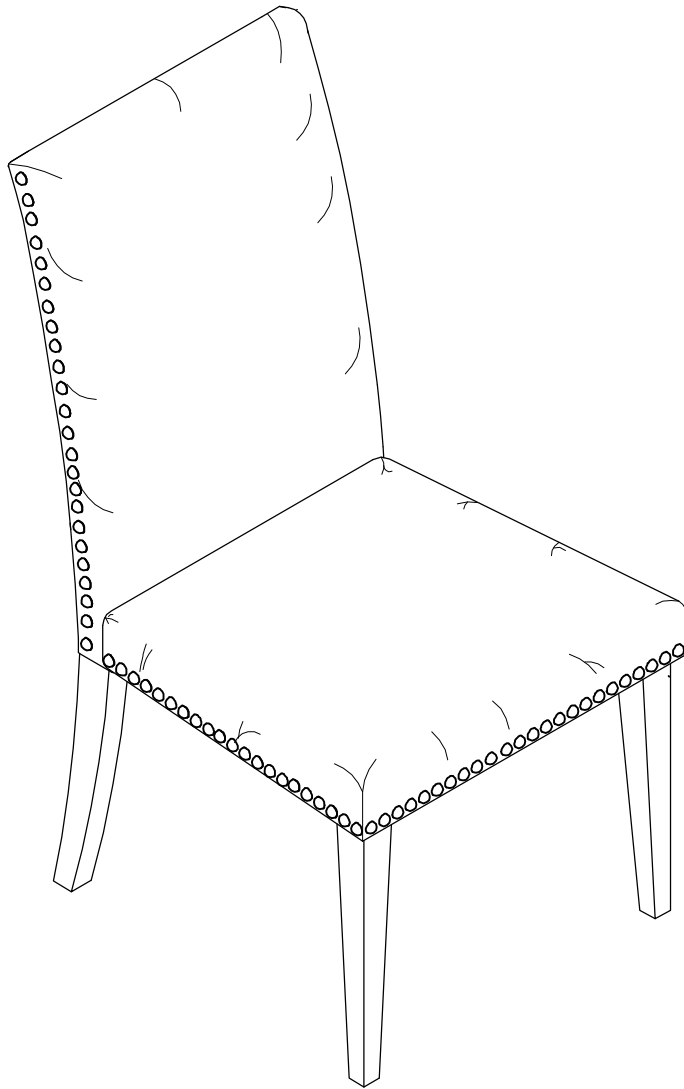
3 Lock assembled cushion(B) on back panel(C) by using allen key(6), bolt small(1), lock washer(4), flat washer(5) and bolt larger(3), lock washer(4), flat washer(5).



4 Stick the fabric cover to the frame.



5 Completed.



Cleaning & Care

Treat surface with care. Surface is resistant to scratches but is not scratch resistant. Clean surfaces with a dry or damp soft cloth. Do not use abrasive cleaners. Hardware may loosen over time. Periodically check that all connections are tight.