

RANGE HOOD

SPECIFICATIONS

MODEL# COS-668AS750

FEATURES



DESIGNED FOR WALL MOUNTING

3 FAN SPEEDS

380 CFM AIRFLOW CAPACITY

SOFT TOUCH CONTROLS WITH LCD DISPLAY

ARC-FLOW® PERMANENT FILTERS

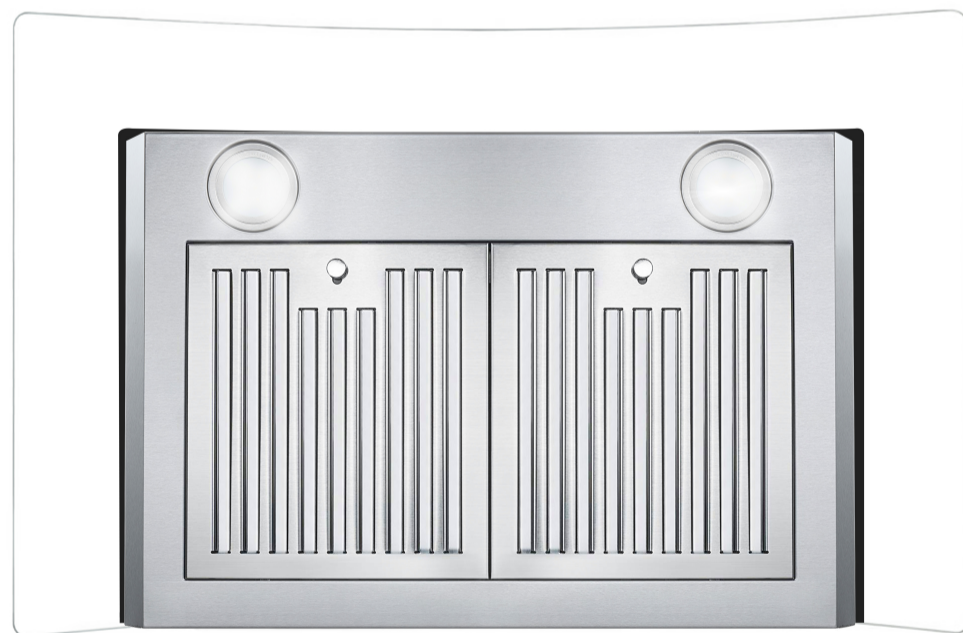
2 FRONT LED LIGHTS

65 dB. FOR QUIET OPERATION

CURVED TEMPERED GLASS HOOD

The perfect piece for any contemporary kitchen, Cosmo's COS-668AS750 Range Hood is powered by 380 CFM of suction, front LED lights and ARC-FLOW® Permanent Filters.

SEE PAGE 2 FOR DIMENSIONS



Size	30 Inch
Mounting Type	Wall Mount
Controls	Soft Touch with LCD Display
Filters	2x Stainless Steel Baffle Filters
Material	Stainless Steel, Tempered Glass
Air Flow	380 CFM
Noise Level	65dB (Max)

Vent Style	External
Lighting	2x Front LED
Voltage	120V / 60Hz
Wattage	180W
Included Components	Bulb(s), Damper, Exhaust Vent, Fan Hardware, Installation Kit, Power Cord

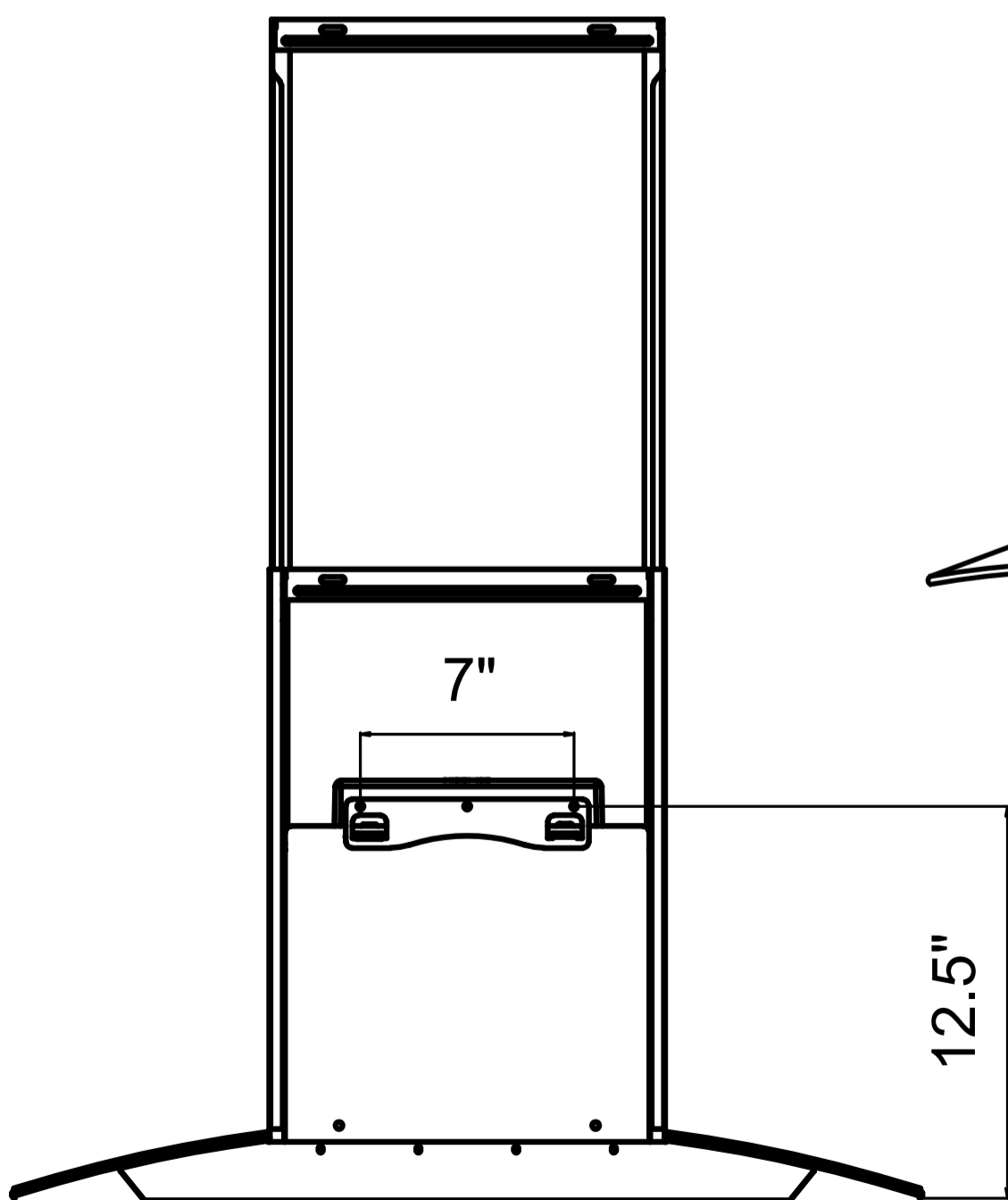
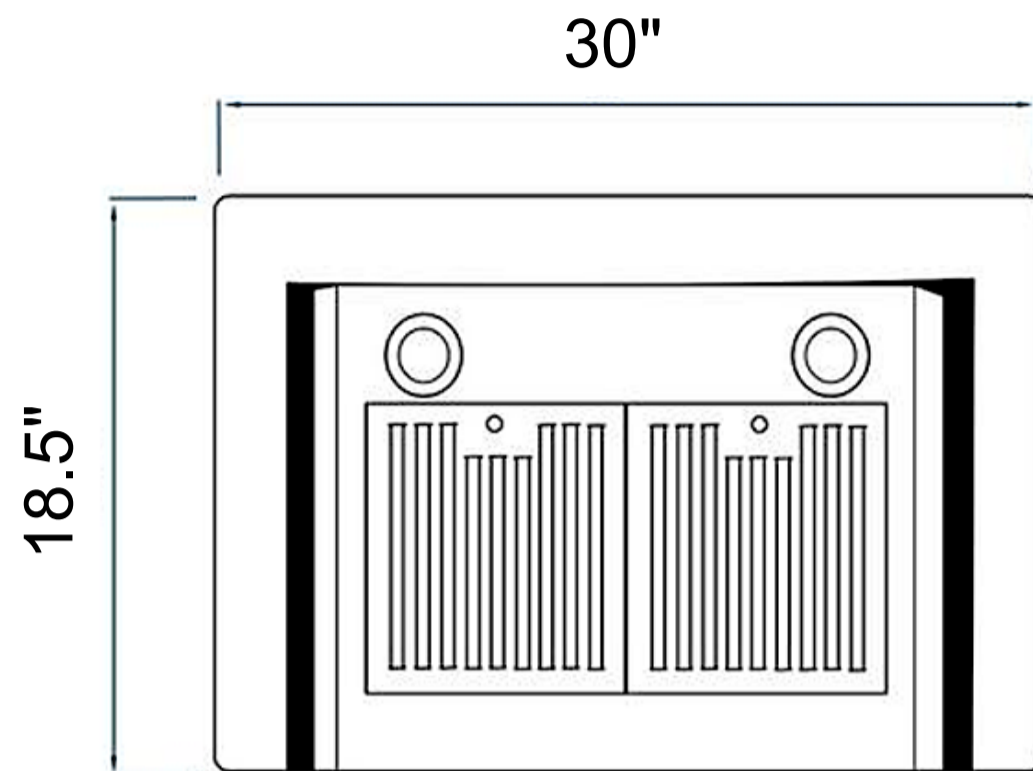
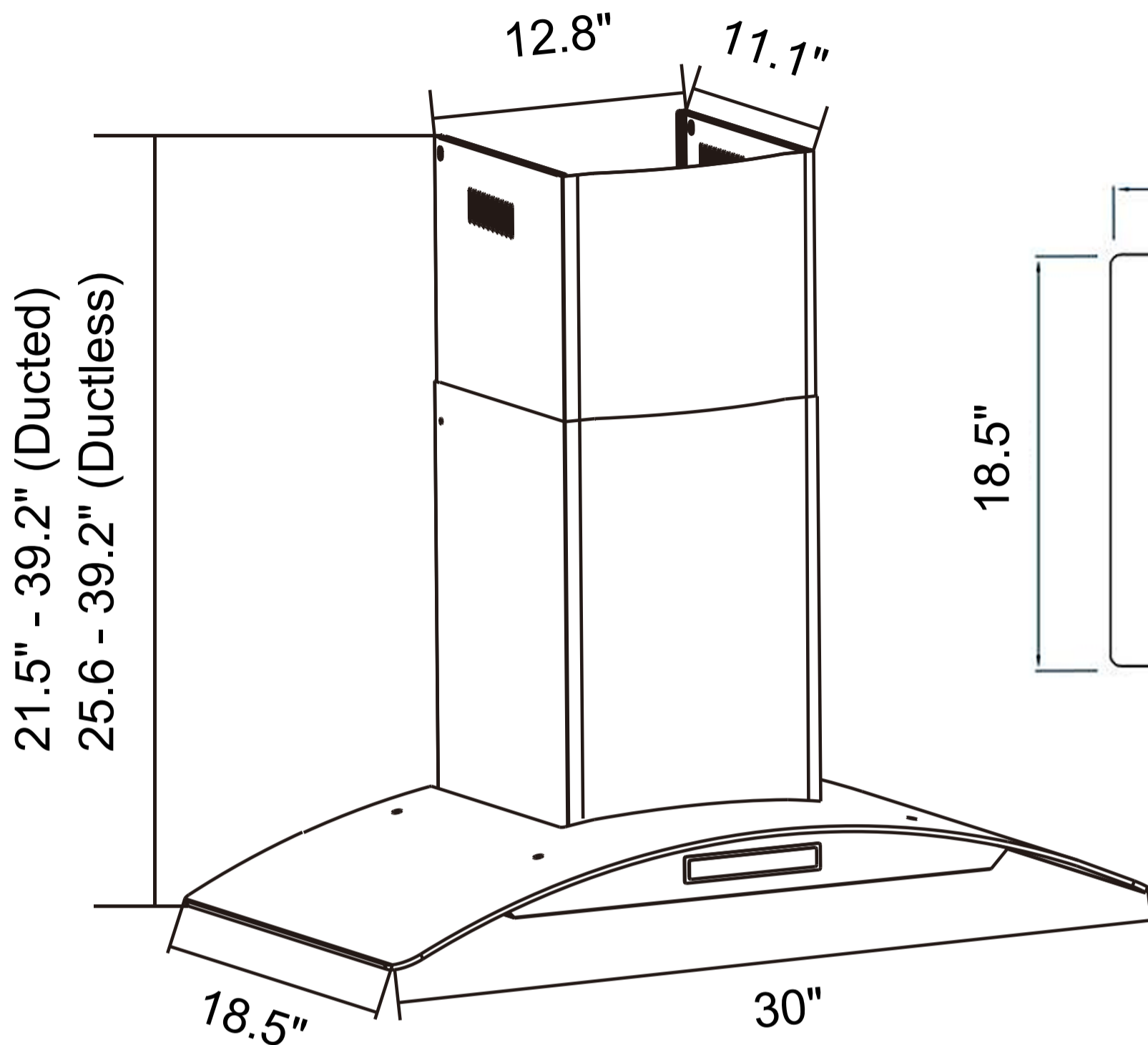


RANGE HOOD

MODEL# COS-668AS750

DIMENSIONS

Assembled Product Dimensions



Location of
3-Prong Power Cord

