

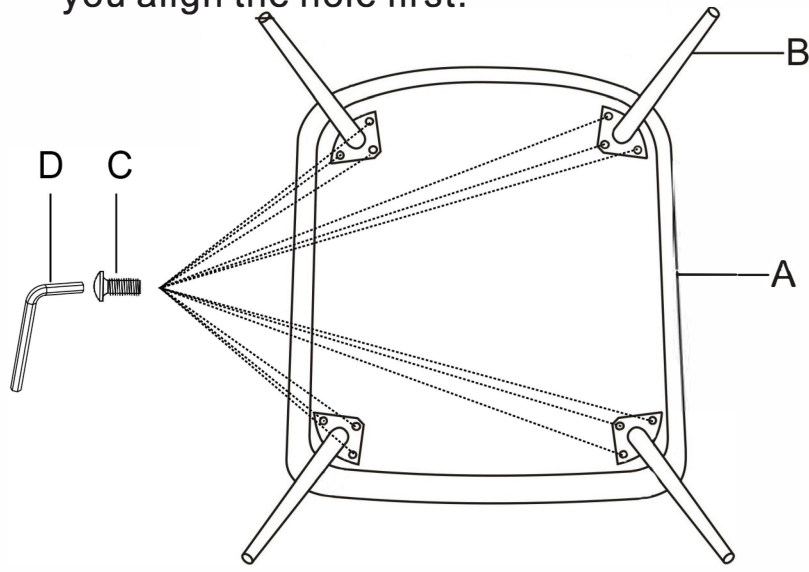
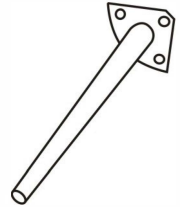

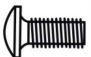


Assembling Instruction

<p>Ax1</p>  <p>1 PC</p>	<p>EXTPA PATRS</p>  <p>2 PCS</p>	<p>① Do not fully tighten the bolts until all the bolt align with the hole. Pls be sure you align the hole first.</p> 
<p>Bx4</p>  <p>4 PCS</p>	<p>Dx1</p>  <p>1 PC</p>	
<p>Cx12</p>  <p>M6X18MM</p> <p>12 PCS</p>	<p>②</p> 