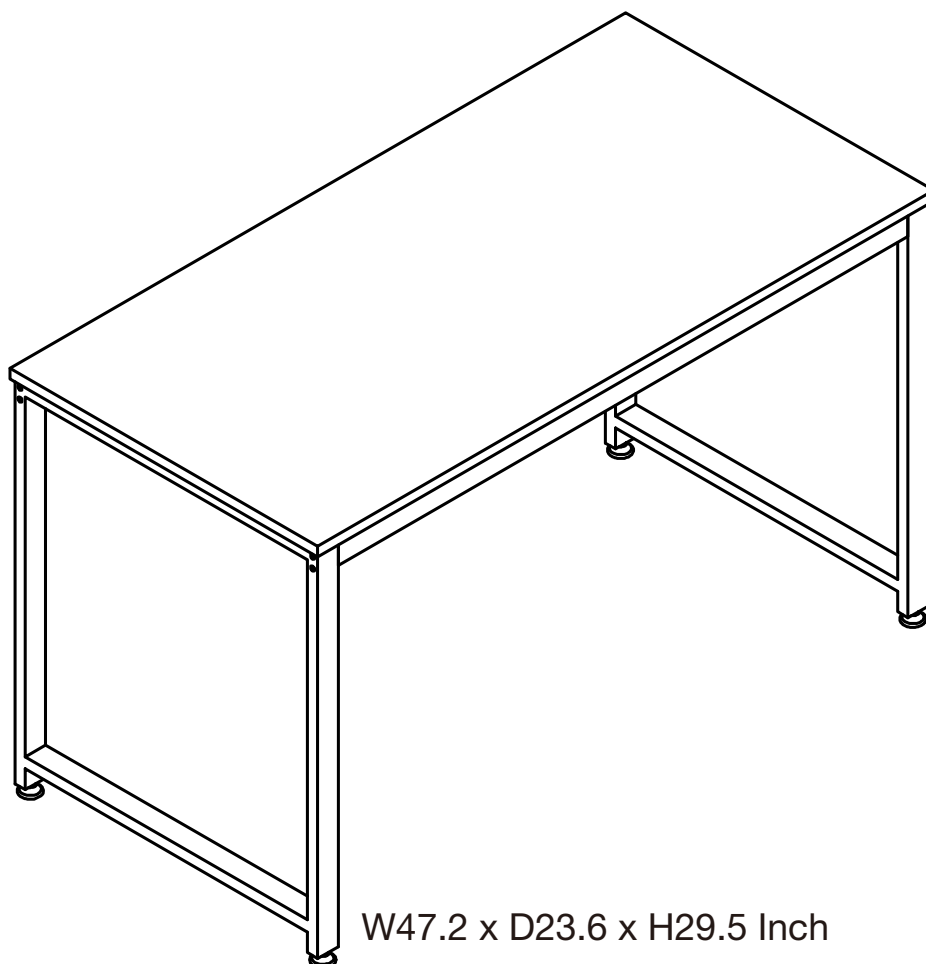

Computer Desk

ASSEMBLY INSTRUCTION



DO NOT over tighten the screws in the course of assembly. An over tightened screw can make the metal frame bent and the desk panel popped.

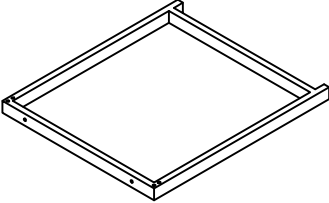
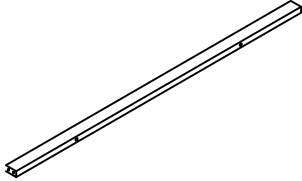
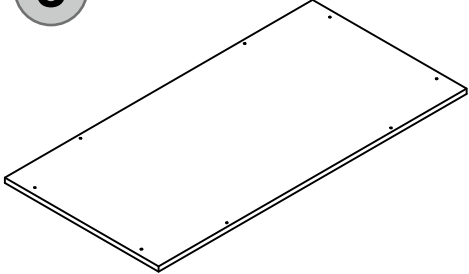

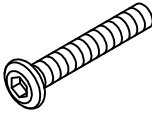
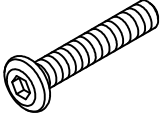




We suggest that you maintain a light tightness for all the screws during assembly, after assembling the entire desk, firmly tightening all the screws.

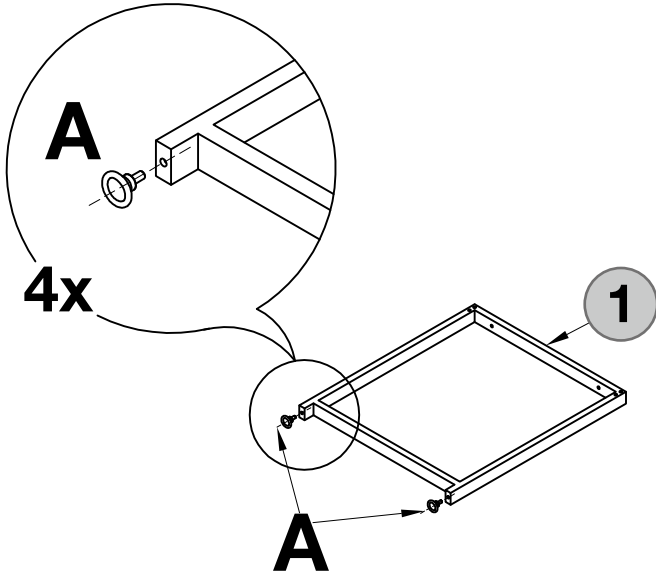


We guarantee that every product has been inspected before shipping. If you have any concerns or questions, please contact us,

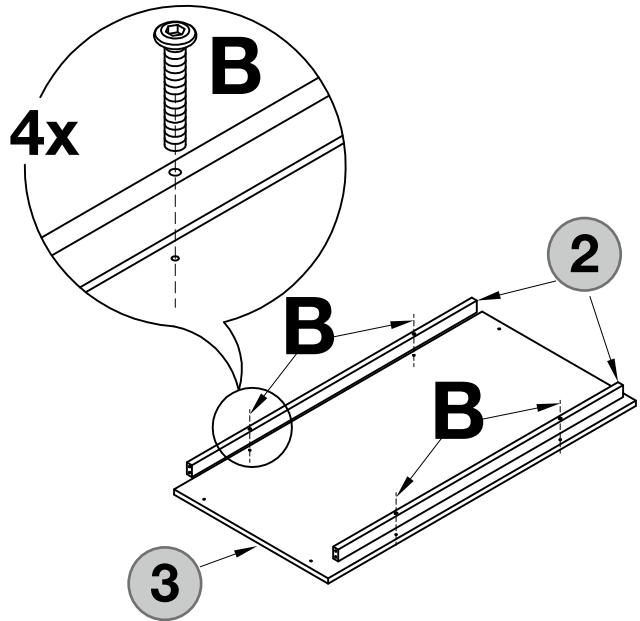
Components

<p>1</p>  <p>2 pcs</p>	<p>2</p>  <p>2 pcs</p>	<p>3</p>  <p>1 pc</p>
<p>A</p>  <p>4 pcs</p>	<p>B</p>  <p>12 pcs</p>	<p>C</p>  <p>4 pcs</p>
 <p>LOGO, 1 pc</p>		 <p>1 pc</p>

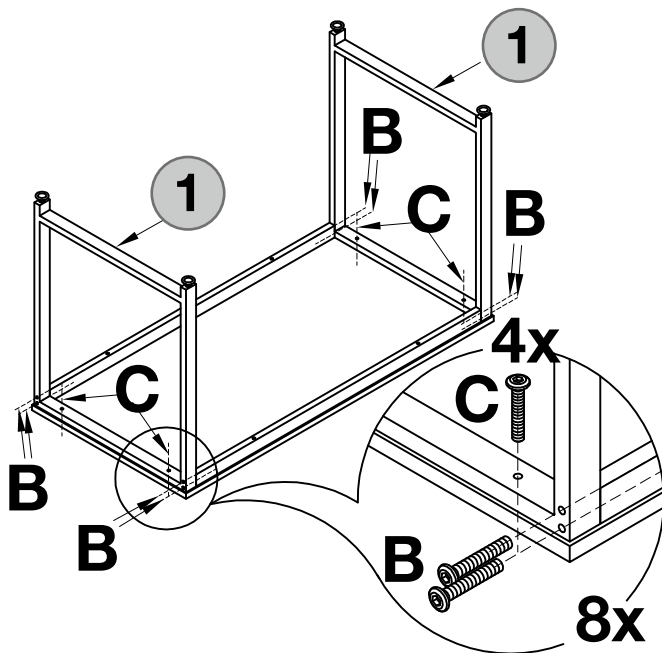
STEP 1



STEP 2



STEP 3



STEP 4

