

ASSEMBLY INSTRUCTIONS

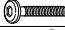




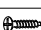
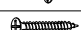

ASSEMBLY TIPS :

1. Remove hardware from box and sort by size.
2. Please check to see that all hardware and parts are present prior to start of assembly.
3. Please follow attached instructions in the same sequence as numbered to assure fast and easy assembly.

Component List

Headboard & Footboard		
No	Descriptions	Qty
A	Headboard Panel	1
B	Headboard Leg Left (L)	1
C	Headboard Leg Right (R)	1
D	Footboard Panel	1
E	Slat Cover	1
F	Drawer Slat	1
G	Drawer Slat Support	1
H	Bed Slat 3 Holes	3
I	Bed Slat 2 Holes	10
J	Bed Slat Support	3

Hardware List In Headboard & Footboard

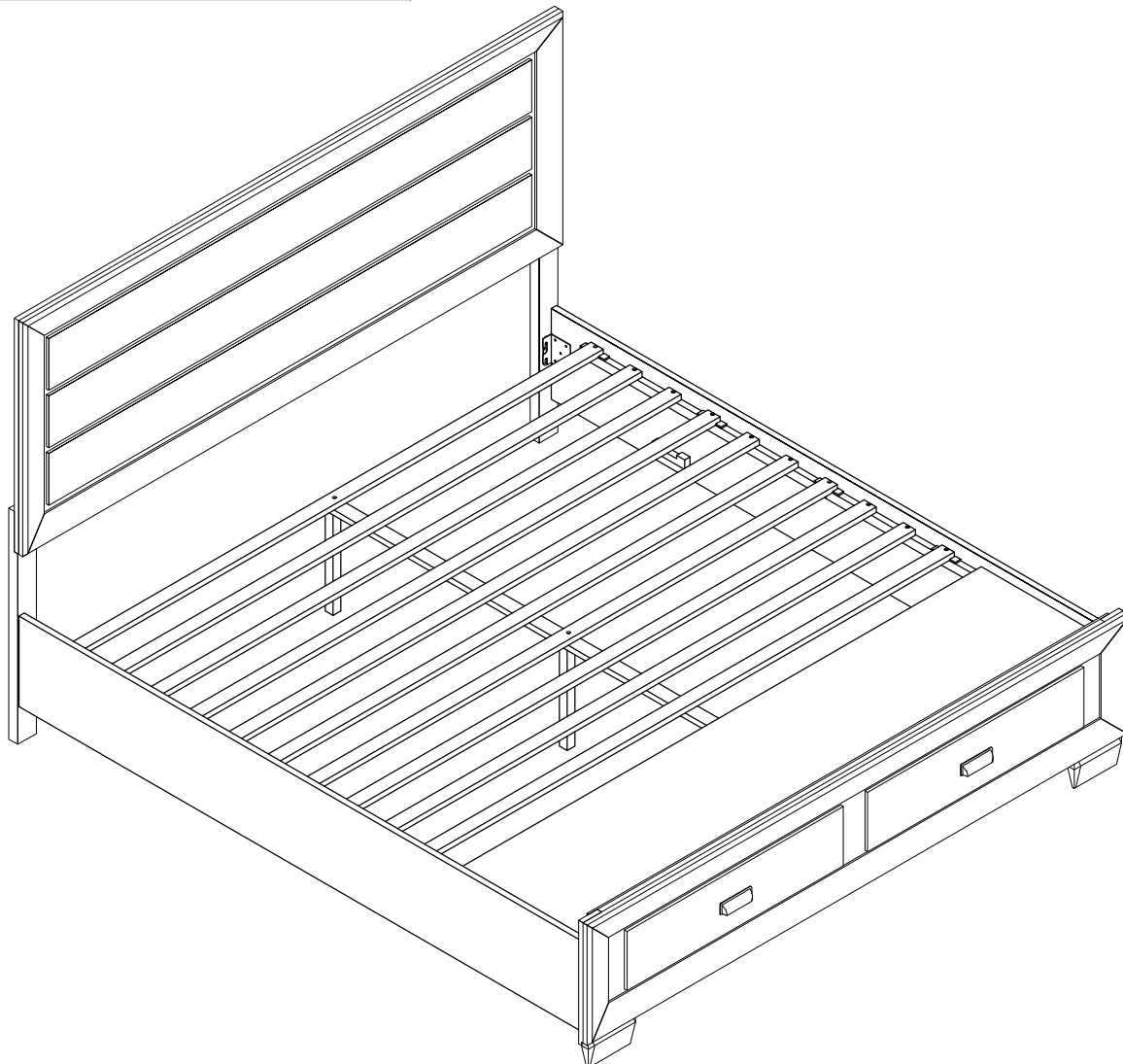
No	Descriptions	Qty
1	JCBC Screw M6 x 30mm 	6
2	Spring Washer Ø1/4" 	6
3	Flat Washer Ø1/4" x 13mm 	6
4	L Key M4 x 65mm 	1
5	L Key M5 x 65mm 	1
6	CSK M4 x 16mm 	7
7	CSK M4 x 32mm 	30
8	JCBC Screw M6 x 50mm 	4

Side Rail

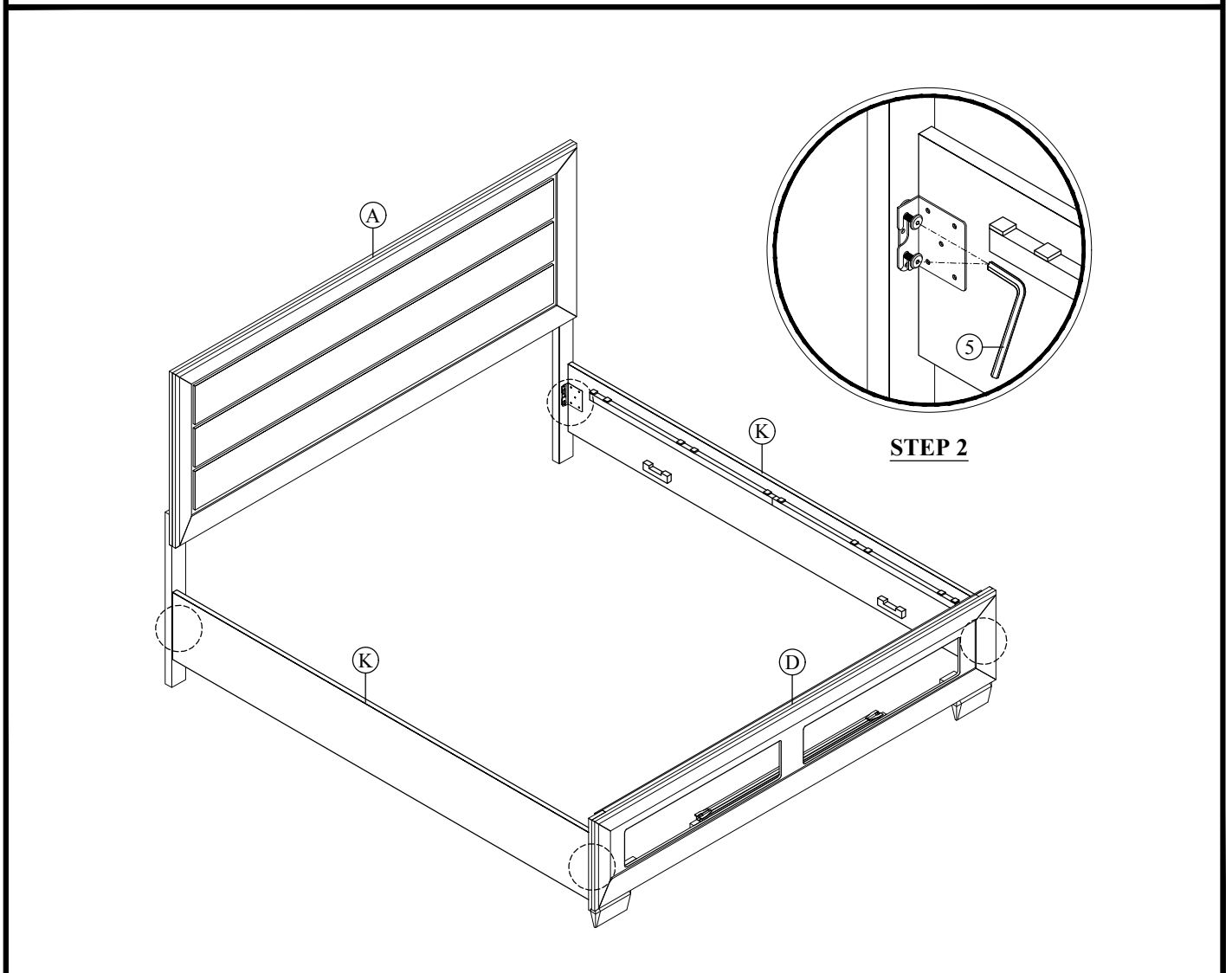
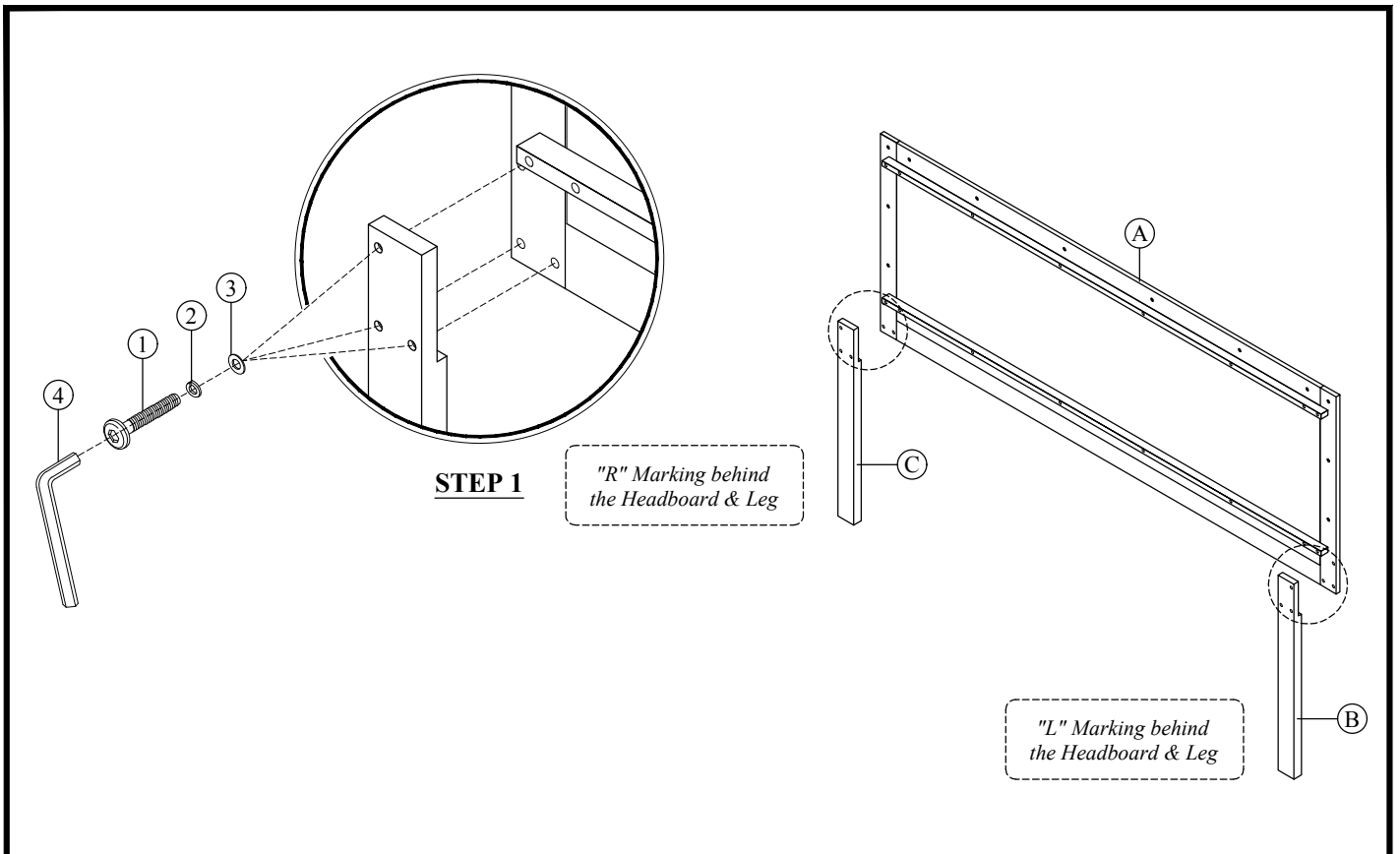
No	Descriptions	Qty
K	Bed Rail	2
L	Center Slat With 3 Holes	1

Drawer

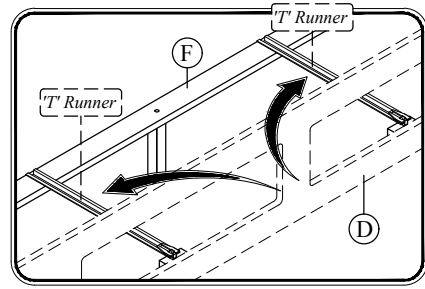
No	Descriptions	Qty
M	Drawer	2



ASSEMBLY INSTRUCTIONS

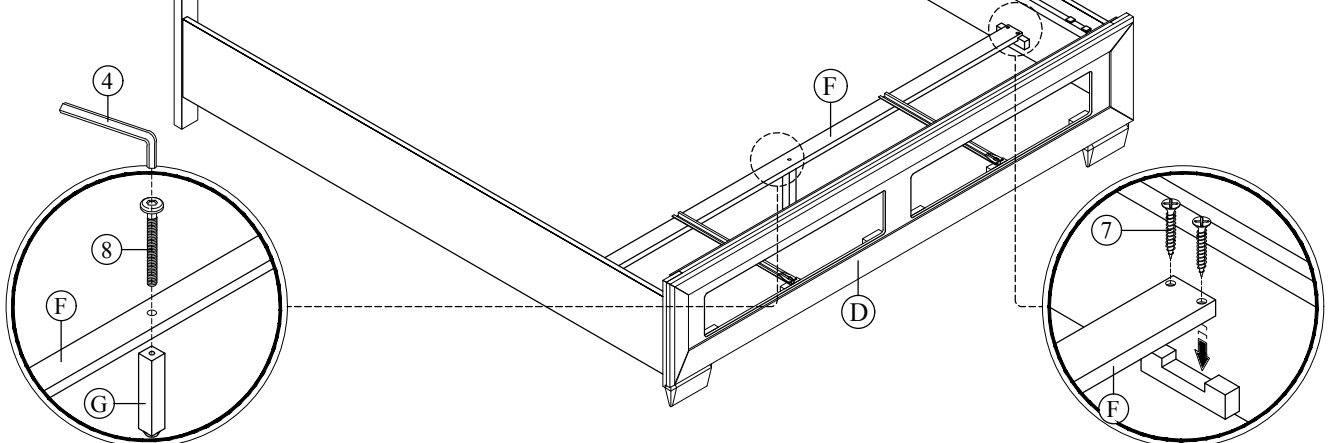


ASSEMBLY INSTRUCTIONS



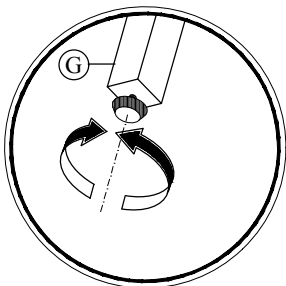
(Turn the 'T' runner towards the drawer slat.)

STEP 5



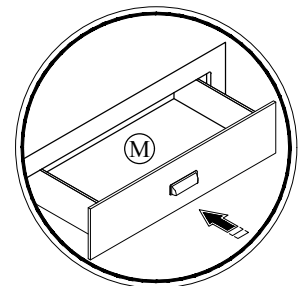
STEP 3

STEP 4

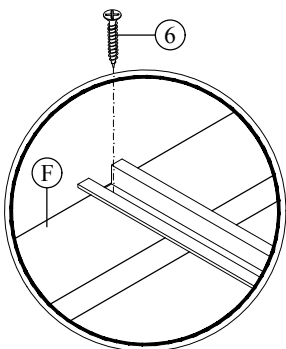


Adjust the adjuster until the drawer closes tightly.

STEP 8



STEP 6



After insert the drawer please fasten the T-Runner on the drawer slat with screw.

STEP 7

ASSEMBLY INSTRUCTIONS

