



SPECIFICATIONS

COS-668ICS750 Range Hood



Size	30 Inch
Mounting Type	Island Mount
Controls	Soft Touch with LCD Display
Filters	2 x Stainless Steel Baffle Filters
Material	Stainless Steel, Tempered Glass
Air Flow	380 CFM
Noise Level	65dB (Max)
Vent Style	External
Lighting	4 x LED, Each Corner
Voltage	120V / 60Hz
Wattage	196W
Included Components	Bulb(s), Damper, Exhaust Vent, Fan Hardware, Installation Kit, Power Cord

COS-668ICS750

The perfect piece for any contemporary kitchen, Cosmo's COS-668ICS750 Range Hood is powered by 380 CFM of suction, 4 LED lights, and ARC-FLOW® Permanent Filters.

Features

- Designed for island mounting
- 3 fan speeds
- 380 CFM airflow capacity
- Soft touch controls with LCD display
- ARC-FLOW® Permanent Filters
- 4 LED lights in each corner
- 65 dB for quiet operation
- Curved tempered glass hood



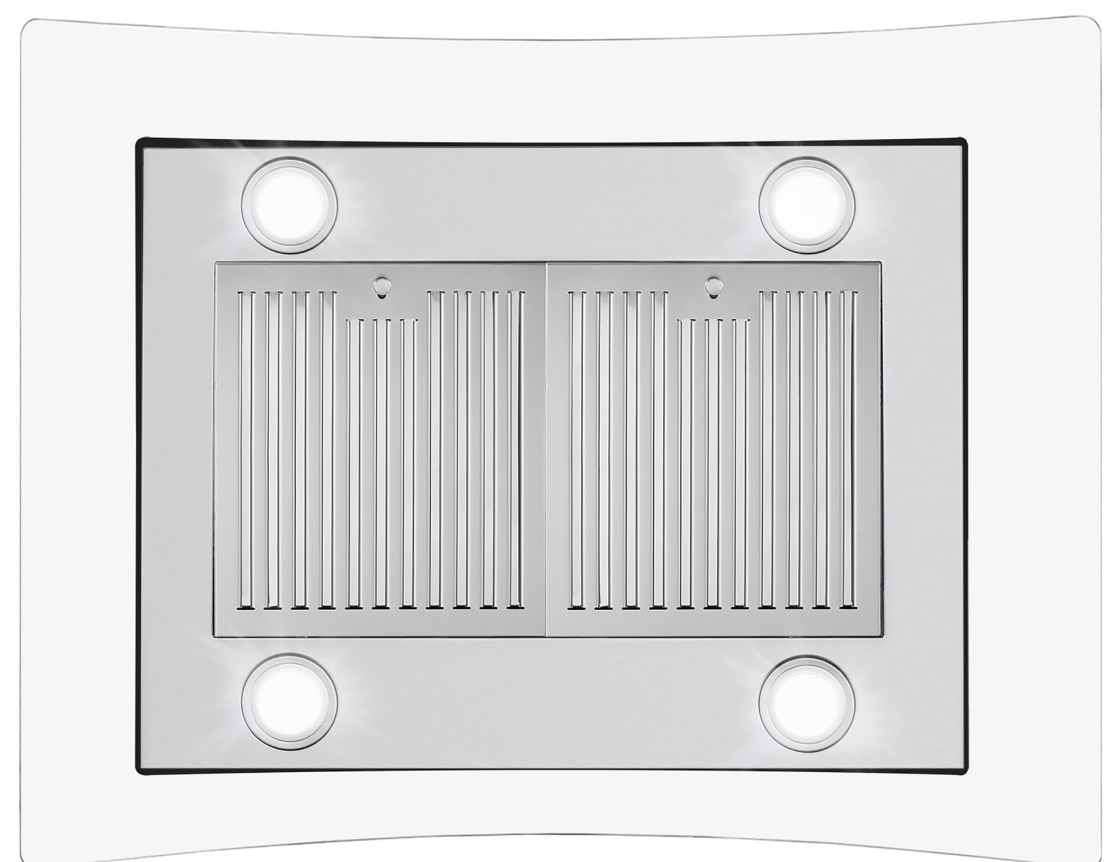
3 Fan Speeds



Soft Touch Controls



LED Lighting

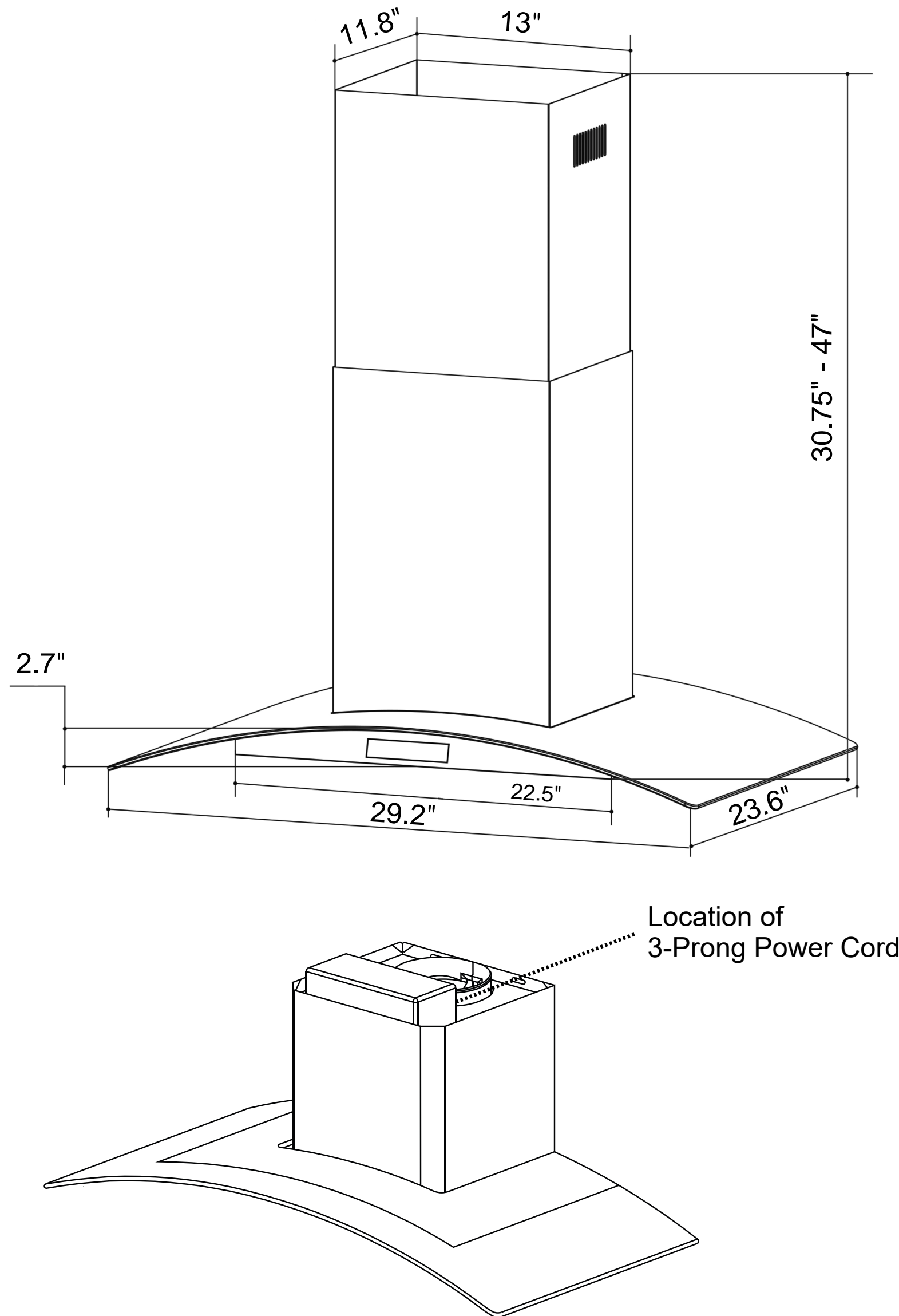


See Page 2 for dimensions



DIMENSIONS

COS-668ICS750 Range Hood



Dimensions (WxDxH): 29.2" x 23.6" x 30.75-47"