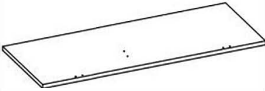
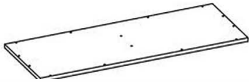




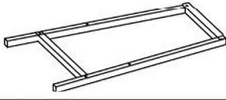











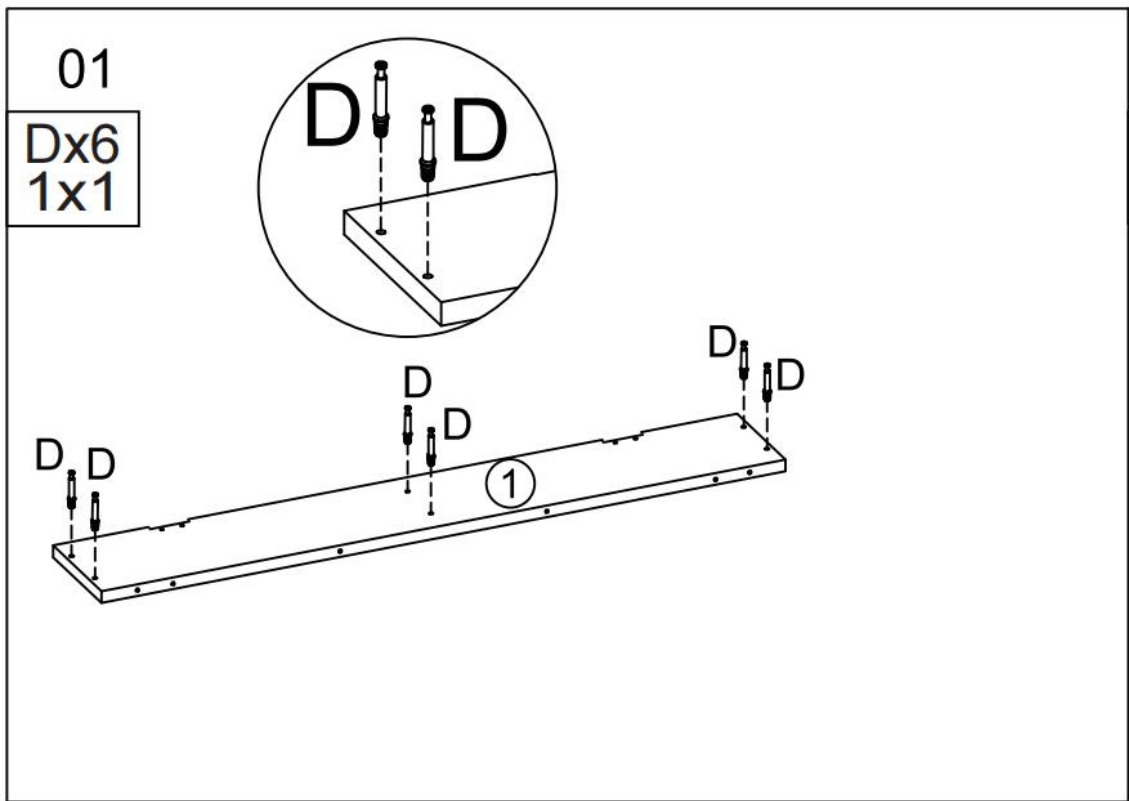
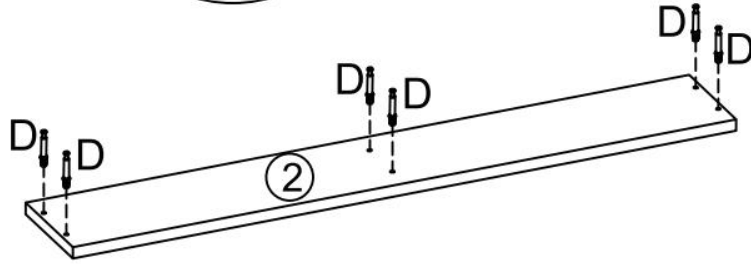
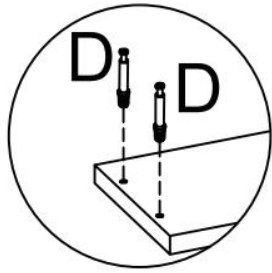

① 1pc	② 1pc	③ 2pcs	④ 1pc
			
⑤ 1pc	⑥ 1pc	⑦ 1pc	⑧ 1pc
			
⑨ 1pc	⑩ 1pc	⑪ 2pcs	⑫ 2pcs

							
A	16pcs	B	1pc	C	2pcs	D	12pcs
							
E	12pcs	F	20pcs	G	10pcs	H	10pcs
							
I	4pcs	J	1pc				



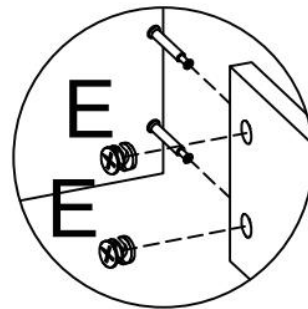
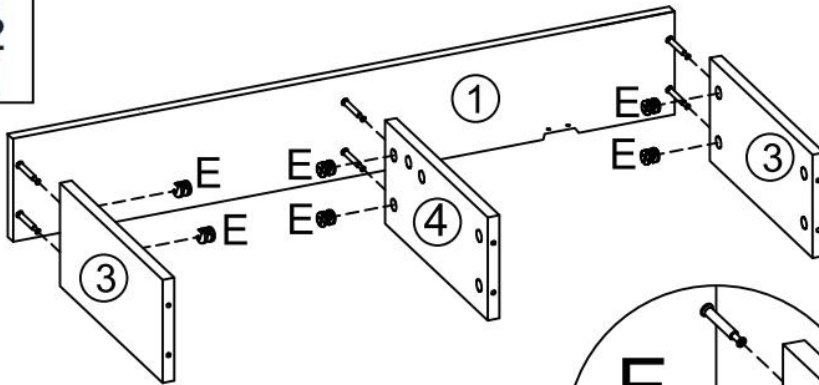
02

Dx6  
2x1



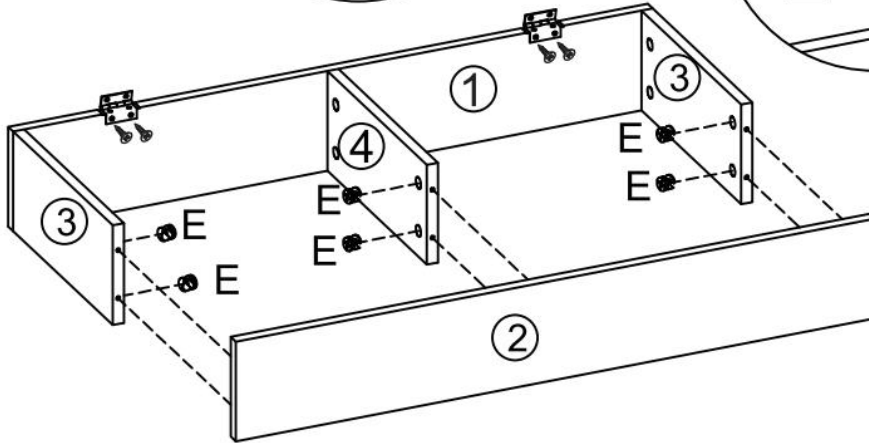
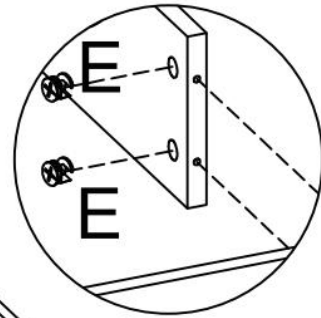
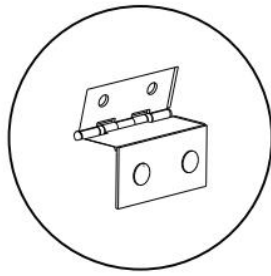
03

Ex6  
1x1  
3x2  
4x1



04

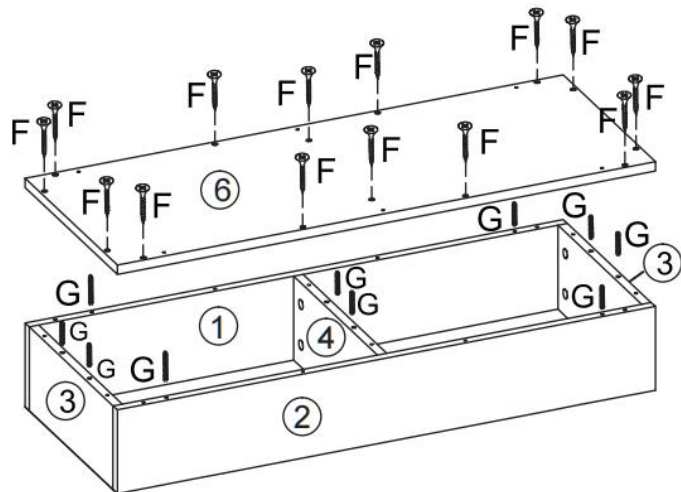
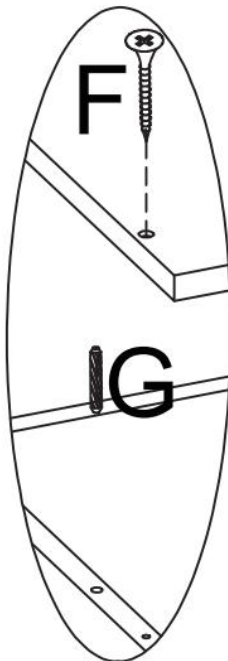
Ex6  
2x1  
Cx2  
Ax4



05

Fx14  
Gx10  
6x1

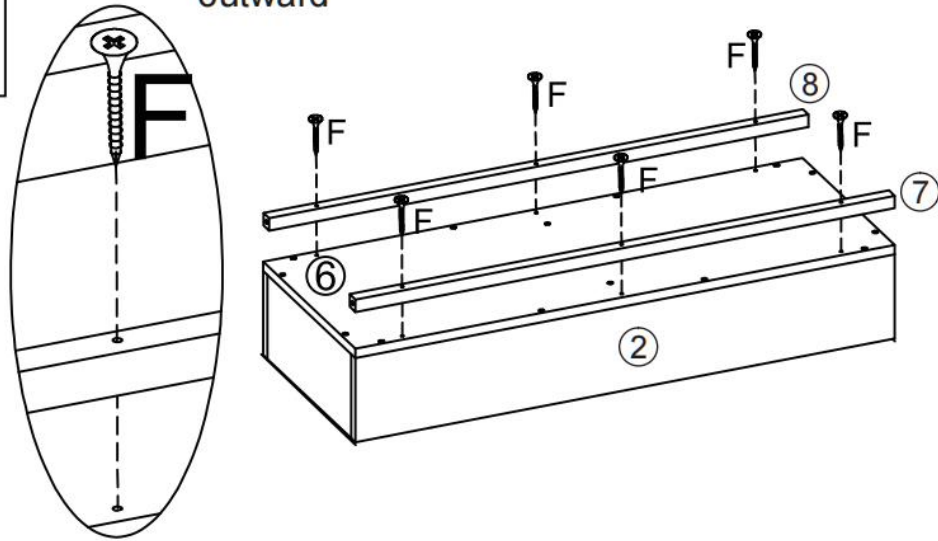
Tip: After completing step 4,  
please turn it over 180° and lay  
it flat for step 5 installation



06

Fx6  
7x1  
8x1

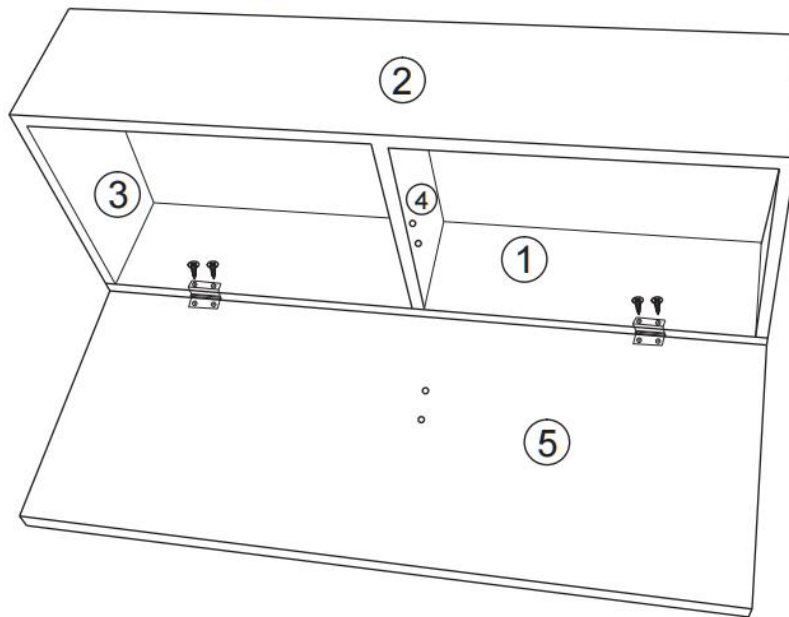
When installing the No. 8 tube, the screw hole side of the tube faces outward



07

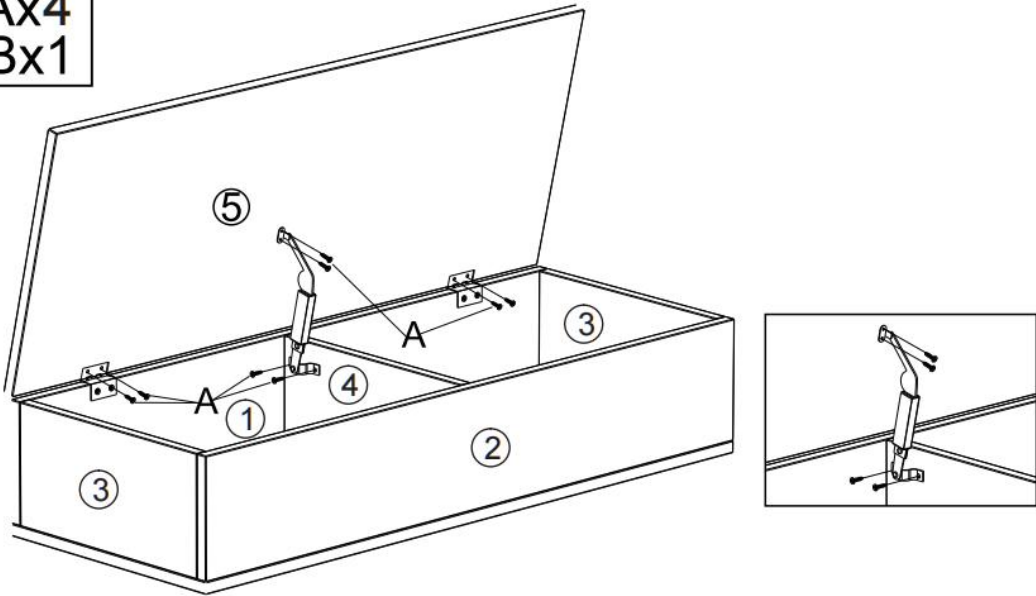
5x1  
Ax4

After step 6 is installed, turn up 90° and install the No. 5 board



08

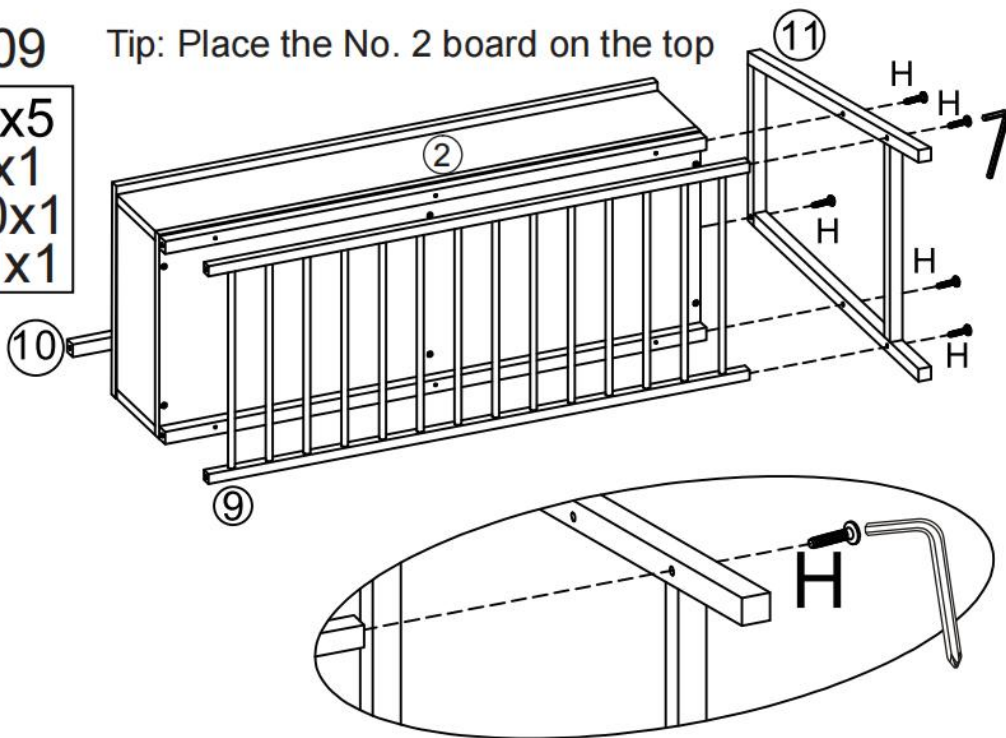
Ax4  
Bx1

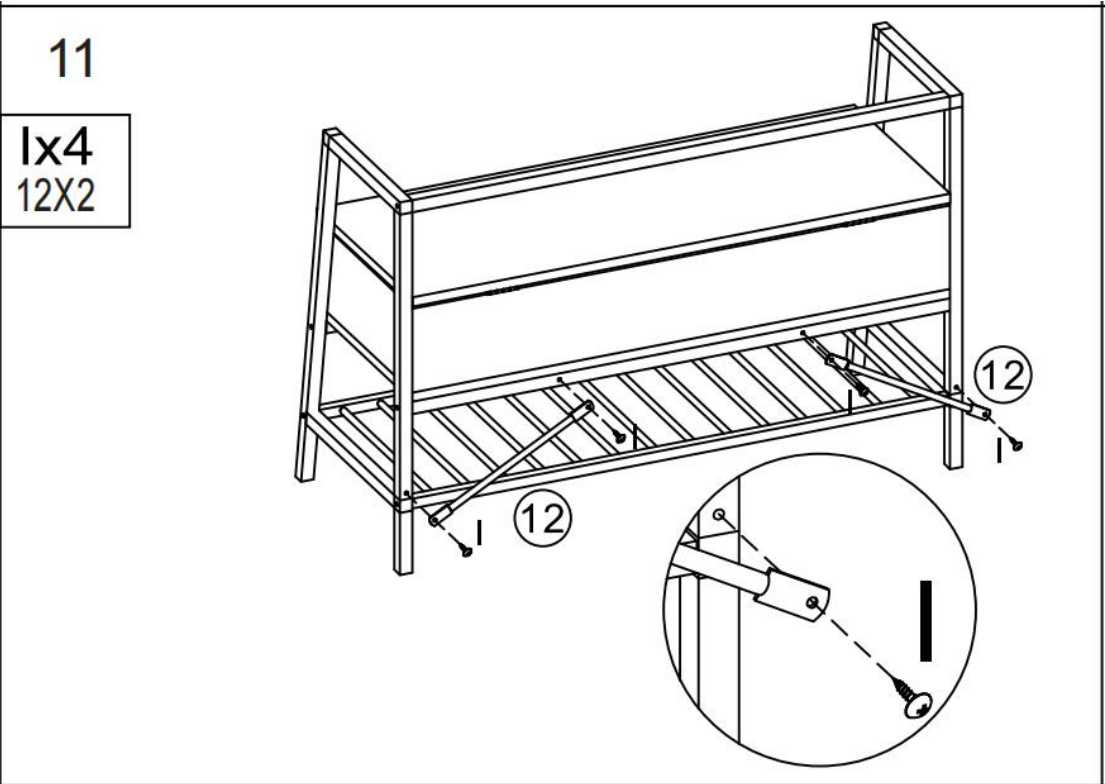
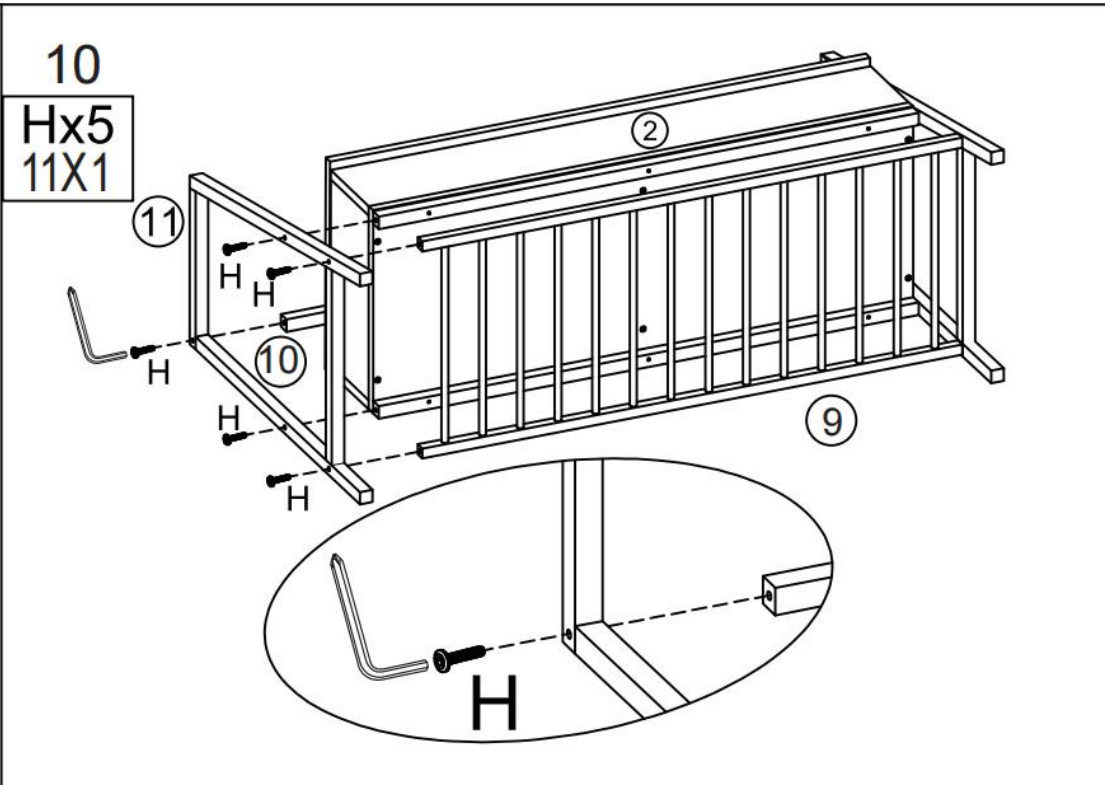


09

Tip: Place the No. 2 board on the top

Hx5  
9x1  
10x1  
11x1





12

