

Installation Instructions

NextGen Selectronic® Integrated Faucet with Optional Above-Deck Mixing & SmarTherm® Temperature Limiter

MODEL NUMBERS

7755.1xx	775B.1xx
7755.2xx	775B.2xx
7755.3xx	775B.3xx



CAUTION: Use only American Standard supplied transformers and cable sets. Using non-AS supplied cables, or cutting, splicing or modifying any components will void the warranty.

Product No's & Options 2

Specifications 3

Faucet Installation 3

Electrical Installation 4-5

Start-up / Maintenance 6-8

FAQ's / Troubleshooting 9

Parts 10

Certified to comply with ASME A112.18.1
© 2018 AS America, Inc.

American Standard

NOTE TO INSTALLER: Please give this manual to the customer after installation.

To learn more about American Standard Selectronic® Products visit our website at: www.americanstandard-us.com
or e-mail us at: CRTTEAM@lixilamericas.com

For Parts, Service, Warranty or other Assistance,
please call (844) CRT-TEAM / (844) 278-8326 (In Canada: 1-800-387-0369)
(In Toronto Area only: 1-905-306-1093)

American Standard
CRT
Certified Response Technician

Thank you for selecting American-Standard...the benchmark of fine quality for over 100 years. To ensure that your installation proceeds smoothly--please read these instructions carefully before you begin.

UNPACKING

All American Standard Products Are Water Tested At Our Factory. Some Residual Water May Remain In The Valve During Shipping.

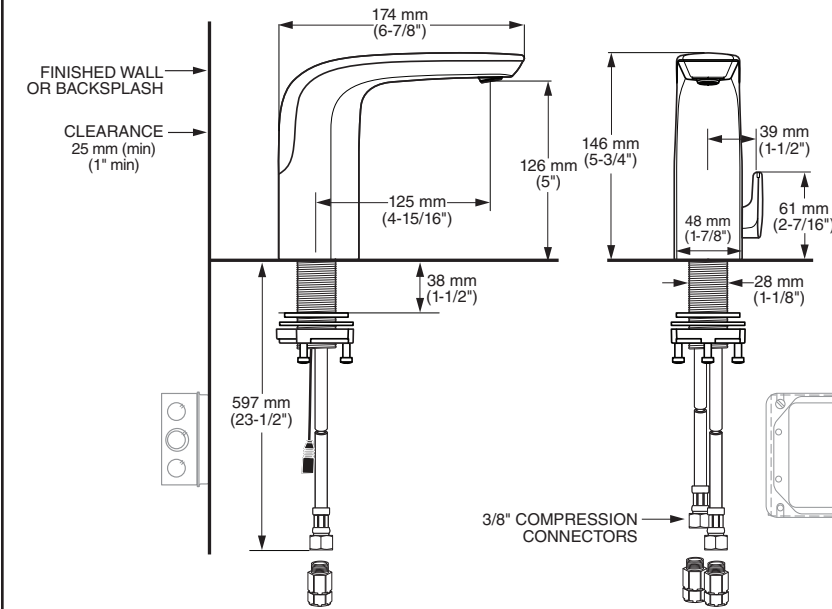
Remove the fitting and loose items from the carton. The illustration below shows all the fittings and loose items after they have been removed from the carton. Some items may be packaged partially assembled to other items.

- 1. Installation Instructions
- 2. Spout Assembly (less mixing)
- 2a. Spout Assembly (mixing)
- 3. Mounting Kit
- 4. 4" and 8" Deck plate (optional, must be ordered separately)
- 5. Thermostatic Mixing Valve (optional, must be ordered separately)
- 6. Inline Filter/Check Valve Assembly
- 7. Assembly Parts
- 8. Battery Back-Up Unit (optional, must be ordered separately)

		POWER KITS SOLD SEPARATELY				
		PWRX Power Kit PK00.WRX 	Plug-In AC Power Kit PK00.PAC 	Hard-Wired AC Power Kit PK00.HAC 	Multi-AC Power Kit PK00.MAC 	
		 1	Battery Back-Up Kit 8 PK00.BBU			
Deck Plate	 775P.400 775P.800		Mixing Valve	605XTMV1070 5		

Roughing-in Dimensions

Note: All plumbing and electrical wiring must be installed in accordance with applicable codes, regulations and standards.

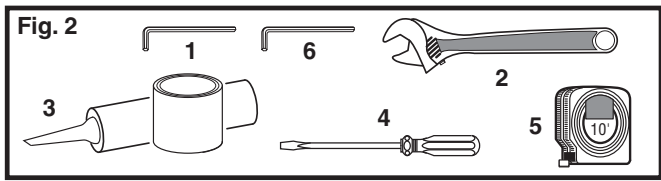


CAUTION: Use only American Standard supplied transformers and cable sets. Using non-AS supplied cables, or cutting, splicing or modifying any components will void the warranty.

RECOMENDED CONTROL BOX OR EQUIVALENT BY OTHERS
 4" (102mm) SQ. X 2-1/2" (64mm) DEEP 2-GANG ELECTRICAL BOX Appletton #4SD1 OR EQUAL (BY OTHERS).
(Used with Hard-Wired AC Transformer)

RECOMMENDED TOOLS

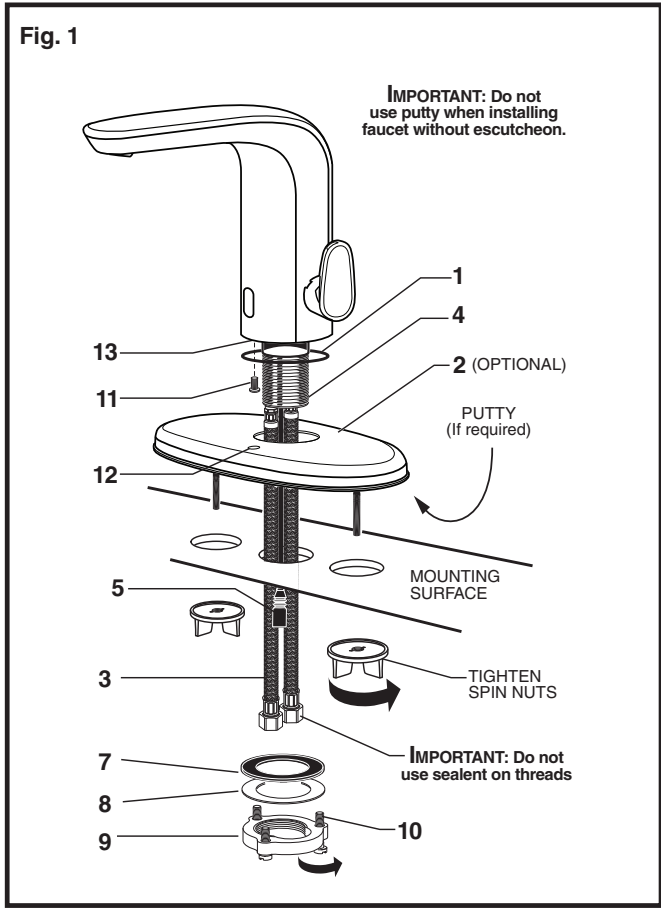
- | | |
|---------------------------------|---------------------------------|
| 1. 2.5 mm Hex Wrench (Included) | 4. Flat Blade Screwdriver |
| 2. Adjustable Wrench | 5. Tape Measure |
| 3. Plumbers' Putty or Caulking | 6. 2.0 mm Hex Wrench (Included) |



1 SPOUT ASSEMBLY INSTALLATION; Fig. 1

CAUTION Turn off hot and cold water supplies before beginning

1. Make sure O-RING (1) is installed in spout base.
- IMPORTANT: Do not use putty when installing faucet without escutcheon.**
 2. If installing DECK PLATE (2) (optional): Apply a bead of putty to bottom edge of PUTTY PLATE (2). Install SCREW (11) into the MOUNTING BASE OF THE FAUCET (13) and align SCREW (11) with HOLE (12).
3. Insert SUPPLY HOSES (3), SHANK (4) and SENSOR CABLE (5) (only included in base model) through hole in DECK PLATE with PUTTY PLATE (2) and mounting surface.
4. Assemble RUBBER WASHER (7), BRASS WASHER (8) and THREADED LOCKNUT (9) onto SHANK (4) from underside of sink or mounting surface. Hand tighten LOCKNUT (9).
5. Use a screwdriver to tighten SCREWS (10) on LOCKNUT (9). Work your way around LOCKNUT (9), tightening the screws slightly each time until all are snug to ensure even pressure.



ELECTRICAL INSTALLATION

Product	Page
PWRX Power Kit (PK00.WRK)	4
Plug-In AC Power Kit (PK00.PAC)	5
Hard-Wired AC Power Kit (PK00.HAC)	5
Multi-AC Power Kit (PK00.MAC)	5

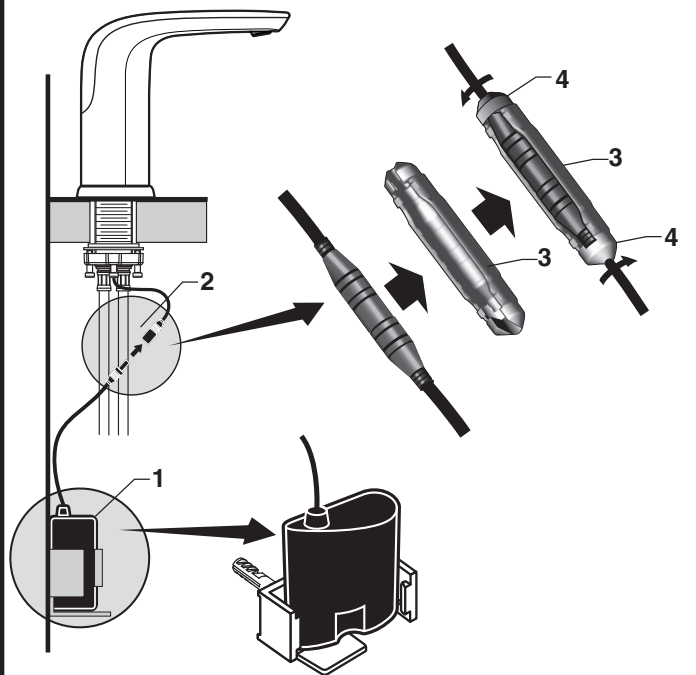
Important: All product with standard battery come with electrical connections preassembled at the factory. No further action necessary.

A PWRX 10 YEAR BATTERY SYSTEM; Fig. 1

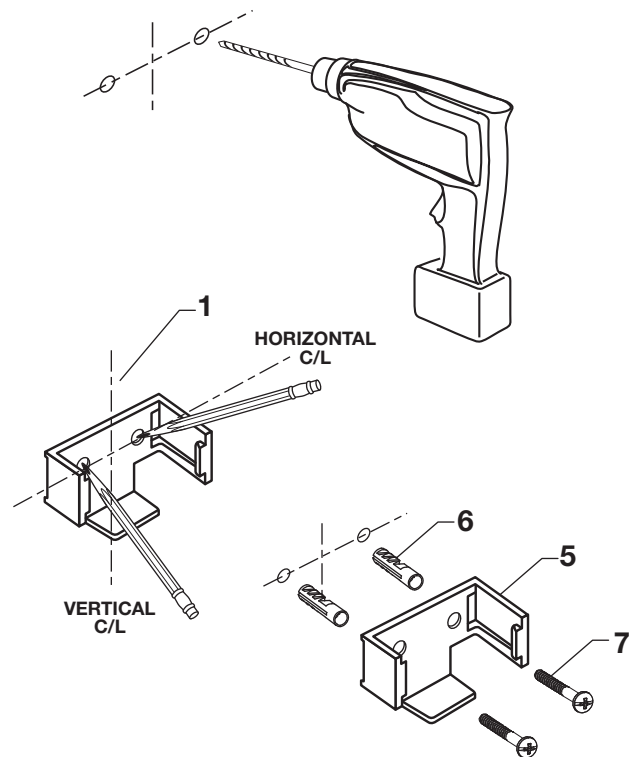
PWRX™ VERSION;

1. Connect PWRX BATTERY PACK (1) to SENSOR CABLE (2).
2. Secure the connections by installing into CONNECTOR LOCKING DEVICE (3) as shown. Rotate the END CAPS (4) to secure the connection within the CONNECTOR LOCKING DEVICE (3).
3. Determine the mounting location of the PWRX BATTERY PACK (1) by marking center lines as shown.
4. Place the BRACKET (5) on the horizontal center line and mark the location of the mounting holes to be drilled.
5. Using 1/4" diameter drill bit, drill two mounting holes approximately 1" deep.
6. Install the two ANCHORS (6) provided into the mounting holes.
7. Place the BRACKET (5) over the ANCHORS (6) and secure with the SCREWS (7) provided. Do not overtighten.
8. Insert PWRX BATTERY PACK (1) into BRACKET (5).

Fig. 1



BRACKET INSTALLATION



B AC VERSIONS (HARD-WIRED / PLUG-IN POWER SUPPLY); Fig. 2

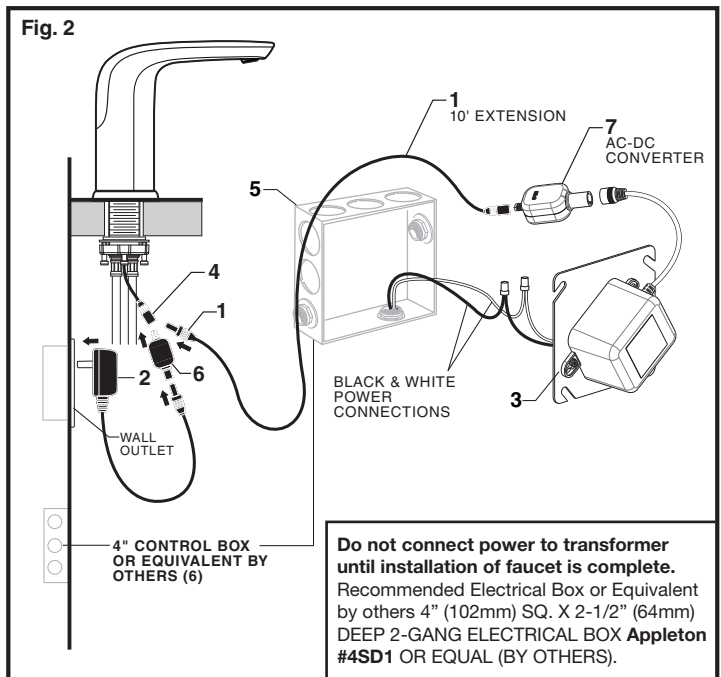
Important: Turn off power to outlet or electrical box.

FOR PLUG-IN VERSION;

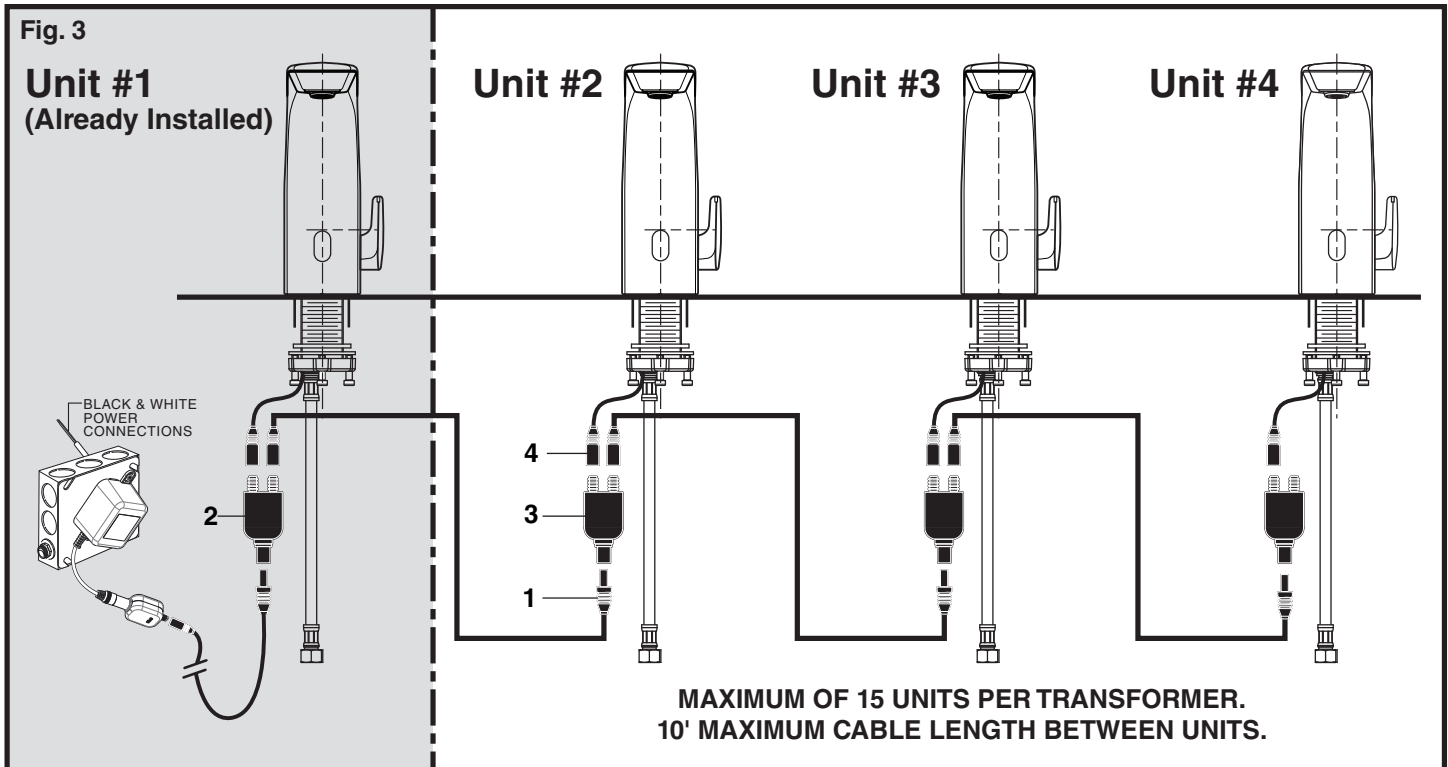
1. Connect PLUG-IN AC POWER SUPPLY (2) to one end of the SINGLE AC ADAPTER (6).
2. Connect SENSOR CABLE (4) to the other end of the SINGLE AC ADAPTER (6).
3. Connect PLUG-IN AC POWER SUPPLY (2) to wall outlet.

FOR HARD-WIRED VERSION;

1. Connect HARD-WIRED AC TRANSFORMER (3) to AC-DC CONVERTER (7).
2. Connect 10' EXTENSION CABLE (1) to AC-DC CONVERTER (7).
3. Connect SENSOR CABLE (4) to the other end of the 10' EXTENSION CABLE (1).
4. Make Black and White power line connections to HARD-WIRED AC TRANSFORMER (3) and mount on ELECTRICAL BOX (5).



CAUTION: Use only American Standard supplied transformers and cable sets. Using non-AS supplied cables, or cutting, splicing or modifying any components will void the warranty.



C MULTI-AC VERSION (DAISY-CHAIN); Fig. 3

Important: Disconnect the first unit's Multi-AC Adapter from power supply before making daisy-chain connections.

Note: For Unit #1 electrical instructions, refer to Figure 2 (above).

For subsequent Units, refer to instructions below...

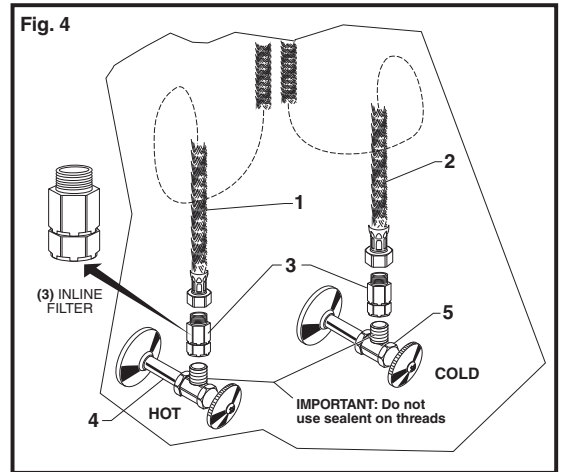
1. Connect one end of the 10' EXTENSION (1) to the available terminal of the previous unit's MULTI-AC ADAPTER (2), and the other end to the single terminal of the current unit's MULTI-AC ADAPTER (3).
2. Connect SENSOR CABLE (4) to either of the two available terminals of MULTI-AC ADAPTER (3).
3. Repeat Steps above for each additional Unit, for a Max. of 15 Units on one AC POWER SUPPLY.

D MAKE WATER SUPPLY CONNECTIONS; Fig. 4

1. Turn off hot and cold water supplies before beginning.
2. Install INLINE FILTER (3) on each wall supply outlet. Be sure that INLINE FILTER (3) is inserted in the correct direction. (See Illustration)
3. Connect HOT FLEXIBLE SUPPLY (marked with red stripe) (1) to INLINE FILTER (3) on hot water control stop (4). Connect COLD FLEXIBLE SUPPLY (marked with blue stripe) (2) to INLINE FILTER (3) on cold water control stop (5). Use adjustable wrench to tighten connections. Do not over tighten.
4. Faucet supplies are 24" long from faucet base.

Note; If additional supply length is required, installer must purchase those parts separately.

Important; If SUPPLY HOSES (1, 2) are too long, loop as illustrated to avoid kinking.

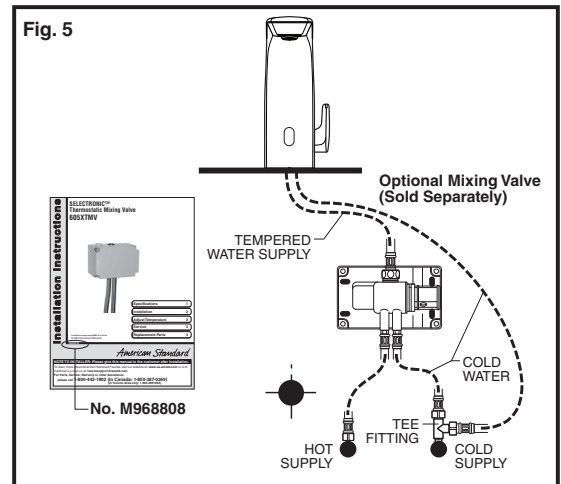


E INSTALL OPTIONAL MIXING VALVE; Fig. 5

Note: An optional Thermostatic Mixing Valve (sold separately) may be installed on faucets 775X.1XX & 775X.2XX in addition to Above Deck Mixing valve. See setup diagram Fig. 5.

Tee fitting is not supplied with Faucet or Thermostatic Mixing valve and must be purchased separately. If faucet inlet hoses will not reach water supplies, longer hoses must be purchased separately.

For complete detailed installation and operating instructions, see installations instructions (No. M968808) supplied with Thermostatic Mixing Valve.



F REMOVE MIXING HANDLE

FOR FAUCETS PURCHASED AFTER OCTOBER 2019 (FIG. 6)

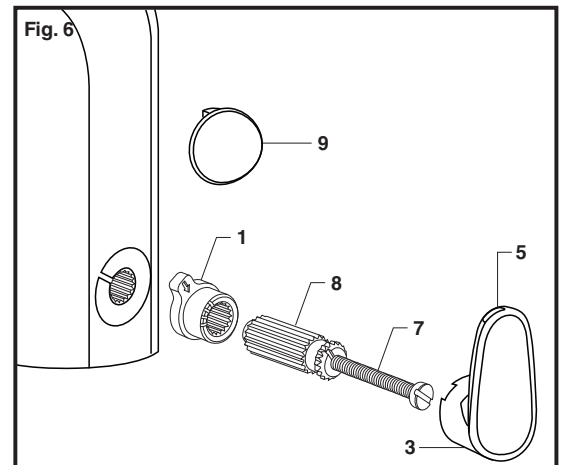
Note: Before removing the handle, preset the desired water temperature and while disassembling make sure to keep the SHAFT EXTENSION (8) in place.

1. Unthread SET SCREW (3) and remove HANDLE (5).
2. Remove LIMIT STOP (1).
3. Using a Slotted screwdriver unthread SCREW (7) and remove SHAFT EXTENSION (8).

Note: Hold the extension in place while unthreading the screw.

4. Install CAP (9) onto the Body and press until you hear a click.

Note: Sharper side faces towards the back of the body.



MAINTENANCE

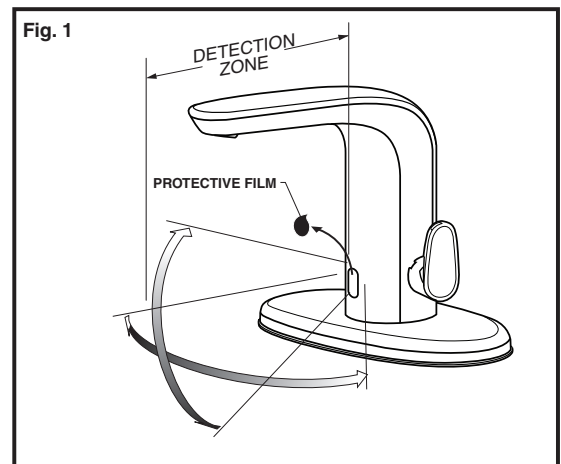
A HAND WASH SENSOR OPERATION; Fig. 1

REMOVE PROTECTIVE FILM FROM SENSOR EYE WHEN INSTALLATION IS COMPLETE.

When the Sensor detects a user, the water immediately starts to flow. Water flow will stop 1.5 seconds after user is out of sensor range. This Comfort delay allows the user to comfortably move their hands without the water turning off.

As a precaution, a Safety Timer will turn off the water, after the sensor has been blocked for 59 seconds. The water will stay off until the blockage is removed from the detection zone.

The Comfort and Safety time settings can be adjusted using the Optional Remote Control (605XRCT).



B REPLACE BATTERY; Fig. 5, 6

1. Remove COVER SCREW (1) and lift COVER (15) off.
2. Disconnect SENSOR CABLES (6) and (7) from the BATTERY and SOLENOID VALVE. (Fig. 6)
3. Push BATTERY (17) forward and Pull it out. (Fig. 5)
4. Replace the new battery with the same placement. (Insert terminal side first)

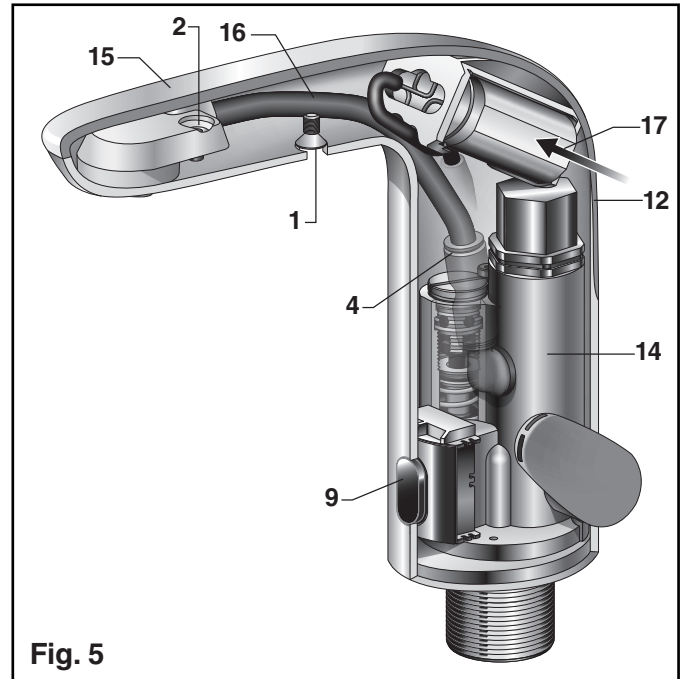


Fig. 5

C CHANGE SENSOR RANGE; Fig. 5, 6

1. Remove the COVER SCREW (1).
2. Remove the COVER (15).
3. Disconnect the BLACK POWER SUPPLY CONNECTOR (7) and reconnect. Fig. 6.
4. While the SENSOR CONTROL LED (9) is blinking slowly, place your hand 1 - 2 in. (25.4-50.8mm) in front of the sensor.
5. When the LED stops blinking and stays "ON", move your hand to the desired position and hold in place until the LED begins to blink again.
6. Once the SENSOR CONTROL LED (9) begins to blink again, remove your hand from the detection zone. When the flashing stops, the detection distance is set.
7. Reassemble the COVER (15) and secure it with COVER SCREW (1).

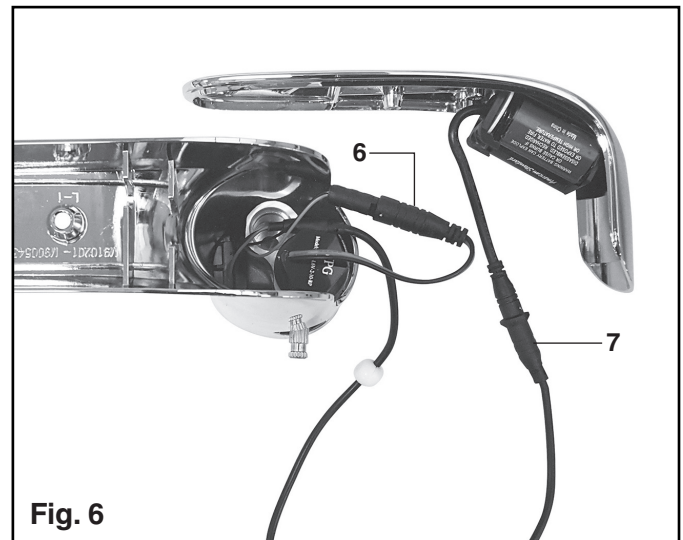


Fig. 6

D ADJUST HOT LIMIT STOP; Fig. 7, 9

To reduce the amount of hot water that can mix with cold, the installer can adjust hot limit stop (Four different settings).

1. Rotate LEVER HANDLE (3) counter-clockwise to its stop position (100% cold).
2. Remove LEVER SCREW (5) and pull off the LEVER HANDLE (3).
3. Pull out LIMIT STOP (1) from the VALVE STEM (5).
4. Rotate LIMIT STOP (1) between the shaded area and insert back onto VALVE STEM (5).
5. Each notch on the LIMIT STOP (1) will reduce the amount of hot water by approximately 3%. For example, the 2nd notch will have 97% of maximum temp, the 3rd notch will have 94% and the fourth will be 91%.
6. Replace LEVER HANDLE (3), LEVER HANDLE SCREW (5) and tighten.

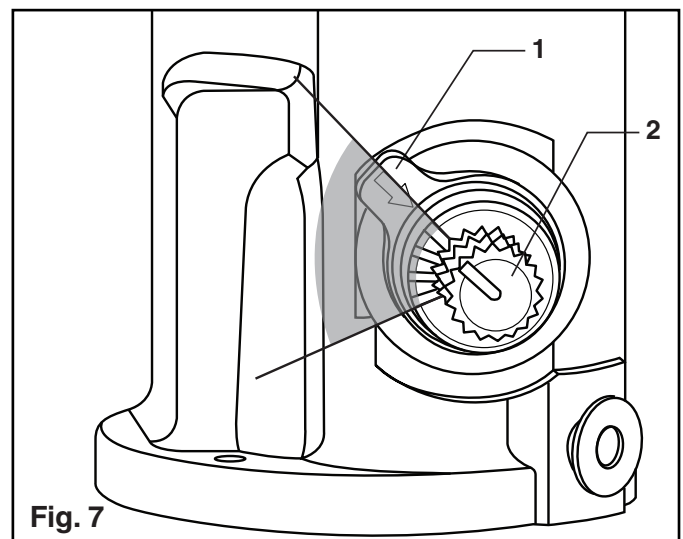


Fig. 7

E ADJUST OR REPLACE MAXIMUM OUTLET TEMPERATURE; Fig. 8

1. With the COVER off, the installer can reduce the maximum mixed water temperature by turning the THERMO VALVE (4) clockwise with a screwdriver.
2. Remove SCREW (6) and unthread THERMO VALVE (4). Replace with new THERMO VALVE (4).

WARNING

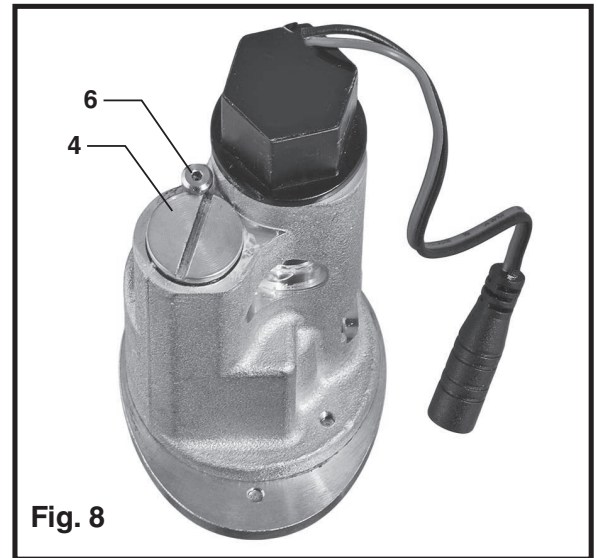
- Do not turn the THERMO VALVE (4) More than 1 turn.
- The maximum mixed water temperature can not be increased due to ASSE 1070 requirements.

F GENERAL CLEANING

1. Only use a damp, soft cloth to clean the spout and the sensor.
2. For tougher dirt, use a soft cloth with diluted dish washing detergent. Wipe the area using a wet cloth and dry using a soft cloth.

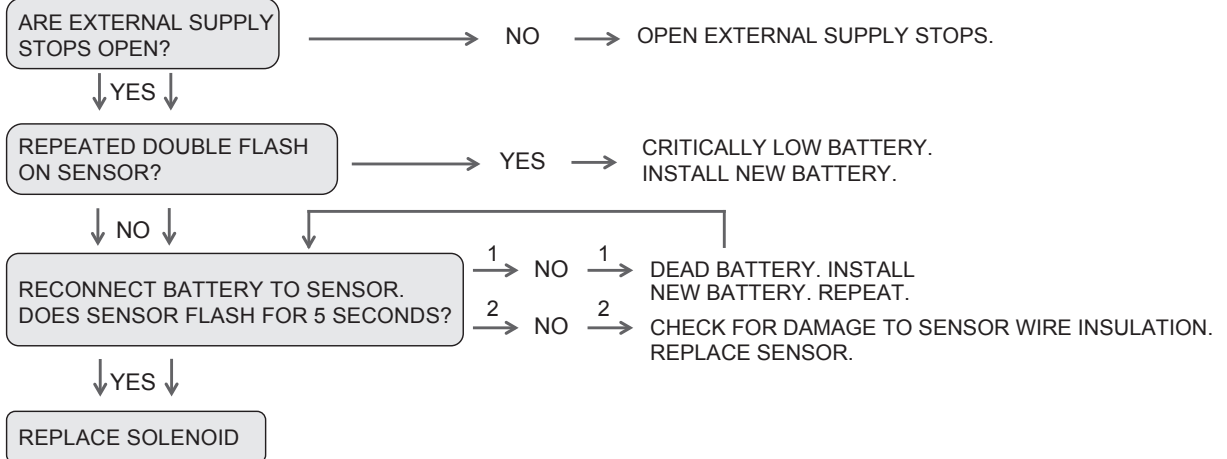
CAUTION

Do not scratch the sensor when cleaning. Avoid using any abrasives or harsh detergents or chemicals.

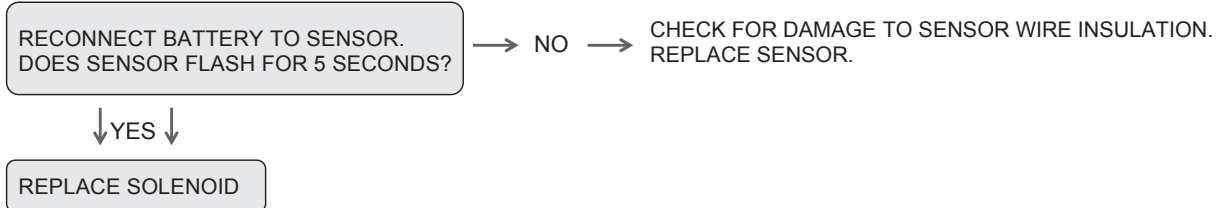


TROUBLESHOOTING FLOW CHARTS

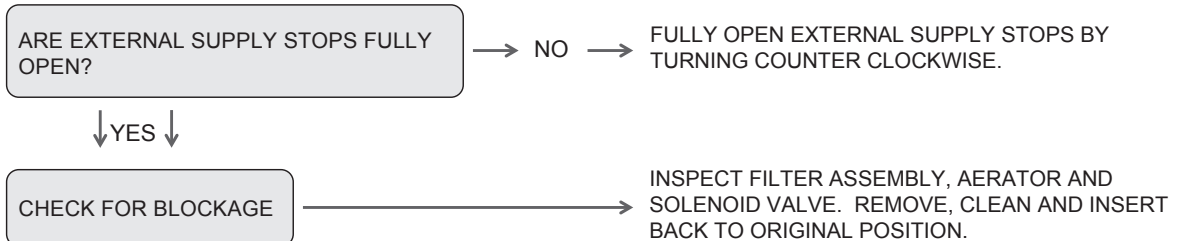
UNIT DOES NOT FUNCTION



WATER IS CONTINUOUSLY RUNNING



LOW FLOW ISSUES



HOT LINE FOR HELP

For toll-free information and answers to your questions, call:

(844) CRT-TEAM / (844) 278-8326

Mon. - Fri. 8:00 a.m. to 8:00 p.m. EST Saturday 10:00 a.m. to 4:00 p.m. EST
 IN MEXICO 01-800-839-1200

IN CANADA 1-800-387-0369 (TORONTO 1-905-306-1093)
 Weekdays 8:00 a.m. to 7:00 p.m. EST

Product names listed herein are trademarks of AS America, Inc. ©2018

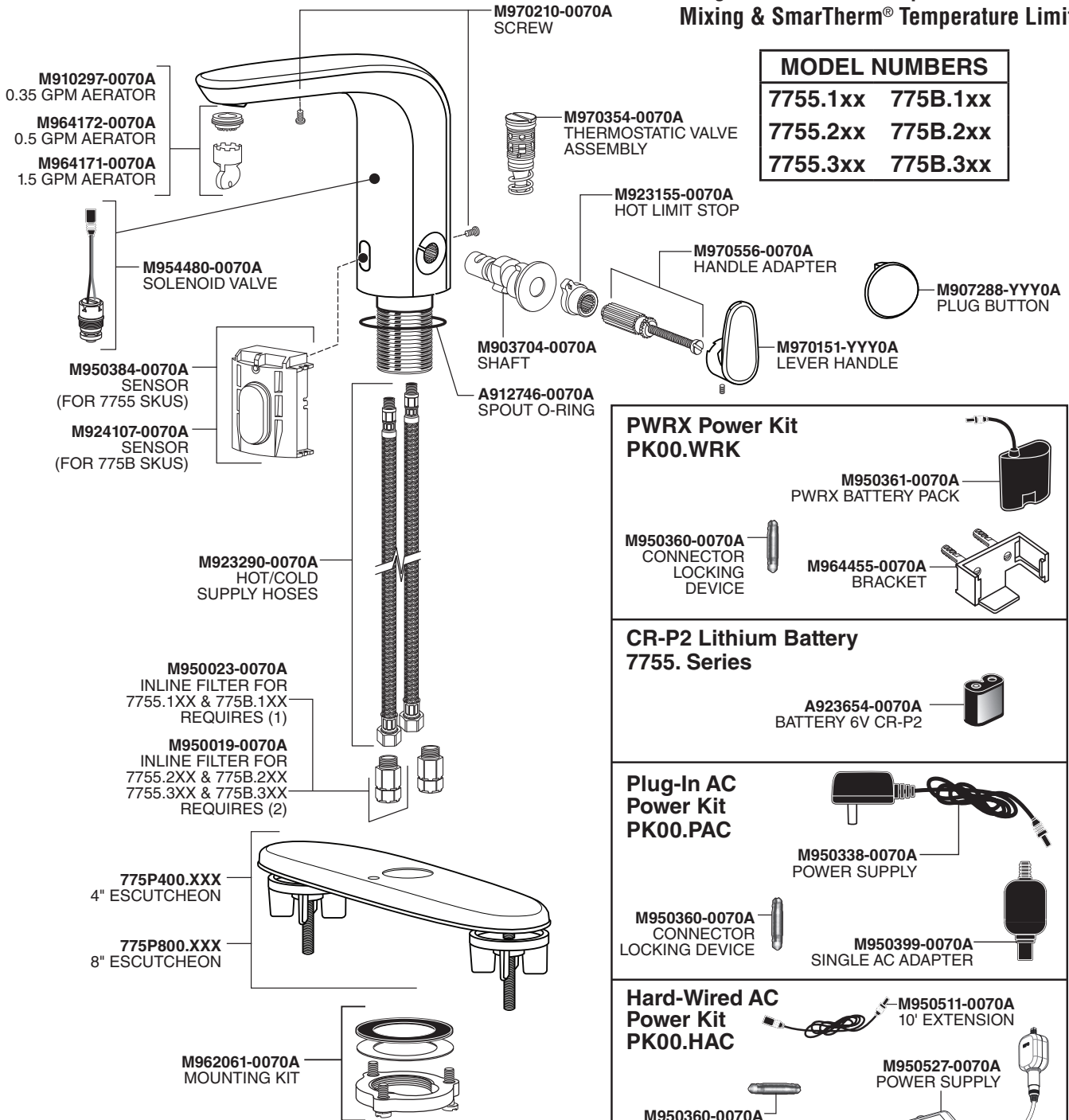
To learn more about American Standard Selectronic® Products visit our website at:
www.americanstandard-us.com or e-mail us at: CRTEAM@lixilamericas.com

American Standard

NextGen Selectronic®

Integrated Faucet with Optional Above-Deck
Mixing & SmarTherm® Temperature Limiter

MODEL NUMBERS	
7755.1xx	775B.1xx
7755.2xx	775B.2xx
7755.3xx	775B.3xx



Appropriate finish code

POLISHED CHROME	002
BRUSHED NICKEL	295



HOT LINE FOR HELP
For toll-free information and answers to your questions, call:
(844) CRT-TEAM / (844) 278-8326
Mon. - Fri. 8:00 a.m. to 8:00 p.m. EST Saturday 10:00 a.m. to 4:00 p.m. EST
IN MEXICO 01-800-839-1200
IN CANADA 1-800-387-0369 (TORONTO 1-905-306-1093)
Weekdays 8:00 a.m. to 7:00 p.m. EST

Product names listed herein are trademarks of AS America, Inc. ©2018

To learn more about American Standard Selectronic® Products visit our website at:
www.americanstandard-us.com or e-mail us at: CRTTEAM@lxlamericas.com

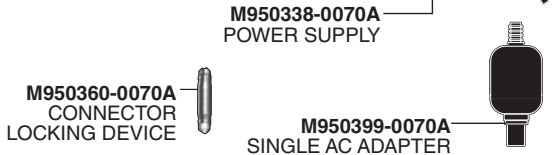
PWRX Power Kit PK00.WRK



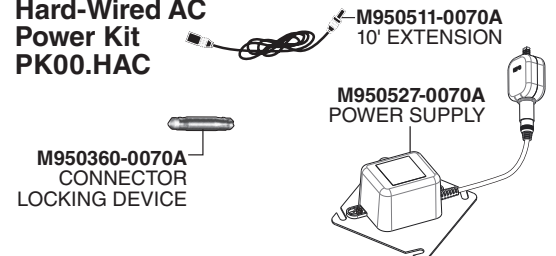
CR-P2 Lithium Battery 7755. Series



Plug-In AC Power Kit PK00.PAC



Hard-Wired AC Power Kit PK00.HAC



Multi-AC Power Kit PK00.MAC

