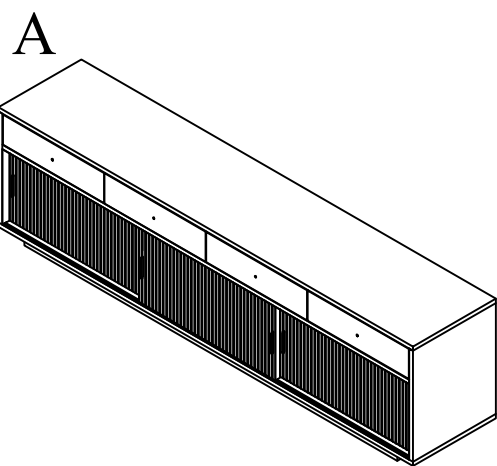


Assembly instructions:

TV STAND HIGH 2000x400x650



Desk top 1x



Cabinet legs (angle) 4x



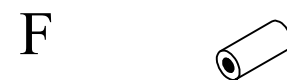
Cabinet legs (Center) 1x



Allen key 1x



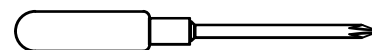
Bolt M8 x 35mm 8x



Hand holding drawers Ø11x25mm 4x
(Tightened inside drawers)

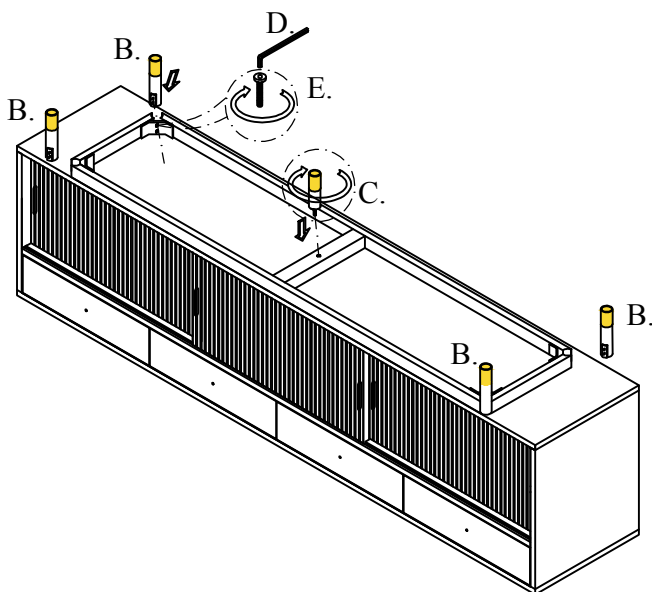


Bolt M4 x 40mm 2x



Philips Head Screw driver
(Not included)

STEP 1:



STEP 2:

