



# Kalia

ONCE UPON A TIME...WATER®

## SQUAREONE™

### BF1648-XXX

#### TCD1 Thermostatic Coaxial Shower System

#### *SPECIFICATIONS*

#### Components included

- BF1586-XXX\*: 2-way AQUATONIK™ type T/P 1/2" coaxial valve with diverter (operates 1 or 2 components at a time) and decorative trim
- BF1626-XXX\*: Rainhead with 90° wall arm
- 104289-XXX\*: 2-jet handshower (2 direct functions and 1 shared function)
- 103576-XXX\*: Wallbar
- 101620-XXX\*: 60" flexible and soft PVC hose
- 104292-XXX\*: Wall outlet

\*XXX means that the finish color must be specified.

#### Colors (Finishes)

- Chrome: BF1648-110
- Pure Nickel PVD: BF1648-125
- Matte Black: BF1648-160

#### Certifications

The specified model meets or exceeds the following standards;



See the following sheets for the technical features of each component.

#### Installation Notes

This product must be installed following the installation instructions provided.

#### WARRANTY

Kalia Inc. guarantees all aspects of its products to be free of defects in material and workmanship for normal residential use. **Refer to the warranty included with the Kalia products for details.**



# Kalia

ONCE UPON A TIME...WATER®

1355, 2<sup>nd</sup> Street, Industrial Park  
Sainte-Marie (Québec)  
Canada G6E 1G9

T 418-387-9090  
1-877-GO-KALIA (1-87- 465-2542)  
F 418 387-9089

KaliaStyle.com





ONCE UPON A TIME...WATER®

# SQUAREONE™

## BF1586

2-way AQUATONIK™ type T/P 1/2" coaxial valve with diverter and decorative trim

### SPÉCIFICATIONS

#### Features

- 2 male water inlets 1/2NPT threaded or welded
- 2 male water outlets 1/2NPT threaded or welded
- Solid brass construction
- Total adjustment of 32 mm (1 1/4")
- Can be installed back to back
- Support included for better stability during installation
- Operates 1 or 2 components at a time

#### Colors (Finishes)

- Chrome: BF1586-110
- Pure Nickel PVD: BF1586-125
- Matte Black: BF1690-160

#### Maximum flow rate

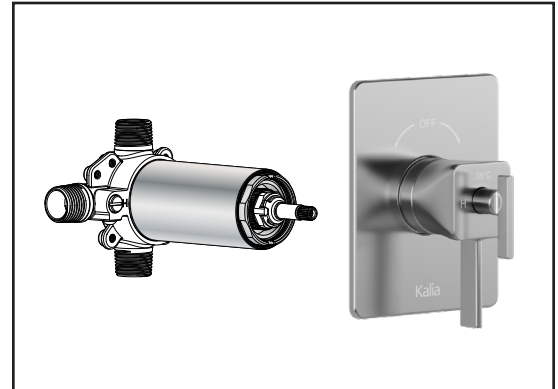
- 1 outlet: 25 L/min (6.6 gpm) at 60 psi
- 2 outlets: 29 L/min (7.7 gpm) at 60 psi

#### Certifications

The specified model meets or exceeds the following standards;



CSA B125.1  
ASME A112.18.1  
ICC A117.1



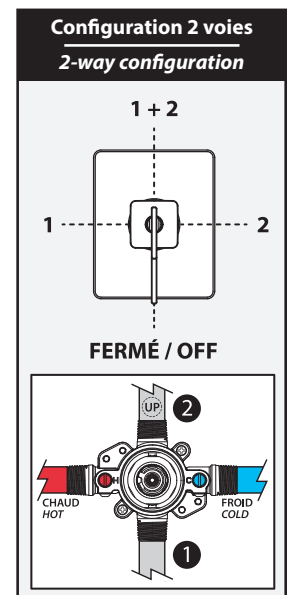
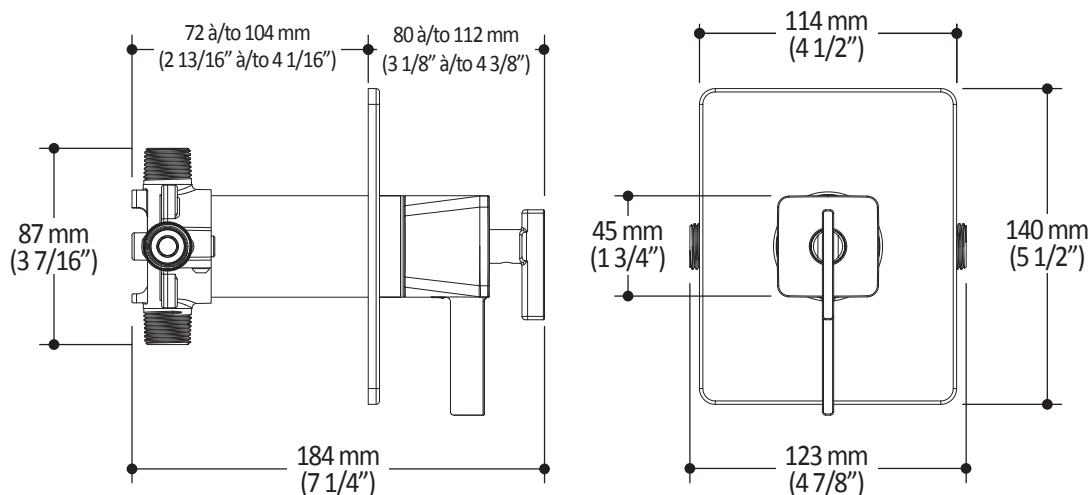
#### Installation Notes

This product must be installed following the installation instructions provided.

#### WARRANTY

Kalia Inc. guarantees all aspects of its products to be free of defects in material and workmanship for normal residential use. **Refer to the warranty included with the Kalia products for details.**

Product dimensions:



**Important:** Dimensions are approximated and are subject to changes. Please refer to the installation instructions.



ONCE UPON A TIME...WATER®

1355, 2<sup>nd</sup> Street, Industrial Park  
Sainte-Marie (Québec)  
Canada G6E 1G9

T 418-387-9090  
1-877-GO-KALIA (1-877-465-2542)  
F 418 387-9089

KaliaStyle.com





# Kalia

ONCE UPON A TIME...WATER®

# SQUAREONE™

## BF1626

### Rainhead with 90° Wallarm

### SPÉCIFICATIONS

#### Features

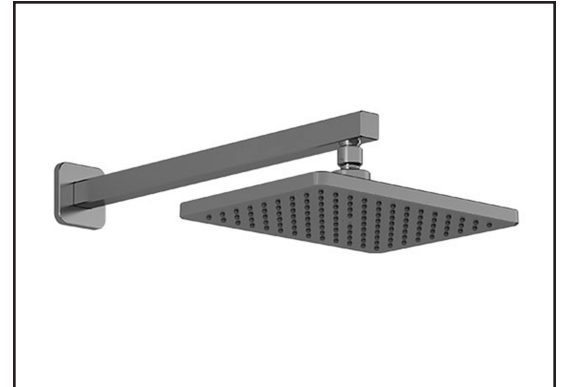
- Male water inlet 1/2NPT on vertical arm
- Rainhead dimension:  
260 mm x 188 mm x 16 mm (10 1/4" x 7 3/8" x 5/8")
- Soft tips for easy cleaning of limescale
- Adjustable orientation swivel
- Solid brass arm and plastic rainhead construction

#### Colors (Finishes)

- Chrome: BF1626-110
- Pure Nickel PVD: BF1626-125
- Matte Black: BF1626-160

#### Maximum flow rate

- 9.5 L/min (2.5 gpm) at 80 psi



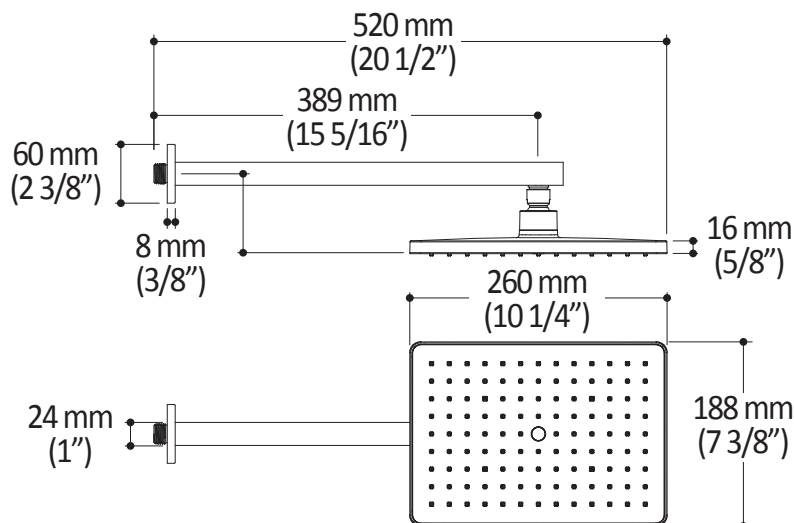
#### Installation Notes

This product must be installed following the installation instructions provided.

#### WARRANTY

Kalia Inc. guarantees all aspects of its products to be free of defects in material and workmanship for normal residential use. **Refer to the warranty included with the Kalia products for details.**

Product dimensions:



**Important:** Dimensions are approximated and are subject to changes. Please refer to the installation instructions.



# Kalia

ONCE UPON A TIME...WATER®

1355, 2<sup>nd</sup> Street, Industrial Park  
Sainte-Marie (Québec)  
Canada G6E 1G9

T 418-387-9090  
1-877-GO-KALIA (1-87-465-2542)  
F 418 387-9089

KaliaStyle.com





# Kalia

ONCE UPON A TIME...WATER®

## 104289

### 2-jet handshower

#### SPECIFICATIONS

#### Features

- Male water inlet G1/2
- Dimension: 80 mm (3 1/8") x 110 (4 3/8")
- 2 direct functions and 1 shared function
- Soft tips for easy cleaning of limescale

#### Colors (Finishes)

- Chrome: 104289-110
- Pure Nickel PVD: 104289-125
- Matte Black: 104289-160

#### Maximum flow rate

- 9.5 L/min (2.5 gpm) at 60 psi



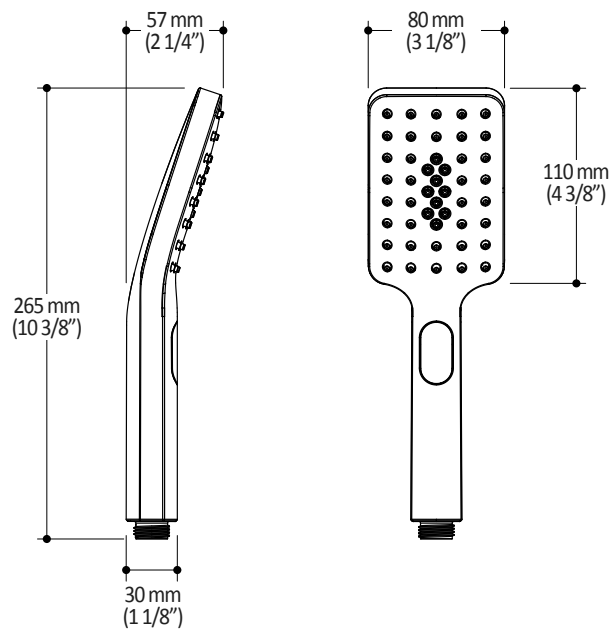
#### Installation Notes

This product must be installed following the installation instructions provided.

#### WARRANTY

Kalia Inc. guarantees all aspects of its products to be free of defects in material and workmanship for normal residential use. **Refer to the warranty included with the Kalia products for details.**

Product dimensions:



**Important :** Dimensions are approximated and are subject to changes. Please refer to the installation instructions.



# Kalia

ONCE UPON A TIME...WATER®

1355, 2<sup>nd</sup> Street, Industrial Park  
Sainte-Marie (Québec)  
Canada G6E 1G9

T 418-387-9090  
1-877-GO-KALIA (1-877-465-2542)  
F 418 387-9089

KaliaStyle.com





# Kalia

ONCE UPON A TIME...WATER®

## 103576

### Wallbar for handshower

#### SPÉCIFICATIONS

#### Features

- Total height of 775 mm (30 1/2")
- Easy-to-use gliding system
- Locking system

#### Colors (Finishes)

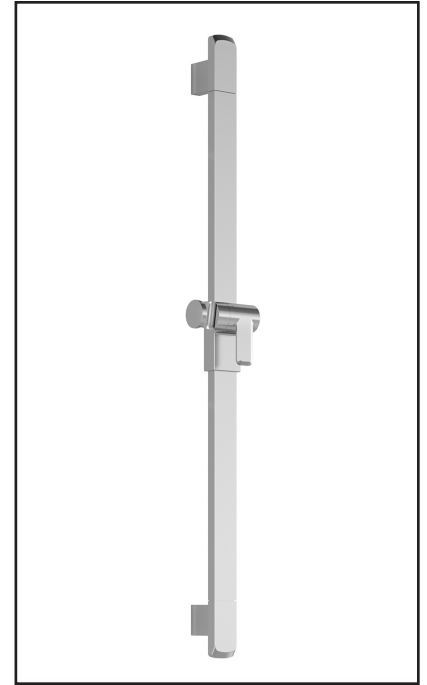
- Chrome: 103576-110
- Pure Nickel PVD: 103576-125
- Matte Black: 103576-160

#### Installation Notes

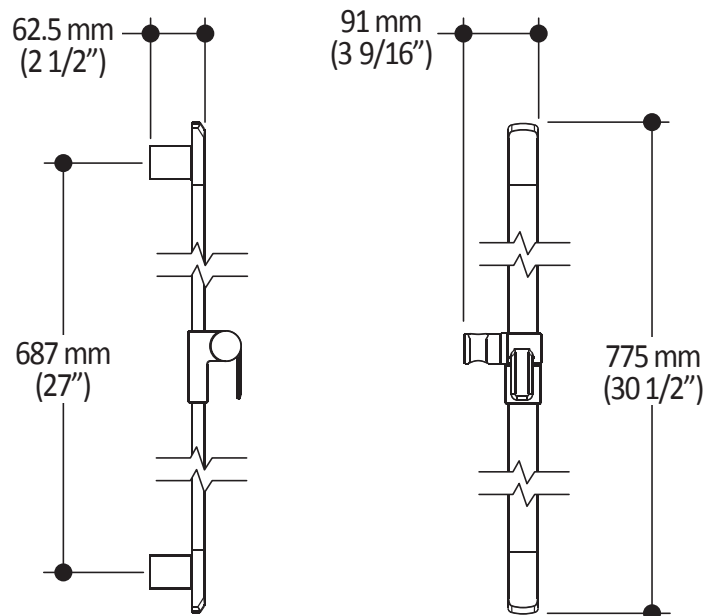
This product must be installed following the installation instructions provided.

#### WARRANTY

Kalia Inc. guarantees all aspects of its products to be free of defects in material and workmanship for normal residential use. **Refer to the warranty included with the Kalia products for details.**



*Product dimensions:*



**Important :** Dimensions are approximated and are subject to changes. Please refer to the installation instructions.



# Kalia

ONCE UPON A TIME...WATER®

1355, 2<sup>nd</sup> Street, Industrial Park  
Sainte-Marie (Québec)  
Canada G6E 1G9

T 418-387-9090  
1-877-GO-KALIA (1-87- 465-2542)  
F 418 387-9089

KaliaStyle.com





# Kalia

ONCE UPON A TIME...WATER®

# SQUAREONE™

## 104292 Wall Outlet

### SPÉCIFICATIONS

#### Features

- Male or female water inlet 1/2NPT
- Male water outlet G1/2
- Solid brass construction

#### Colors (Finishes)

- Chrome: 104292-110
- Pure Nickel PVD: 104292-125
- Matte black: 104292-160



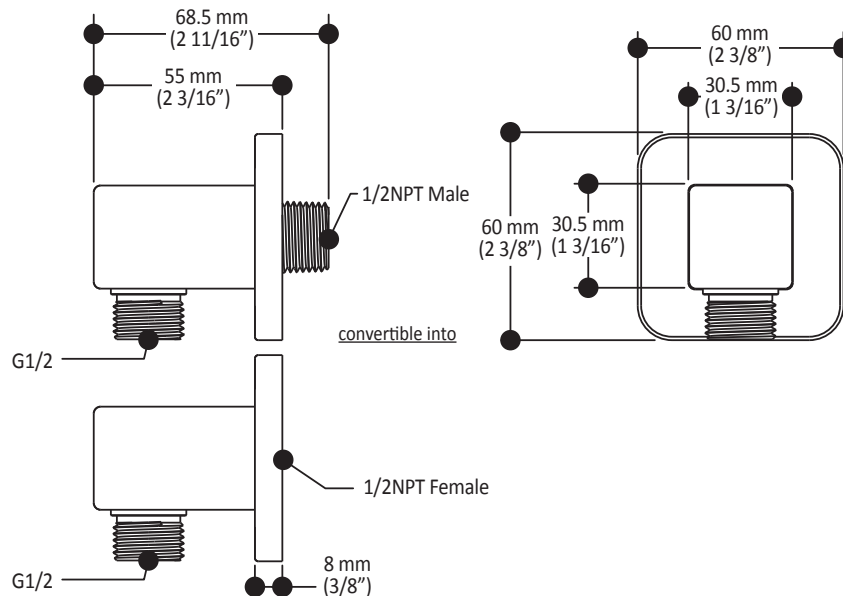
#### Installation Notes

This product must be installed following the installation instructions provided.

#### WARRANTY

Kalia Inc. guarantees all aspects of its products to be free of defects in material and workmanship for normal residential use. **Refer to the warranty included with the Kalia products for details.**

Product dimensions:



**Important:** Dimensions are approximated and are subject to changes. Please refer to the installation instructions.



ONCE UPON A TIME...WATER®

1355, 2<sup>nd</sup> Street, Industrial Park  
Sainte-Marie (Québec)  
Canada G6E 1G9

T 418-387-9090  
1-877-GO-KALIA (1-87-465-2542)  
F 418 387-9089

KaliaStyle.com

