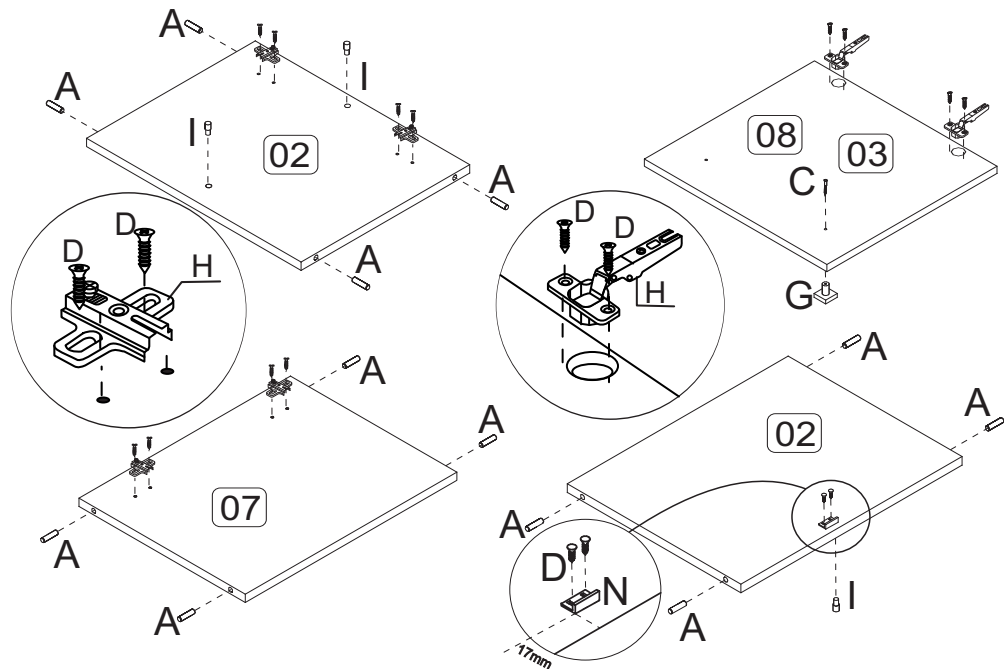


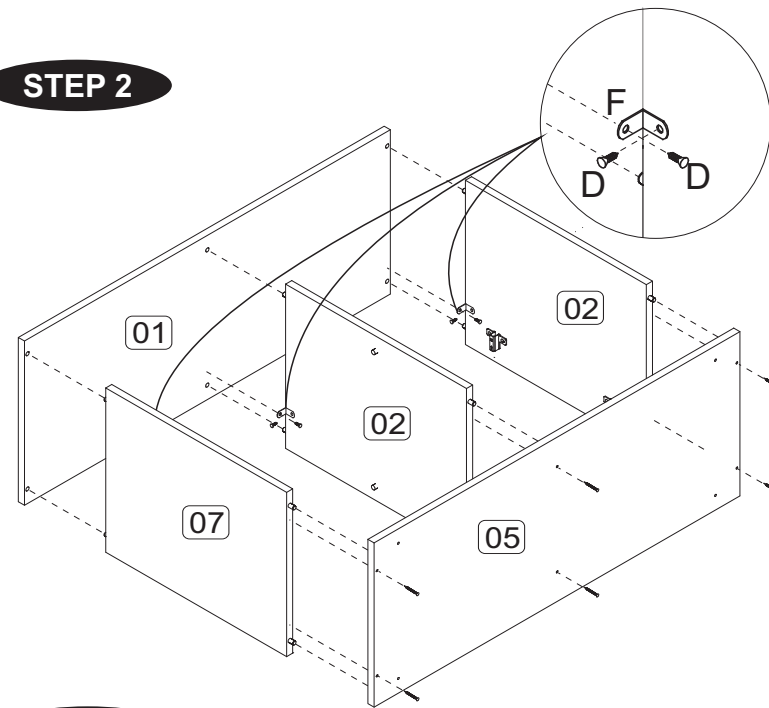
Hardware	(mm)	QTY.	Hardware	(mm)	QTY.
A		12	G		02
B		10	H		04
C		02	I		04
D		24	J		30
E		01	L		04
F		03	M		04
			N		01

CODE	DESCRIPTION	QTY.
01	Top	01
02	Right side/Division	02
03	Right door	01
04	Shelf	01
05	Base	01
06	Back	02
07	Right side	01
08	Left door	01

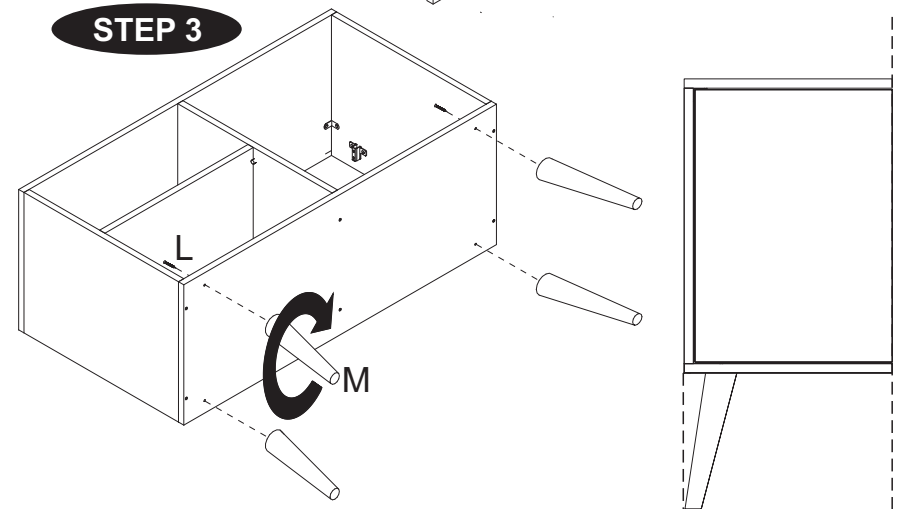
STEP 1



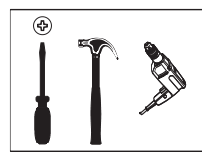
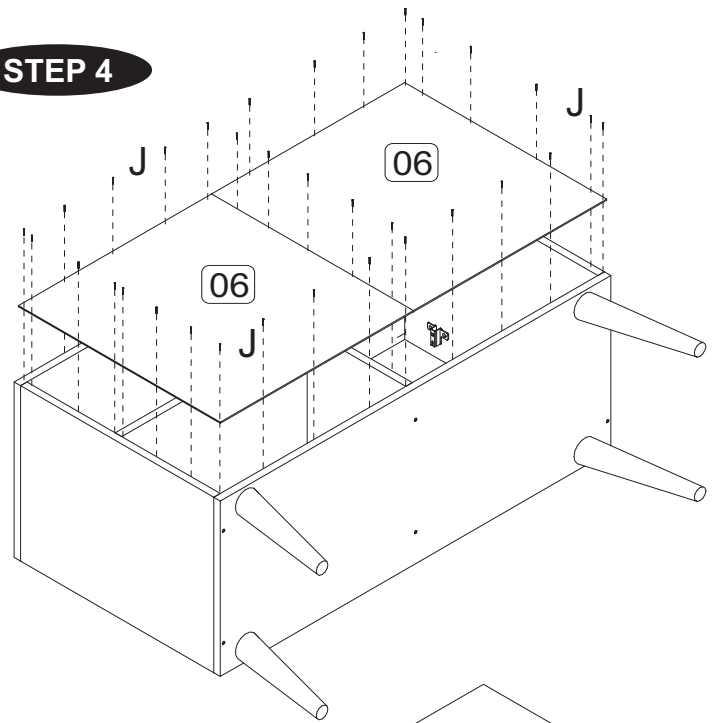
STEP 2



STEP 3

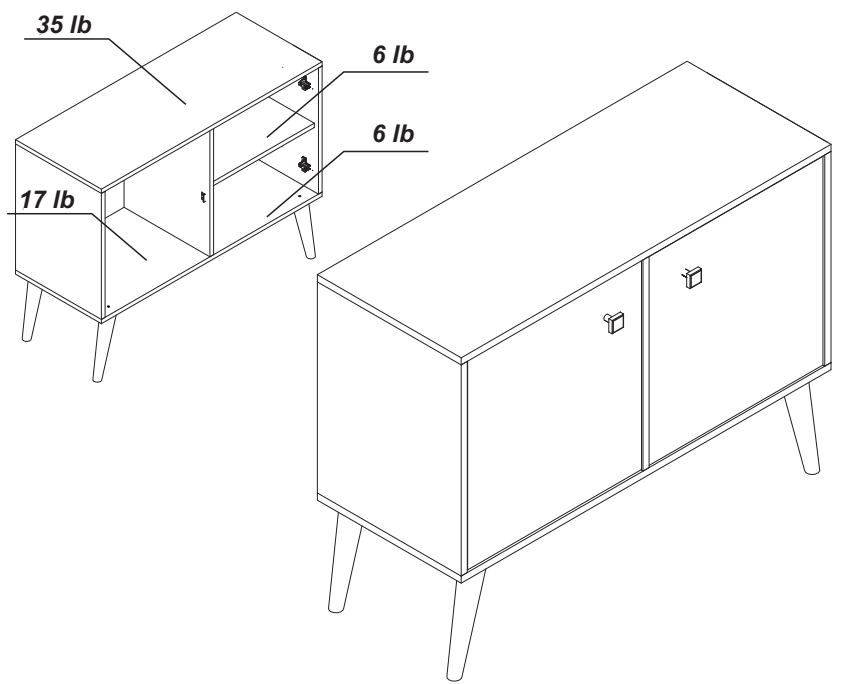
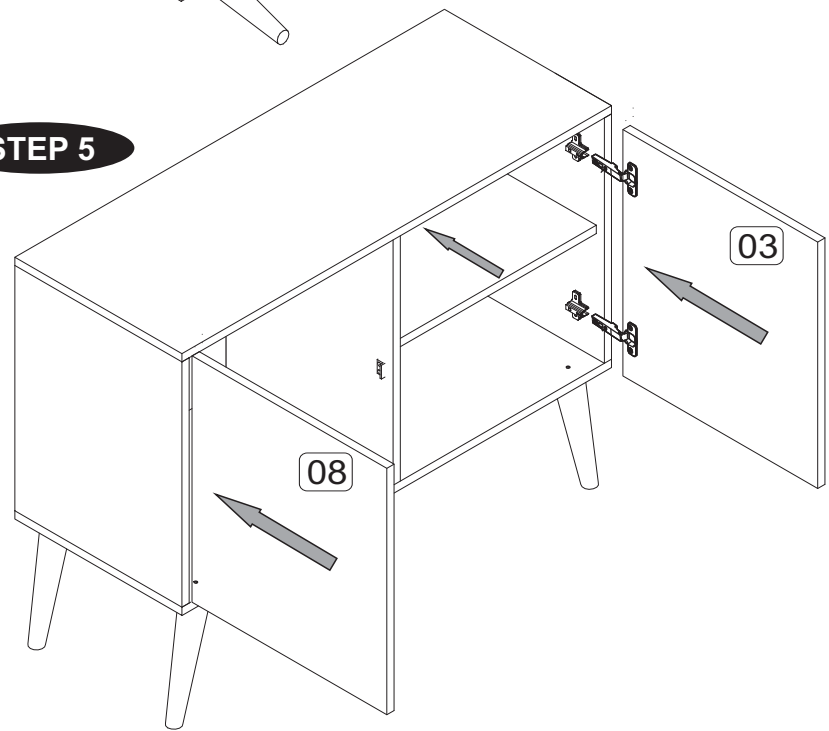


STEP 4



Weight capacity

STEP 5



Note:
Please read manual details prior to assembly to ensure proper configuration.

Do not use any chemicals or abrasive material when cleaning.