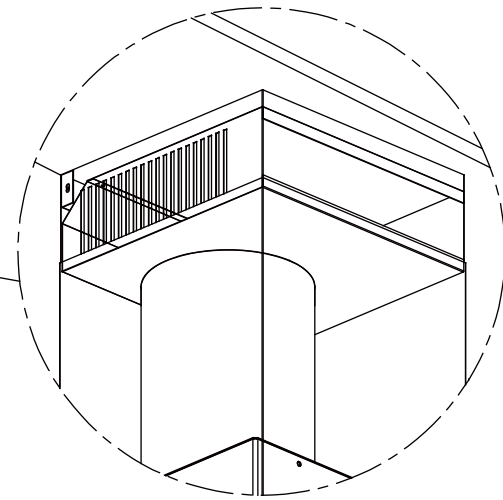
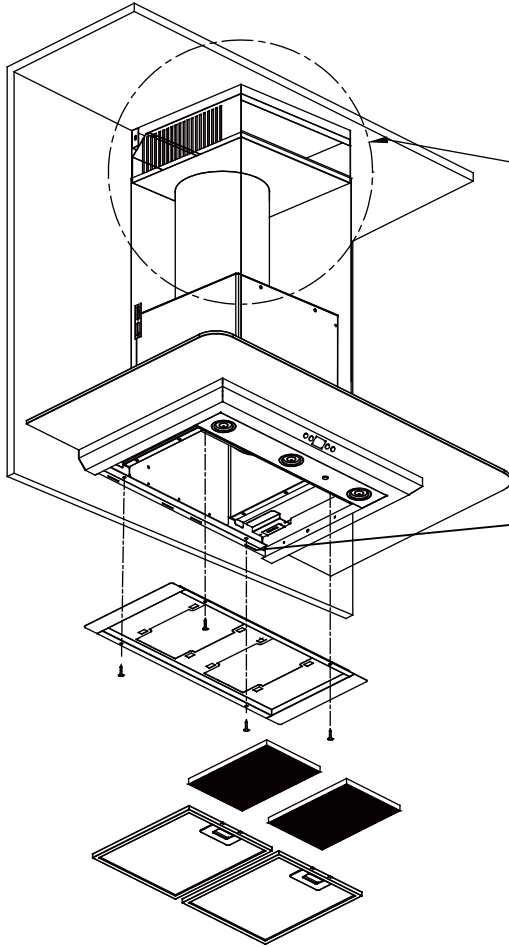


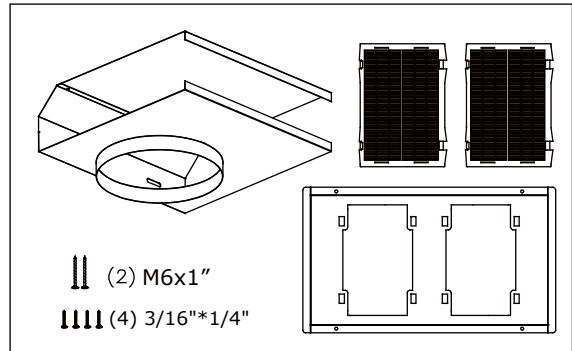
ZRC-00VO

For use with models : ZVO-xxxAG, ZVO-xxxBG

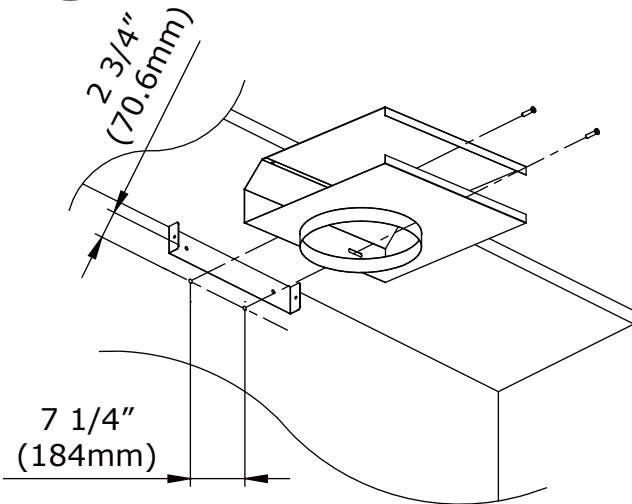


Remove all black foam from filter opening before installing the charcoal filter brackets.

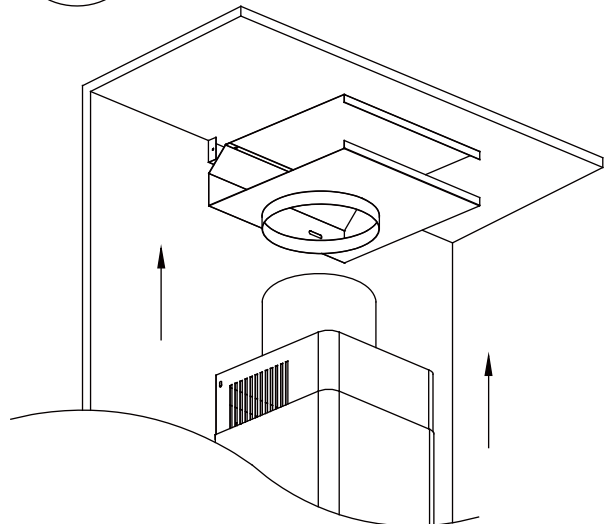
LIST OF MATERIALS



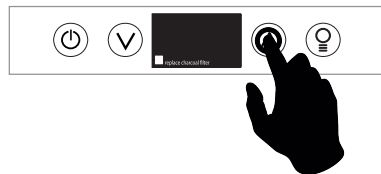
1



2



3



Follow instructions in hood manual to enable the "replace charcoal filter" indicator on the hood controls.