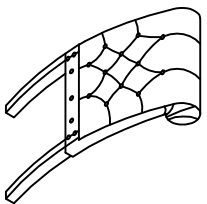
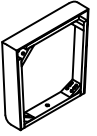
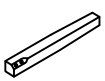




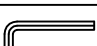
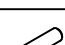
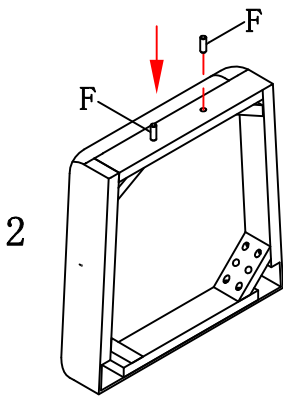


ASSEMBLY INSTRUCTION

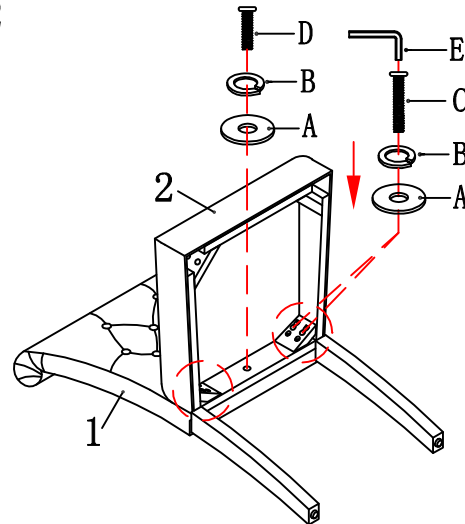
PARTS			
1		CHAIR BACK	1 Pc
2		SEAT	1 Pc
3		FRONT LEG	2 Pcs

HARDWARE LIST			
A		$\phi 5/16'' \times 22\text{mm}$	9 Pcs
B		$\phi 5/16''$	9 Pcs
C		$\phi 5/16'' \times 3-1/2''$	4 Pcs
D		$\phi 5/16'' \times 2-1/4''$	5 Pcs
E		$\phi 5 \text{ mm}$	1 Pc
F		$\phi 10 \times 30\text{mm}$	2 Pcs

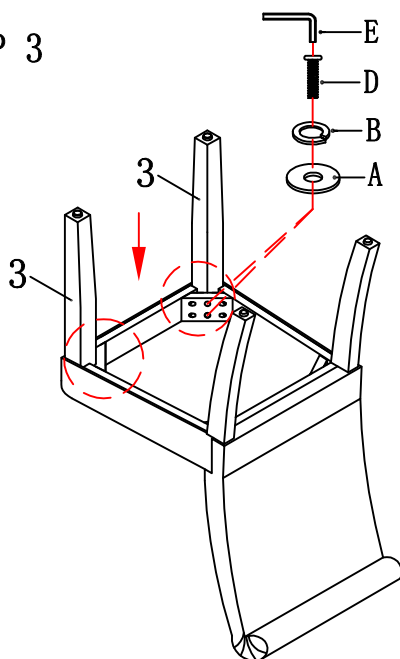
STEP 1



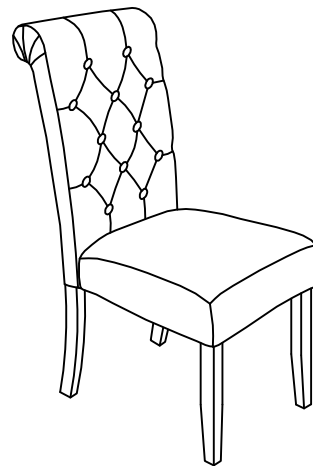
STEP 2



STEP 3



STEP 4



DO NOT TIGHTEN SCREWS UNTIL COMPLETELY ASSEMBLED