

CARE AND MAINTENANCE

Store outdoor furniture indoors or cover well when not in use.

Remove wooden furniture from standing water. Dust regularly with small brush or vacuum

Spills should be taken care of immediately before they harden or stain with a slightly dampened sponge.

NOTICE

- * Please make sure that you have all parts indicated before you begin assembly of this item
- * This item should be assembled on a soft surface to prevent scratching the finish during assembly
- * This item may require periodic tightening

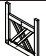
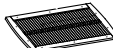




Weight Capacity : 40 lbs

Warning : Do not stand on table

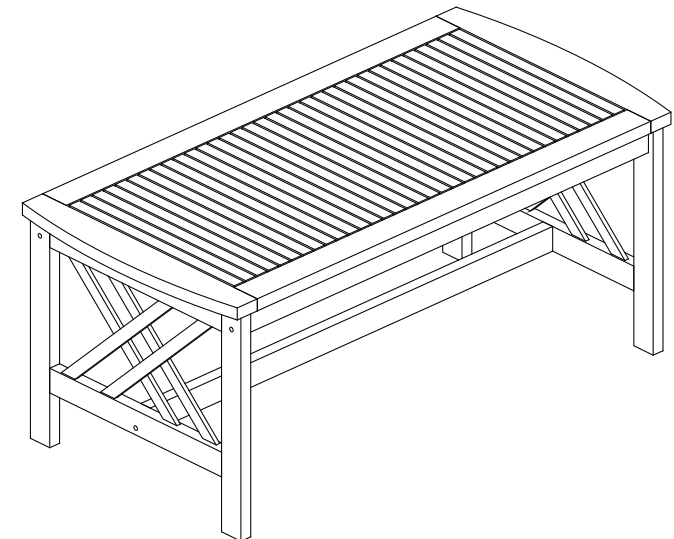
Warning : Do not over torque bolts / screws



Part List and Hardware List

PIECE	DESCRIPTION	PICTURE	QUANTITY
A	Frame leg		2X
B	Top Frame table		1X
C	Cross bar		2X
D	Cross bar		1X
E	Screw -1	 M6X60	12X
H	Allen key	 LG5	1X

Product Dimensions:40.15" W x 19.68" D x 16.93" H



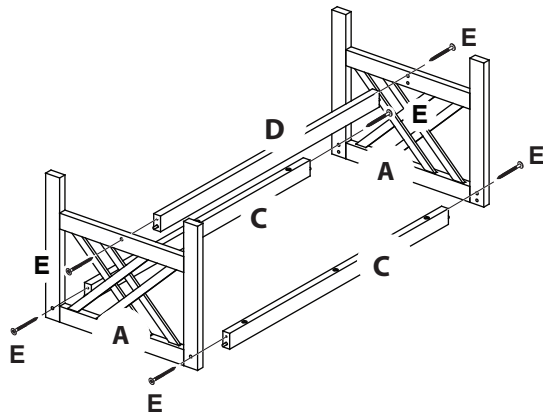
PREPARATION

Before beginning assembly of product, make sure all parts are present. Compare parts with package contents list and hardware contents list. If any part is missing or damaged, do not attempt to assemble the product.

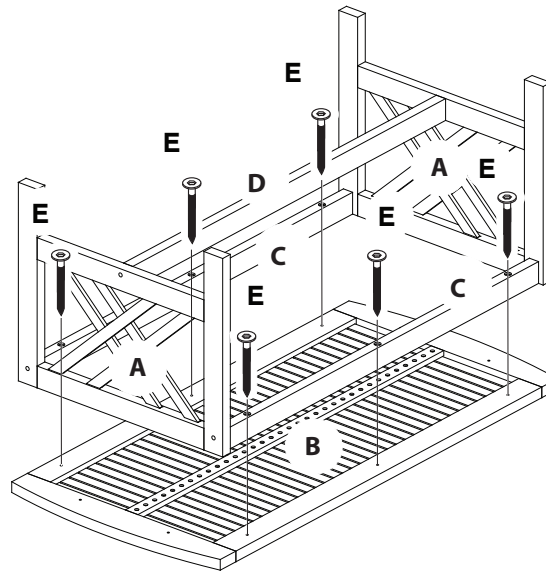
Estimated Assembly Time: 10 minutes.

Tools Required for Assembly (included): Allen Key

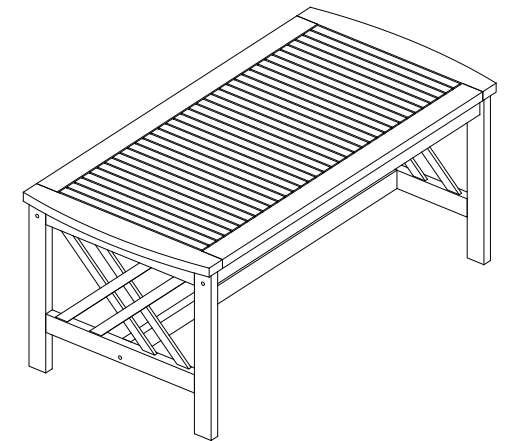
1



2



3



Step 1

Attach top frame (A) to (C),(D),use allen key (H) to tighten screws.

Step 2

Attach (A),(C),(D) to (B),use allen key (H) to tighten screws (E).

Step 3

Complete.