

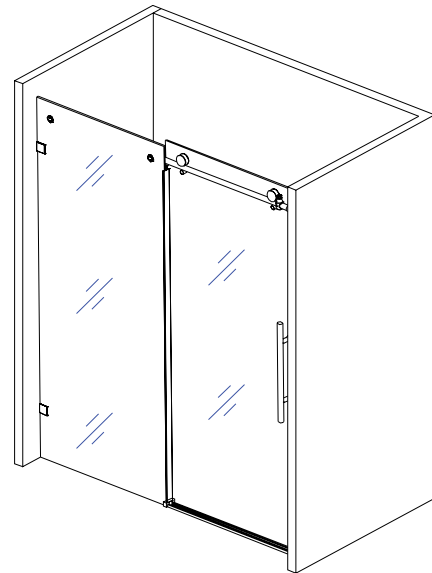


Glass Warehouse

Sliding Shower Door Installation Guide

Vimeo link for installation guide video

<https://vimeo.com/386354877>



BP05P2

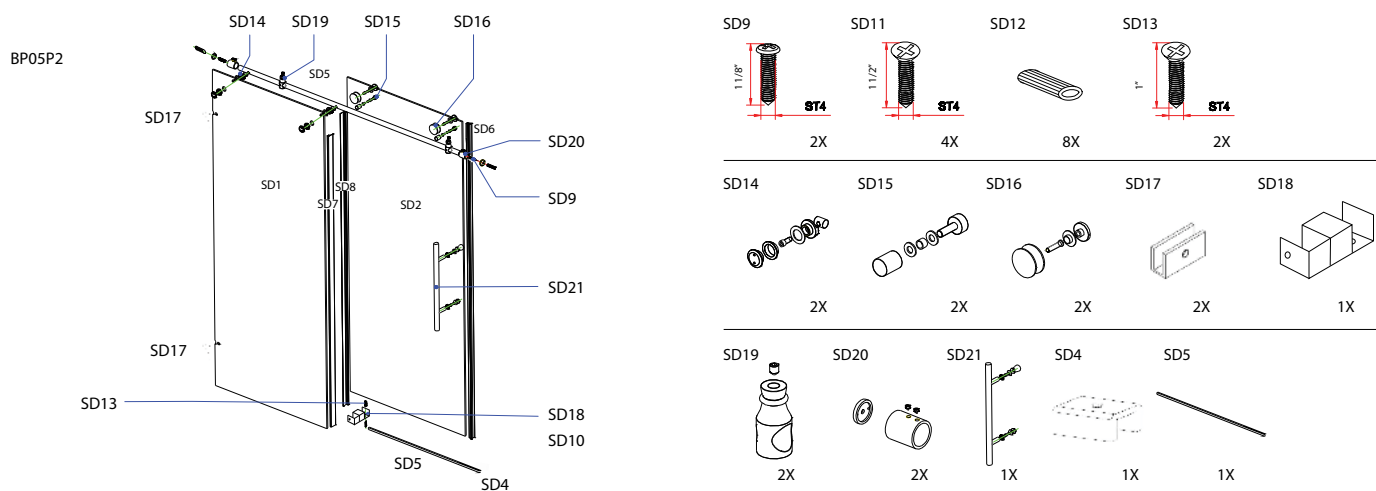
Sliding Shower Door Installation Guide

Contents

Tools Required



Shower Door Parts

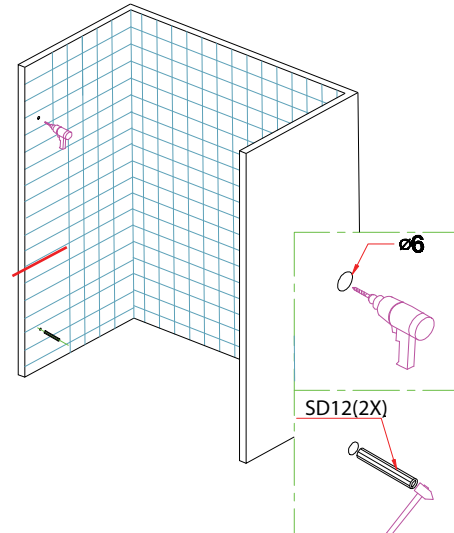
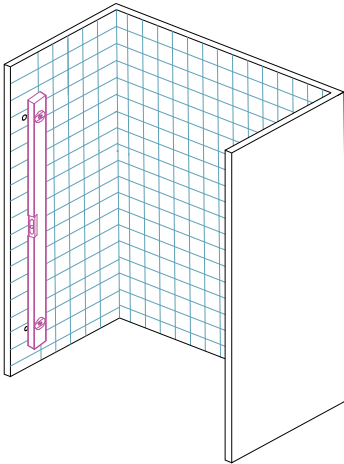


ATTENTION INSTALLER:

A light haze or smudging may be present on the coated glass on delivery. This is easily removed by washing with denatured or isopropyl alcohol and a good quality microfiber cloth, followed by a rinse of water. This can be done before or after installation.

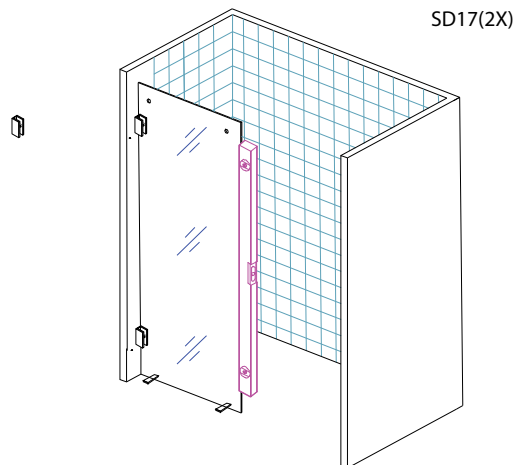
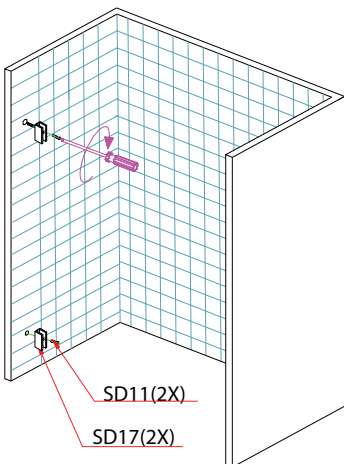
Sliding Shower Door Installation Guide

Step 1 - Before starting the installation process place door panel inside the shower on cardboard to protect the bottom of door, this will make it easier for installation at later stage once fixed panel and bar has been set in place.



Step 2 - Measure the width of threshold tile where shower door is to be installed, this needs to be a minimum of 3" to instal this model shower enclosure. On the wall where the fixed panel is to be placed measure to the centre of the threshold tile, from here measure back toward the front of shower 1 1/8" and mark the wall with a pencil. Using a level draw a line up the wall at this point.

Step 3 - Along the drawn level line, mark 8" and 70" from floor. Using a 1/4" drill bit, you will drill the holes and install the wall anchors parts SD12



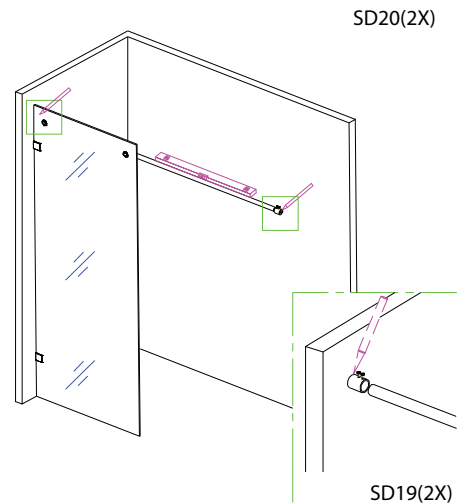
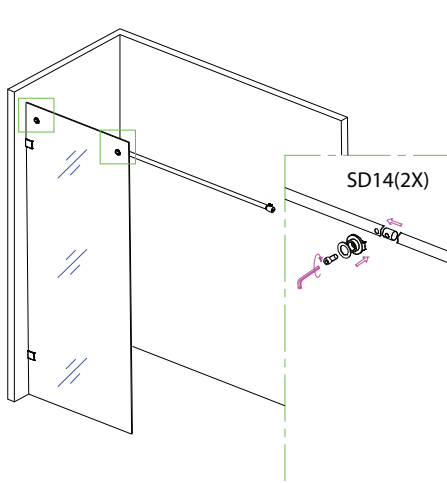
Step 4 - Install SD17 Wall Clips.

Step 5 - Measure the width of the fixed panel and place the 1/8" thick rubber blocks provided 3" in from each end where the glass panel will sit on the tile / pan. Gently place down the glass panel on the rubber blocks & slide glass into the wall brackets. Check the glass is level, if not adjust by adding thinner 1/16" rubber block to the blocks already placed on the floor. Once level tighten the grub screws very tight on the wall brackets



BP05P2

Sliding Shower Door Installation Guide

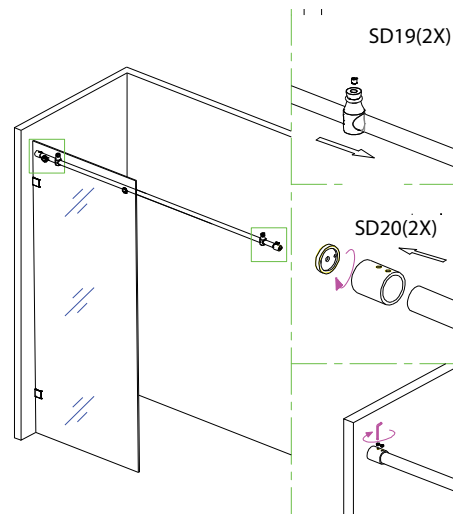
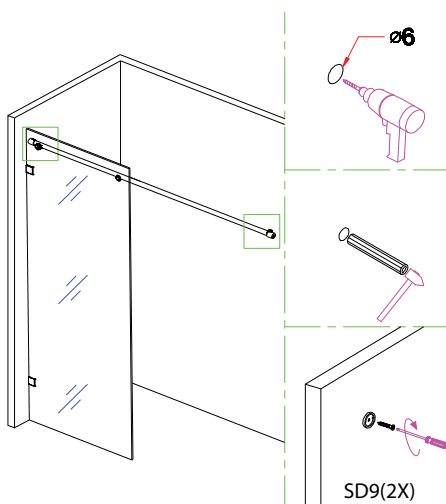


Step 6 - Model numbers & opening adjustability below.

GW-SLD-48 = 44" - 48"	GW-SLD-64 = 60" - 64"
GW-SLD-52 = 48" - 52"	GW-SLD-68 = 64" - 68"
GW-SLD-56 = 52" - 56"	GW-SLD-72 = 68" - 72"
GW-SLD-60 = 56" - 60"	

Measure your opening width and the rod should be 1" less than this measurement. For example if your opening measurement is 47" your rod length should be 46". Very important when cutting rod YOU MUST cut rod at opposite end to the fixed panel brackets.

Step 7 - Install the brackets on shower rod into the holes on the fixed panel. Using a level, check rod is perfectly level from one wall to the other. Once in correct position mark the placement of brackets on wall and uninstall rod from glass panel. Remove one of the wall brackets from rod and mark the holes to be drilled on each wall.

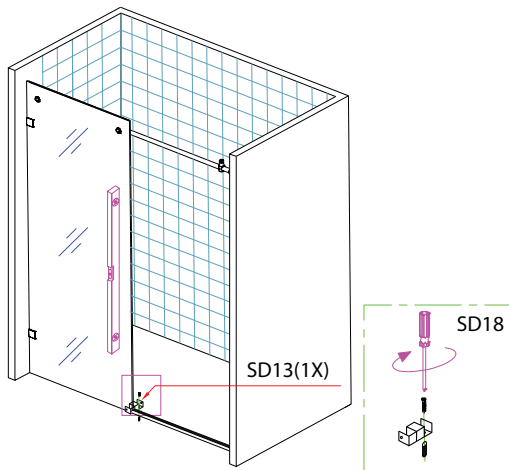


Step 8 - Using 1/4" drill bit, drill holes and install wall plug. On one wall install only the round flat fixing piece with rest of bracket remaining on rod. On the second wall install the complete bracket. This allows you to slide the rod into one whole bracket and then screw remaining bracket on at opposing wall. Re-check the rod and glass and fixed panel are level then tighten the brackets on fix panel very tight.



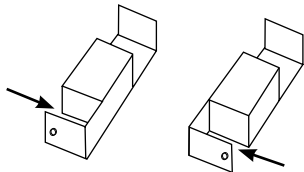
BP05P2

Sliding Shower Door Installation Guide



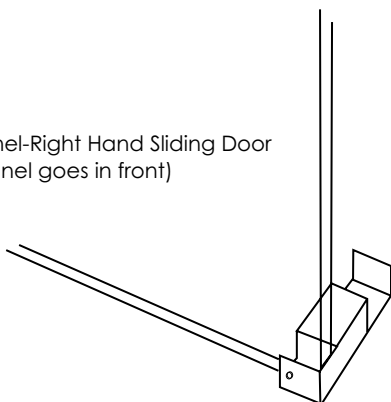
Step 9 - ATTENTION: Please ignore the video installation instructions for this section as the SD18 has been upgraded to a higher quality floor bracket, for easy installation.

Make sure both ends of the fixed panel are the same distance to the front of the threshold tile (or fiberglass pan) and check panel is level again. On the floor bracket (SD18) loosen the allen screw on solid section of bracket and rotate the adjustable end which fits into fixed panel to suit left or right installation, **see illustration 9a below**. Once the end has been rotated to suit your direction re tighten the allen key screw and slide bracket over fixed panel, mark the drill hole on the curb and remove the bracket so you can drill the 1/4" hole into curb. Now install green anchor plug, fill this hole with a little bit of silicone to waterproof, reinstall bracket on fixed panel then screw the bracket down to secure. Note: If you are fixing floor clamp to fiberglass shower base use a 1/8" drill bit to pre-drill the hole rather than 1/4" tile drill bit. You will not use the green wall anchor on shower base.

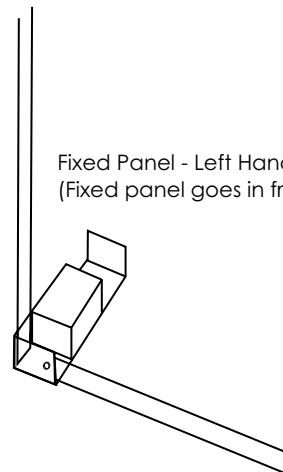


9a. Fixed Panel Clamp can be manipulated for either a right or left hand shower by loosening the allen screw on the bottom of the floor bracket (SD18). The fixed panel will always go in front while the sliding panel always goes on the inside/ shower side of the floor bracket (SD18).

Fixed Panel-Right Hand Sliding Door
(Fixed panel goes in front)

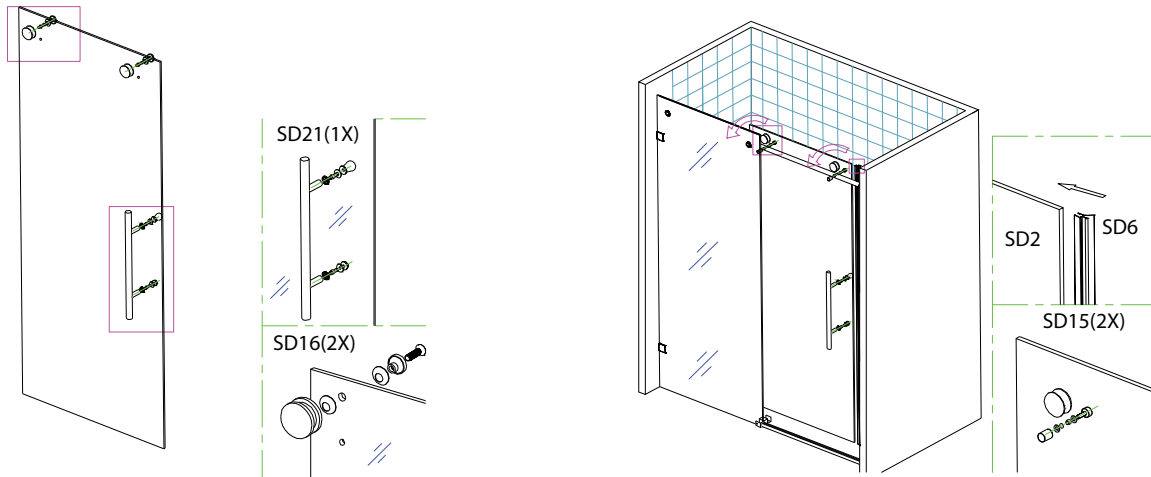


Fixed Panel - Left Hand Sliding Door
(Fixed panel goes in front)



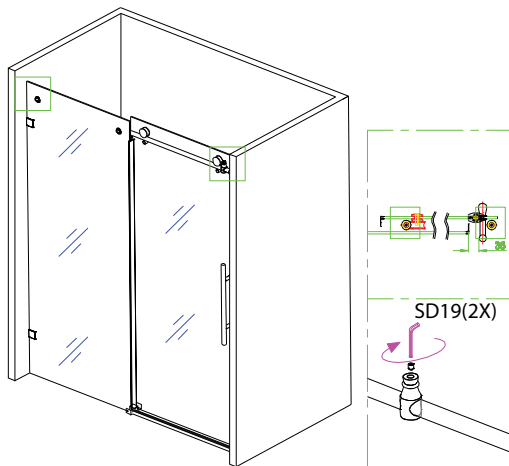
BP05P2

Sliding Shower Door Installation Guide



Step 10 - Install hardware rollers and handle on door panel.

Step 11 - Install the door panel, lift the door and slowly lower the rollers onto the shower rod. When lowering the panel be sure the bottom of door panel slides into the floor bracket. Install SD 15 clips on glass door to prevent the door from being able to come off rollers. Gently slide door from side to side making sure it is not binding anywhere along the bottom. Check the door is level and lines up evenly with the wall - if not, adjust the heights / level with the adjustments in door rollers.

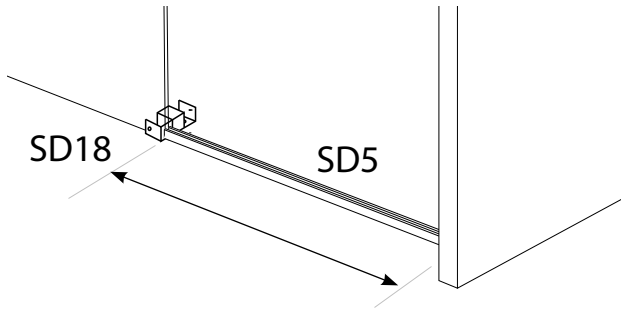


Step 12 - Adjust Parts SD 19 door stops on top of shower rod to ensure the door panel does not hit the wall or the door handle touches the fixed panel.

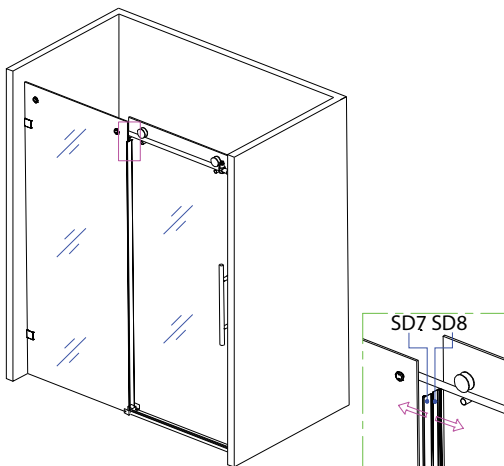


BP05P2

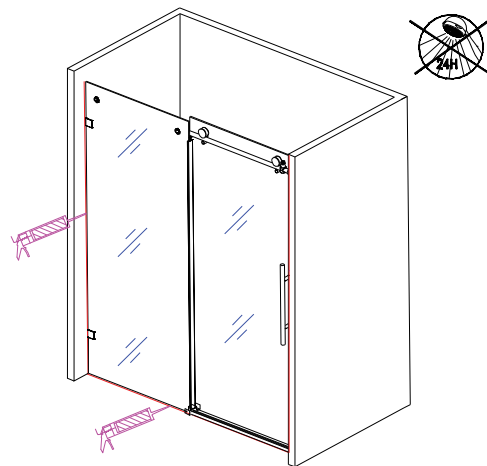
Sliding Shower Door Installation Guide



Step 13 - Install aluminum floor strip (SD5) to prevent water leakage. Measure distance from floor bracket (SD18) to wall and cut aluminum floor strip (SD5) to fit. Put a small bead of silicone under strip for waterproofing and set in place. Tape aluminum strip to floor surface using masking tape and allow to dry for 24 hours.



Step 14 - Install the plastic weather strip on panels.



Step 15 - Silicone the fixed panel inside and outside of enclosure.



Scan QR Code for
installation guide video

<https://vimeo.com/386354877>





Care & Maintenance



EnduroShield makes your cleaning easier and less frequent; however it is recommended that you continue to clean the surfaces regularly.

Maintaining the Treated Surface

For best results simply drying the glass with a squeegee or towel after each use will help keep the glass clean and reduce mineral spots forming. The glass needs to be cleaned every few weeks using a damp microfiber cloth and a mild detergent to break down soaps, oils, and conditioners on the glass. General glass cleaners are also suitable, however most of these are finishing agents rather than cleaners, and are an added expense that is not required.

Hard Water Maintenance

In hard water areas, or areas where water drops dry and leave a noticeable dust mark, a build of minerals may occur on the protective treatment. While these may not be removed as easily with the mild detergent, mild acids will often remove the marks quickly. As needed white vinegar should be used to wipe down the glass. Keep in mind the vinegar may be diluted with water, however dilution reduces the effectiveness.

Spray vinegar onto the glass and allow to soak for several minutes. This should dissolve any mineral deposits that have built up on the glass surface. A damp microfiber cloth should then be used to wipe over the surface. For extreme hard water areas we recommend using undiluted vinegar every week or so as a cleaning option to reduce this build up on the surface, rather than allowing the build up to continue over a long period of time.

Caution: Prohibited Products **Note these may damage the treatment and void any warranty*

- > Avoid the use of any abrasives or polishes including water spot removers, toothpaste, polishes, rough, or gritty substances
- > Avoid the use of acids or alkalis that you would not want in contact with your skin for an extended period of time
- > Avoid products such as Comet, Ajax, Jiff or Cerium Oxide which polish back the actual substrate
- > Avoid the use of any harsh or chemical cleaners, with correct maintenance these are never required

Approved Cleaning Products

The below products have been tested for compatibility with EnduroShield, however there are no specific products that must be used. We feel you should not be required to purchase extra products in order to keep your glass clean. With correct maintenance, all you need for clean glass beyond 10 years is a squeegee, a mild liquid dish soap, and white vinegar.

Any product that does not fall into the prohibited categories listed above will be fine, and below is a short list of acceptable products:

- > Windex
- > SprayWay (or other alcohol based foaming cleaners)
- > Scrubbing Bubbles (or other automatic leave-to-dry daily shower cleaners)
- > 7th Generation, Dawn (or other mild eco friendly cleaners)
- > CLR (Calcium Lime Rust)
- > Mr. Clean Magic Eraser (when damp)

It should be noted that with any cleaner used on the EnduroShield surface a thorough rinse with clean water should follow immediately. Although these cleaners can be used, EnduroShield is designed to be an 'easy clean coating' that does not require harsh or toxic cleaning chemicals to maintain the surface effectively.

If for any reason the recommended maintenance has not been followed for some time, just as it took time for the build up to occur, it will take time to remove the debris from the protected glass surface. This can most commonly be achieved using undiluted white vinegar dampened on a Magic Eraser, or CLR on a Magic Eraser. Depending on the severity of the build up this may take multiple attempts, but once the glass is clean again it will perform like new. Should you have any queries regarding the cleaning of your treated surfaces please contact EnduroShield.

tel: 805 617 4609

email: salesusa@enduroshield.com

www.enduroshield.com

GLASS WAREHOUSE®

Exclusive Limited Warranty

Warranty, Terms and Conditions

This warranty is effective as of JANUARY 1, 2019 on all Glass Warehouse product purchases

PLEASE READ GLASS WAREHOUSE WARRANTY TERMS AND CONDITIONS BEFORE INSTALLING YOUR GLASS WAREHOUSE PRODUCT. BY USING THE PRODUCT, YOU ARE CONSENTING TO BE BOUND BY THE FOLLOWING WARRANTY TERMS AND CONDITIONS

Glass Warehouse offers the following warranty for its products and components thereof. This warranty extends only to the original owner/end-user for household use only and is not transferable to a subsequent owner. Glass Warehouse reserves the right to modify this warranty at any time, it being understood that such modifications will not alter the warranty conditions applicable at the time of sale of the products in question. This warranty extends for a designated period of time, so long as the product remains in use in its original place of installation and that the product must be maintained as described in the owner's manual supplied with the product. This warranty applies only to Glass Warehouse® products purchased from an authorized dealer in the United States or Canada.

Proof of purchase (original sales receipt) from the original consumer purchase must be provided with all warranty claims. No responsibility is assumed by Glass Warehouse for any special, incidental or consequential damages. **IN NO EVENT SHALL THE LIABILITY OF GLASS WAREHOUSE EXCEED THE PURCHASE PRICE OF THE UNIT.**

Glass Warehouse products must be installed by a fully insured, licensed professional and according to the Glass Warehouse installation instructions and guidelines. Installation of Glass Warehouse product by anyone other than a fully insured licensed professional shall **VOID THE WARRANTY**. Glass Warehouse recommends that such licensed professionals have experience in the installation of bathroom products -specifically glass shower and glass tub doors. Installation of certain products, including, without limitation, glass products (i.e., shower and tub doors) by an unlicensed or inexperienced installer may result in glass breakage and, consequently, may cause personal injury or even death and Glass Warehouse will not be liable.

PARTS ONLY WARRANTY – Limited Warranty 3 years

This warranty is extensive in that it covers replacement of all defects. Glass Warehouse may, at its option, examine and inspect the alleged defective product and Glass Warehouse may request that parts be returned to Glass Warehouse at Owner's expense for factory assessment and inspection. If Glass Warehouse determines product to be covered by the above Warranty, replacement parts will be shipped via ground shipping. Increased costs for expedited delivery, if requested by the Customer, will be the responsibility of Customer. Parts replaced under the terms of this Warranty will be warranted for the remainder of the original warranty period. **LABOR CHARGES AND/OR DAMAGE INCURRED DURING INSTALLATION, REPAIR, OR REPLACEMENT, AS WELL AS ANY OTHER KIND OF ANCILLARY COST, LOSS OR DAMAGE ARE EXCLUDED.** Please allow up to 1-3 business days for processing of warranty issued parts. Once warranty replacement parts are shipped, warranty is activated and product cannot be returned for refund thereafter.

SHOWER & TUB DOORS, SHOWER ENCLOSURES GLASS

Glass Warehouse shower doors, tub doors, and shower enclosures are backed by a Limited Lifetime Warranty. Glass Warehouse warrants the glass of shower doors, tub doors and shower enclosures to be free from defects in workmanship and materials under normal residential use for a period commencing from the initial date of purchase by the owner/ end-user, contractor or builder from an authorized Glass Warehouse dealer for the life of the product as long as the original consumer purchaser owns the home in which the product is installed. Warranty for plastic seal strips, sweeps or any other vinyl components shall be limited to one (1) year. Glass Warehouse does not warrant glass for scratches, chips, water spots, breaking or any other damage after installation.

SHOWER & TUB DOORS, SHOWER ENCLOSURE HARDWARE

Glass Warehouse shower door, tub door, and shower enclosure hardware is backed by a Limited Lifetime Warranty. Glass Warehouse warrants shower door, tub door and shower enclosure hardware (i.e. handles, bath knobs, hinges, clips, brackets, shower rods, 90° corner brackets) **in chrome, brushed nickel, satin brass and polished brass finishes only** to be free from defects in workmanship and materials under normal residential use for a period commencing from the initial date of purchase by the owner/ end-user, contractor or builder from an authorized Glass Warehouse dealer for the life of the product as long as the original consumer purchaser owns the home in which the product is installed. Warranty for any part in **oil rubbed bronze or matte black finish** shall be limited to one (1) year.



Glass Warehouse hereby disclaims all warranties for products sold as dealer or store displays. Glass Warehouse hereby disclaims all warranties for products used outside of the United States or Canada whether expressed or implied, including but not limited to the implied warranties of merchantability and fitness for a particular purpose.

WARRANTY TERMS

Glass Warehouse will, at its election, repair or replace the product found by Glass Warehouse in its sole judgment, to be defective within the warranty period under normal residential use and maintenance. The replacement of a product is limited to supplying a replacement product or part (same as existing or if not available, comparable product). Glass Warehouse warranty obligation shall be discharged upon tender of parts, replacement or repair of the product. Purchaser's refusal to accept the tender terminates all warranty obligations and **VOIDS THE WARRANTY**. Cost of freight for returning products to Glass Warehouse for repairs or replacement under this limited warranty are the responsibility of the customer. Cost of freight associated with shipping of replacement product(s) or parts covered by this warranty is the responsibility of the original user. Any product replaced or repaired during the warranty period will be covered only for the remaining period of the original warranty. In no event will Glass Warehouse be liable for costs of repair or replacement of any installation material, including but not limited to tile, marble, etc. **GLASS WAREHOUSE IS NOT RESPONSIBLE FOR INSTALLATION, REMOVAL OR REINSTALLATION COSTS OF ANY PRODUCT REQUIRING WARRANTY SERVICES.**

Any modification or alteration of any Glass Warehouse products will void the warranty. Neither the authorized Glass Warehouse dealer, nor any other person is permitted to make any affirmation, representation, or warranty other than those contained in this warranty. Any affirmation, representation, or warranty other than those contained in this warranty shall not be enforceable against Glass Warehouse or any other person.

Glass Warehouse product installations must be performed by either a Glass Warehouse authorized agent or a licensed, insured and experienced professional contractor - installations performed by any other party shall void the warranty. This warranty shall not apply to breakage or damages caused by normal wear and tear, fault, carelessness, abuse, misuse, misapplication, improper maintenance, alteration or modification of the unit, as well as chemical or natural corrosion, accident, fire, flood or any other casualty. Improper care and cleaning will void the warranty. Use of cleaners containing abrasive cleansers, ammonia, bleach, acids, waxes, alcohol, solvents or other products not recommended for hardware finishes, glass or acrylic as they may damage the metal or glass finish of your shower door or shower enclosure and will void the warranty. For additional product maintenance instructions please refer to the product installation manual. Glass Warehouse is not responsible for any issues arising in connection with errors or omissions in information provided on Glass Warehouse or dealers' websites. This warranty does not extend to any non-Glass Warehouse plumbing or components installed by installers, end users or by any party other than Glass Warehouse.

THE FOREGOING WARRANTIES ARE IN LIEU OF ALL OTHER WARRANTIES, EXPRESSED OR IMPLIED, INCLUDING BUT NOT LIMITED TO THE IMPLIED WARRANTIES OF MERCHANTABILITY AND FITNESS FOR A PARTICULAR PURPOSE. BATH AUTHORITY LLC ("GLASS WAREHOUSE") AND/OR SELLER DISCLAIMS ALL LIABILITY FOR SPECIAL, INCIDENTAL OR CONSEQUENTIAL DAMAGES. GLASS WAREHOUSE IS NOT LIABLE FOR PERSONAL INJURIES OR DEATH TO ANY PERSON OR FOR ANY DIRECT, SPECIAL, INCIDENTAL OR CONSEQUENTIAL DAMAGE, LOSS OF USE, LOSS OF TIME, LOSS OF PROFITS, INCONVENIENCE, INCIDENTAL EXPENSES, LABOR OR MATERIAL CHARGES, OR ANY OTHER COSTS RESULTING FROM THE USE OF ITS PRODUCTS OR PERTAINING TO THE APPLICATION OF THE PRESENT WARRANTY, OR RESULTING FROM THE REMOVAL OR REPLACEMENT OF ANY PRODUCT OR ELEMENT OR PART COVERED BY THIS WARRANTY.

COMMERCIAL USE AND OTHER EXCLUSIONS

This warranty excludes all industrial, commercial and business usage. The warranty period for products installed for commercial applications or used in commercial ventures, including but not limited to motels, hotels, casinos, student housing, condos, apartments, and fitness centers, is a one (1) year limited warranty from the date of purchase for shower doors, bathtub doors, shower enclosures and a three (3) month limited warranty from the date of purchase for mirrors, with all other terms of this warranty applying except the duration of the warranty.

WARRANTY SERVICE

To file a warranty claim the following information is required:

- Name, address and telephone number
- Product model number
- Brief description of problem (please note that additional information such as photos may be required to fully process your warranty claim)
- Proof of purchase (sales receipt, invoice, etc.)
- PO, Invoice or original purchaser name

Submit required information by e-mail: accounts@glasswarehouse.us

Or, contact Technical Support Monday – Friday 8am – 5pm – PST

Technical Support: 760-536-3640

