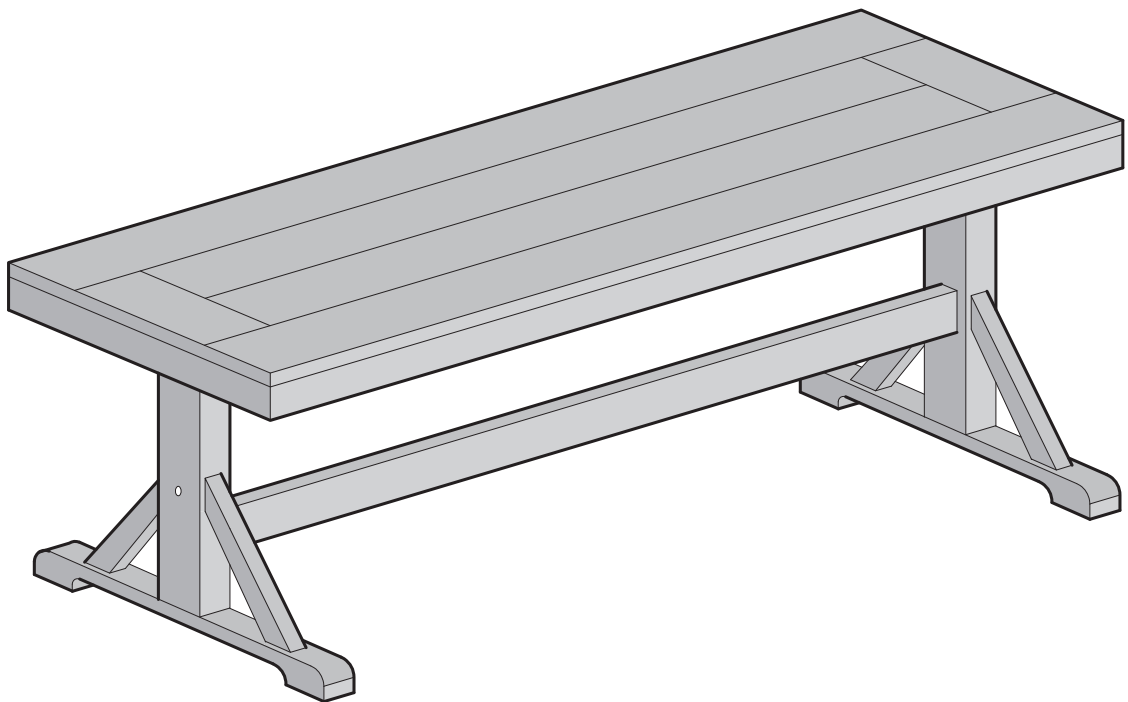


Assembly Instructions

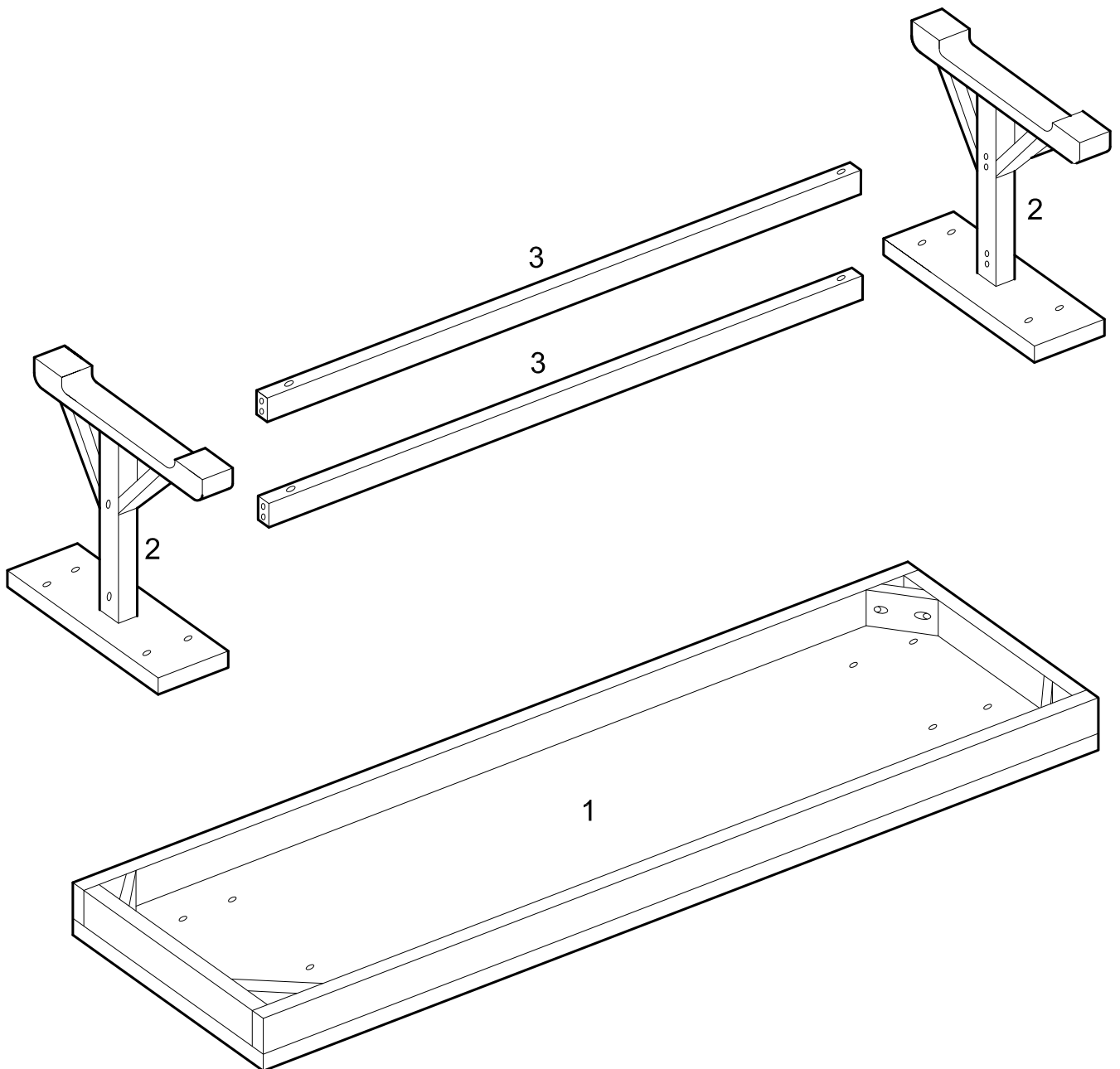


Please visit our website for the most current instructions, assembly tips, report damage, or request parts.






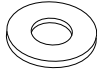


General Assembly Guidelines

- I. Ensure that all parts and hardware are available before beginning assembly.
- II. Follow each step carefully to ensure the proper assembly of this product.
- III. Two people are recommended for ease in the assembly of this product.
- IV. The two main types of hardware used to assemble this product are : wood dowels and bolts.

Parts List

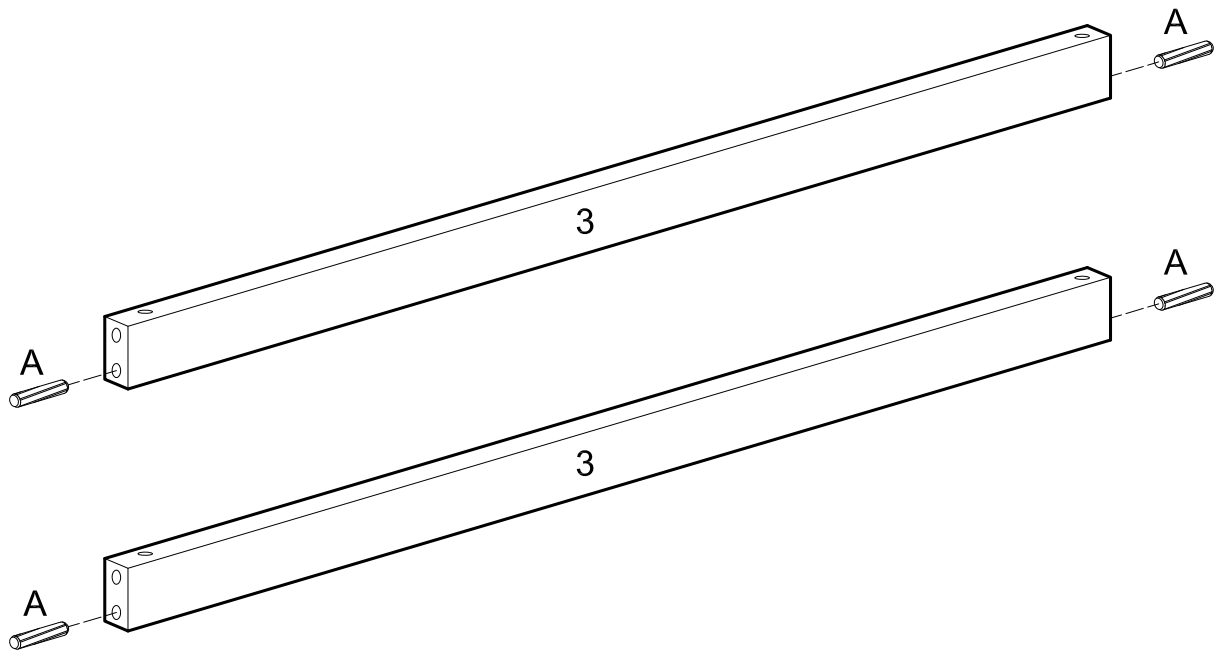


Hardware List

A		M10*35(mm)	Wooden dowel	4 pcs
B		M6*70(mm)	Long bolt	4 pcs
C			Nut	4 pcs
D		M6*35(mm)	Short bolt	8 pcs
E		Ø1/4"	Spring washer	8 pcs
F		Ø1/4"	Washer	8 pcs
G			Wood button	4 pcs
H		M4(mm)	Allen	1 pc

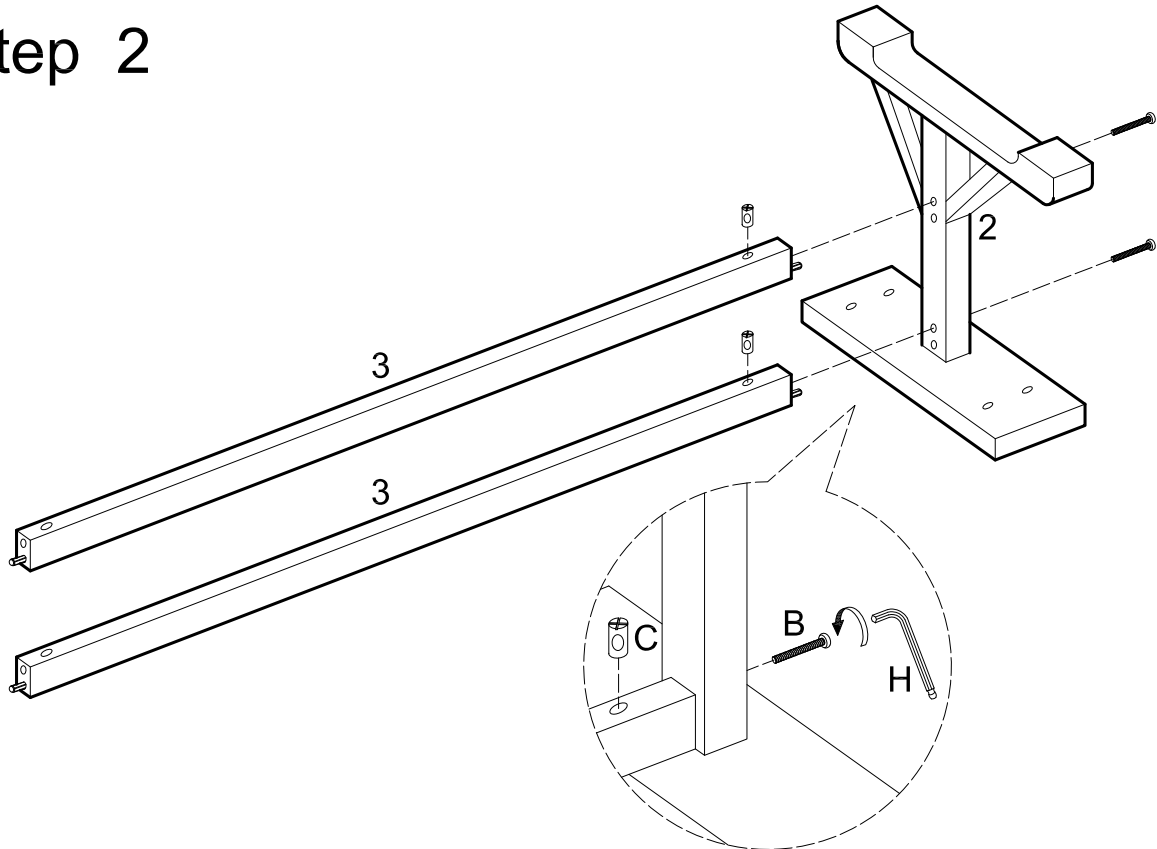
*The hardware quantities listed above are required for proper assembly.
Some extra hardware may also have been included.*

Step 1



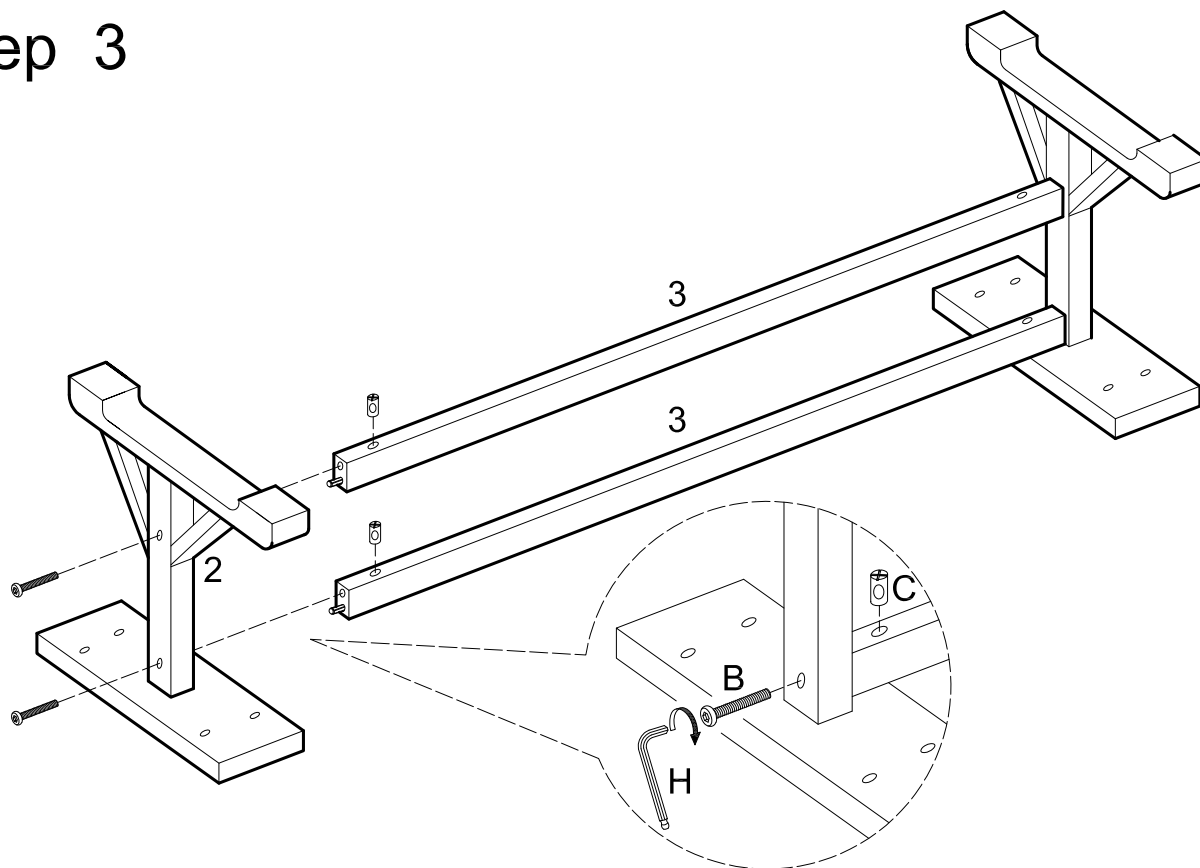
Insert dowels (A) into crossbars (3).

Step 2



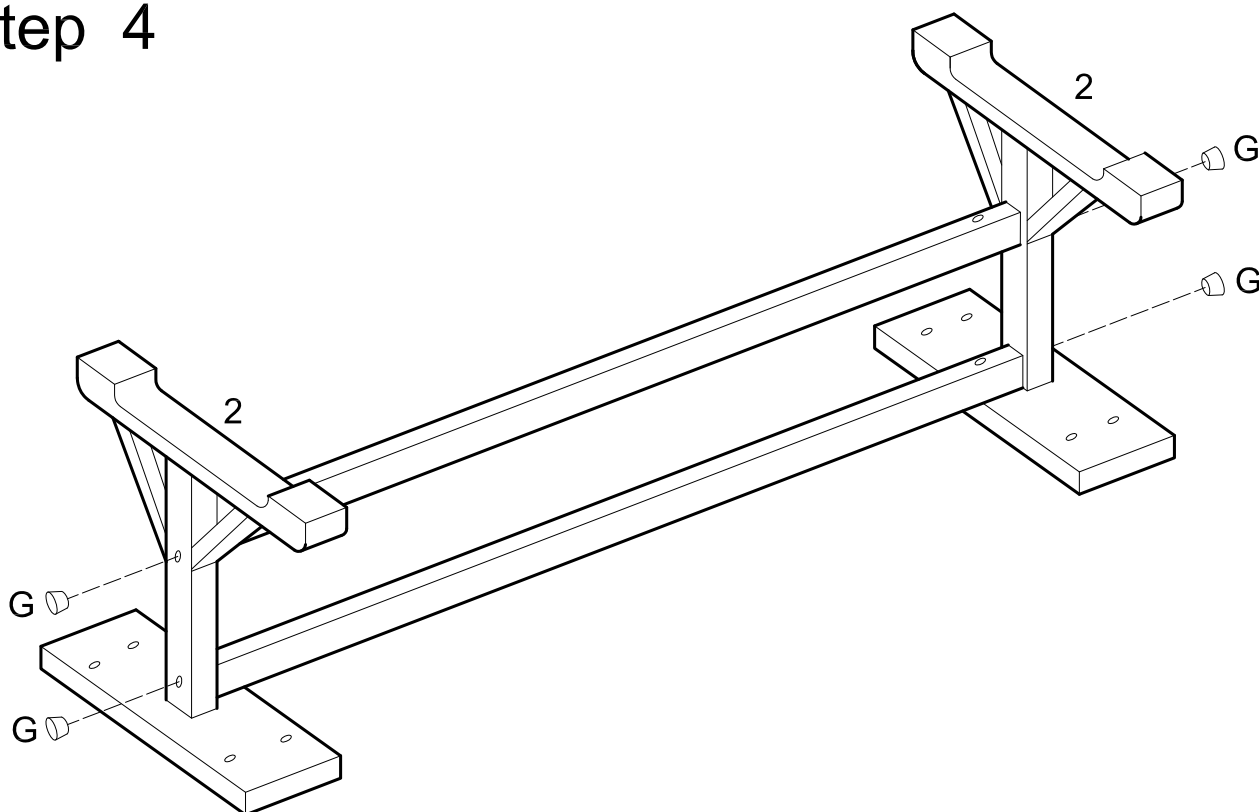
Insert nuts (C) into crossbars (3). Attach crossbars (3) to leg piece (2) using bolts (B). Tighten bolts (B) with wrench (H). Bolts (B) will screw directly into nuts (C).

Step 3



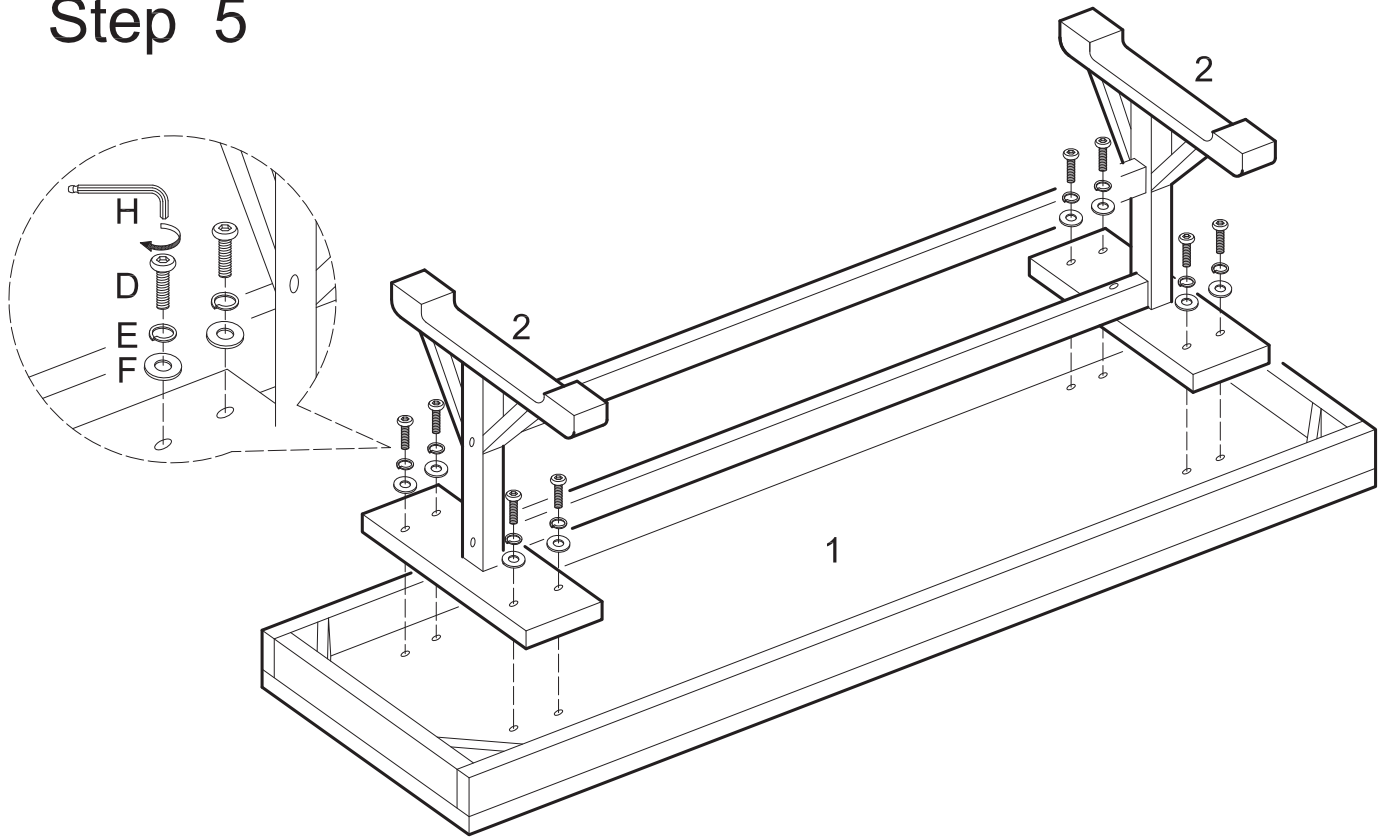
Insert nuts (C) into opposite ends of crossbars (3). Attach crossbars (3) to second leg piece (2) using bolts (B). Tighten bolts (B) with wrench (H). Bolts (B) will screw directly into nuts (C).

Step 4



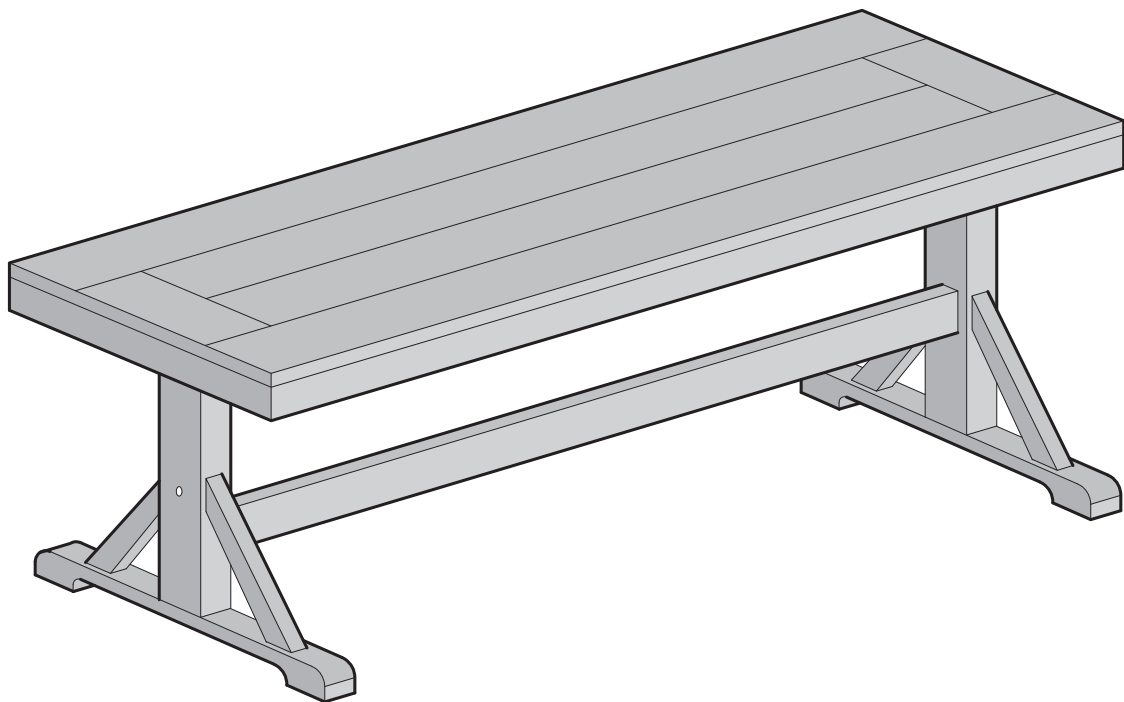
Insert wood buttons (G) into leg pieces (2).

Step 5



Attach leg pieces (2) to bench top (1) using bolts (D), spring washers (E) and washers (F).
Tighten all bolts (D) with wrench (H).

Step 6



Final Assembly