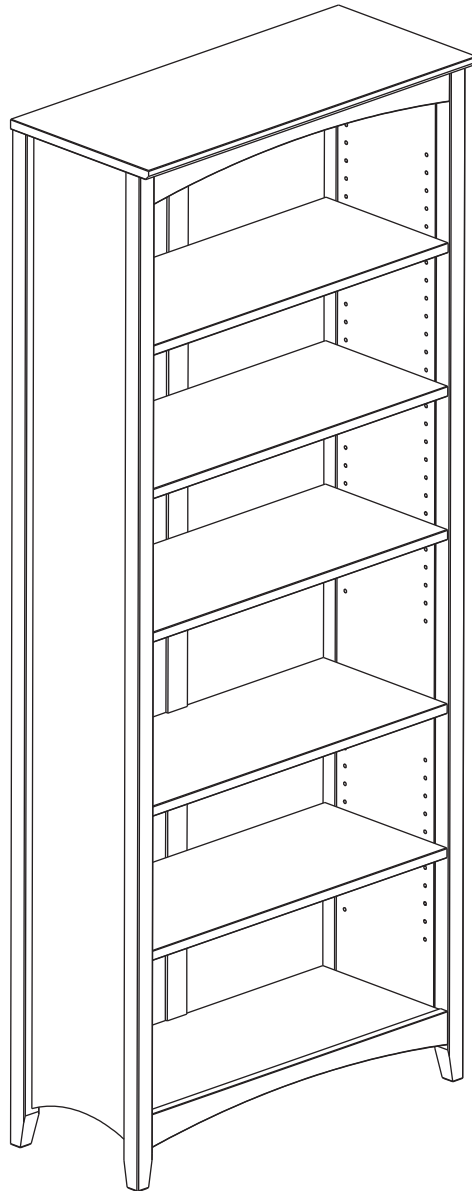
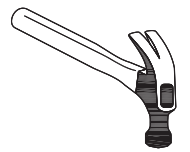
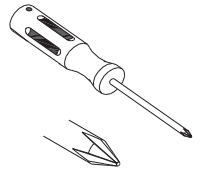
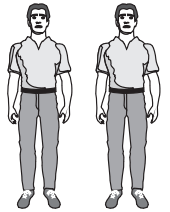


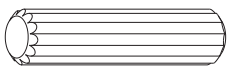
# ASSEMBLY INSTRUCTIONS



00:45 Hs



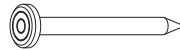
## HARDWARE INCLUDED



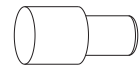
**A - 8,0x30 Wood Dowel**  
Qty. 20



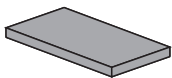
**B - 4,0x30 Screw**  
Qty. 20



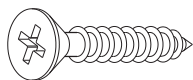
**C - 10x10 Nail**  
Qty. 32



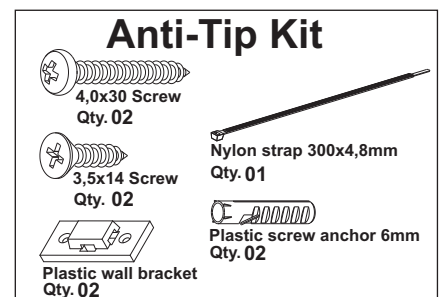
**D - Shelf Support**  
Qty. 16



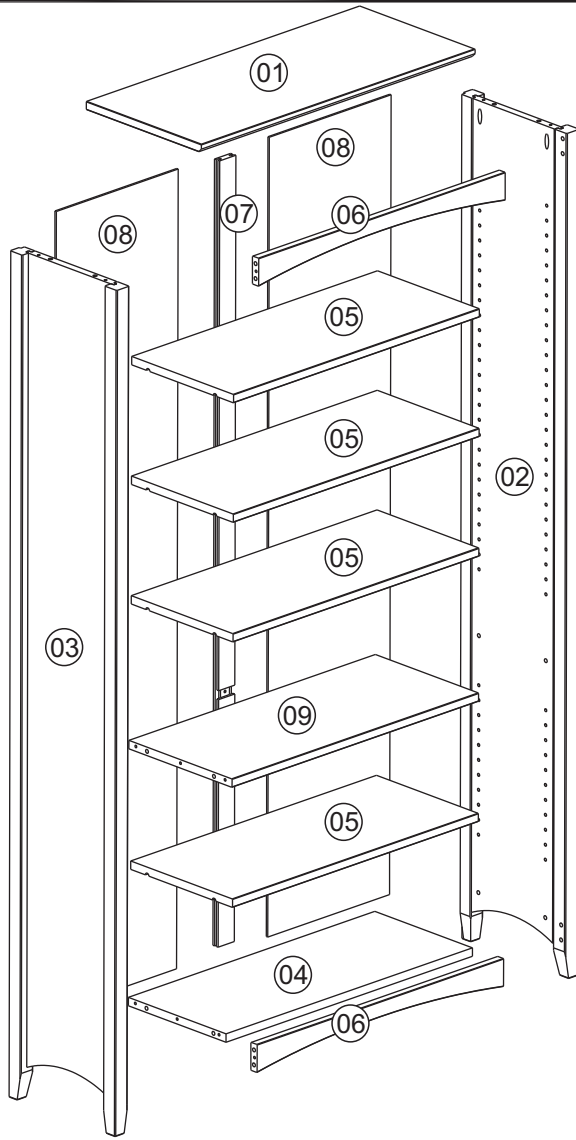
**E - Sticker ribbon**  
Qty. 04



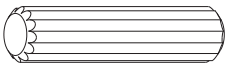
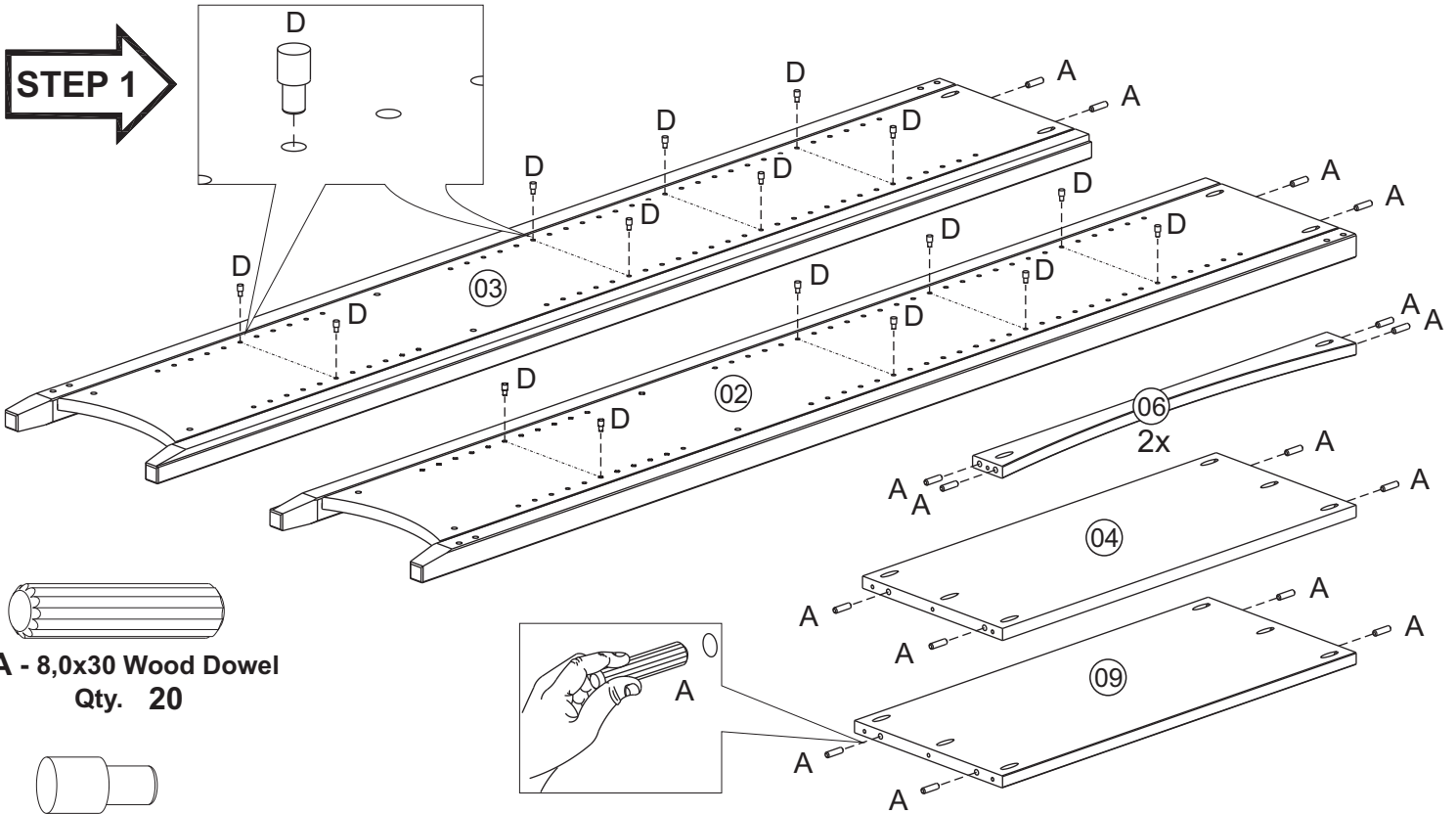
**F - 3,5x25 Screw**  
Qty. 01



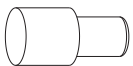
# PARTS INCLUDED



## STEP 1

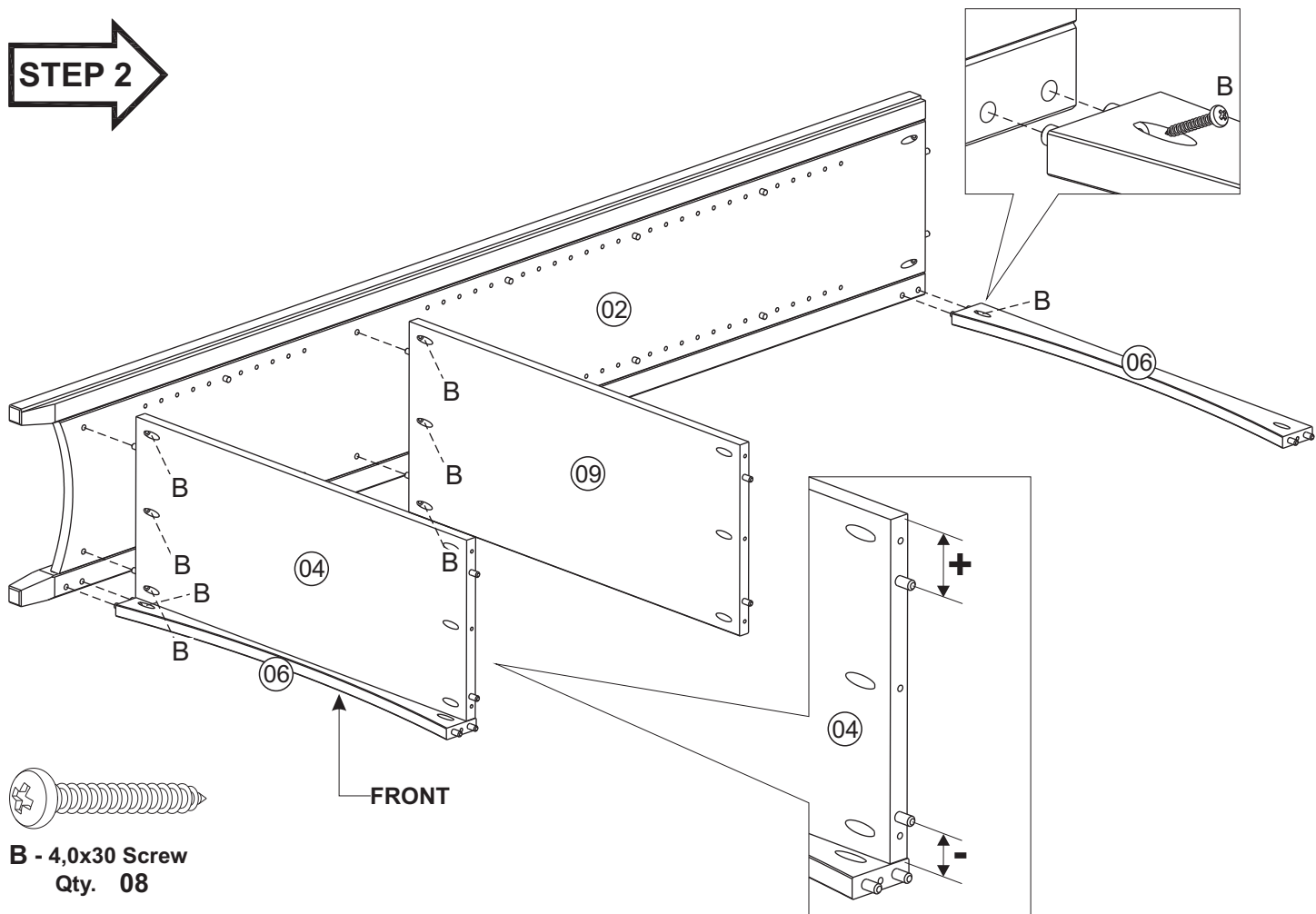


A - 8,0x30 Wood Dowel  
Qty. 20



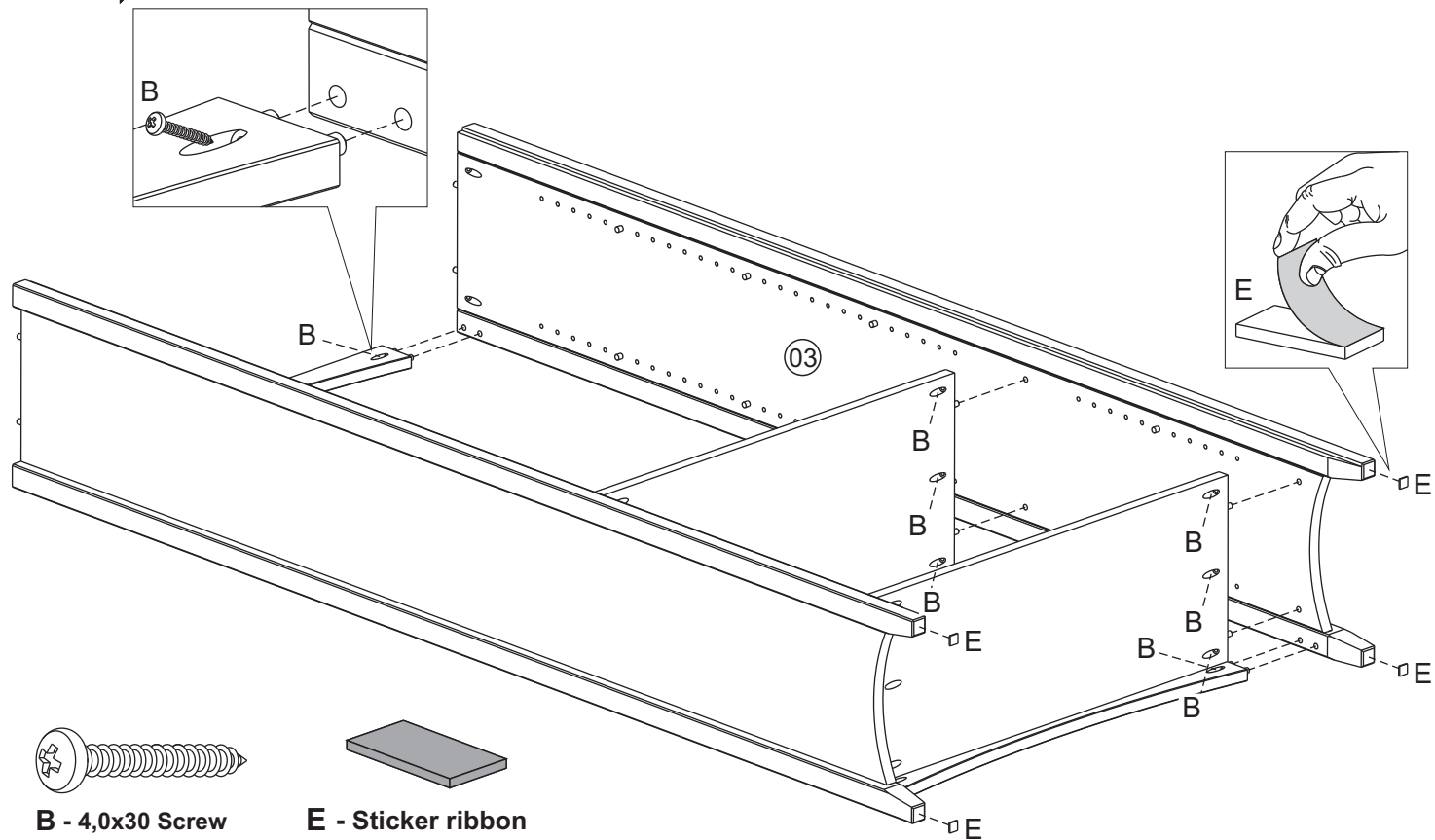
D- Shelf Support  
Qty. 16

**STEP 2**

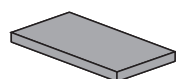


  
**B - 4,0x30 Screw**  
Qty. 08

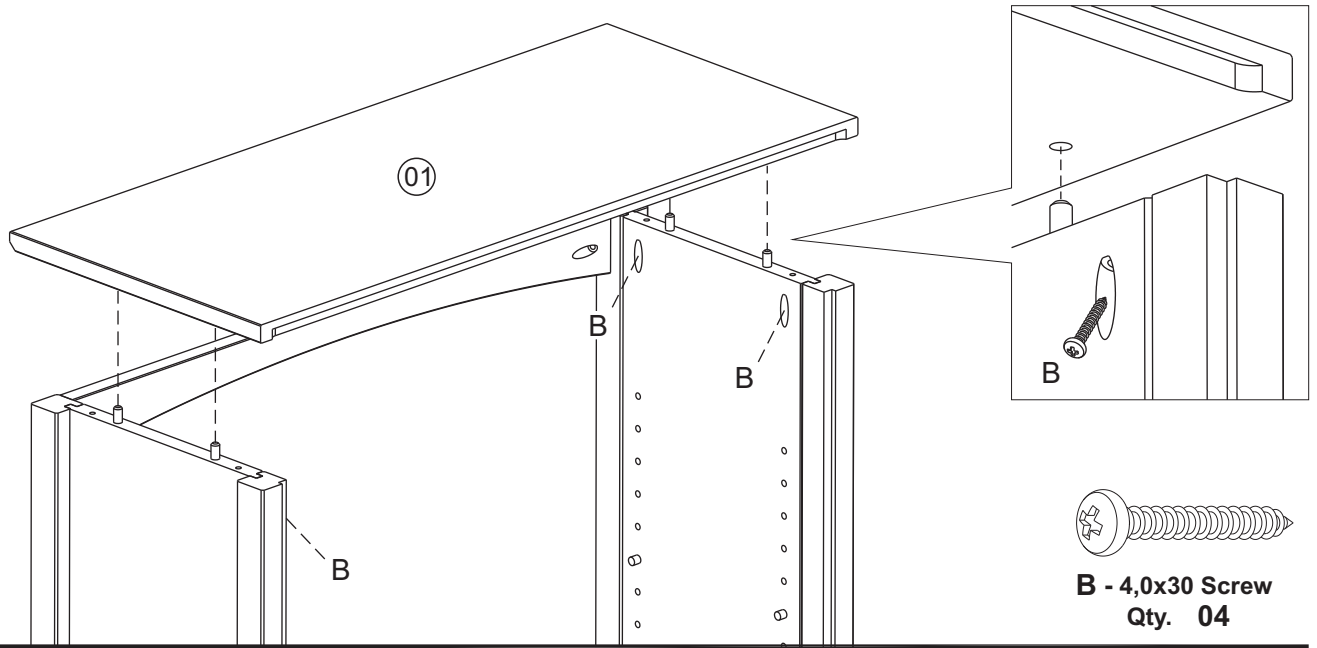
**STEP 3**



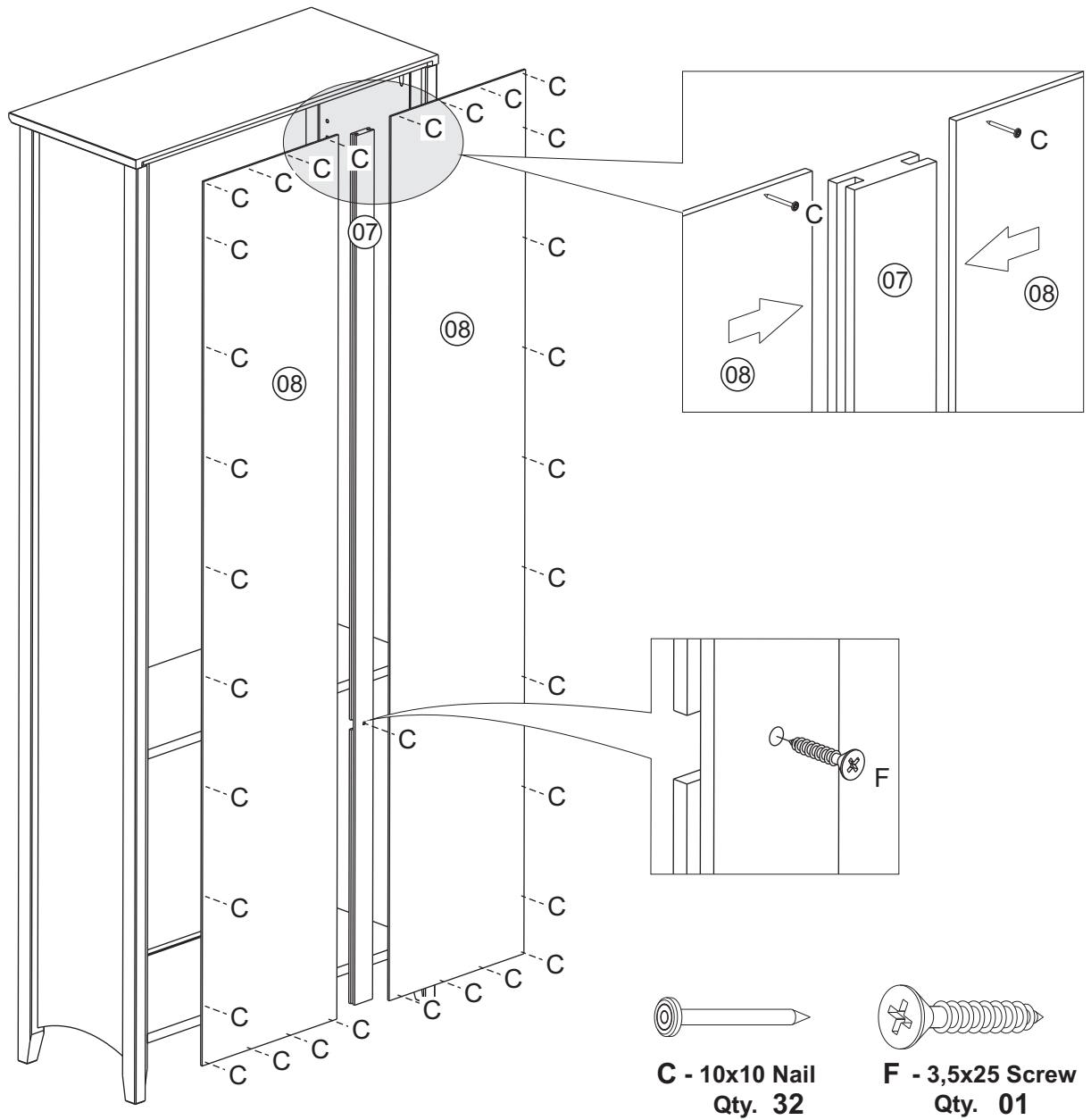
  
**B - 4,0x30 Screw**  
Qty. 08

  
**E - Sticker ribbon**  
Qty. 04

**STEP 4**



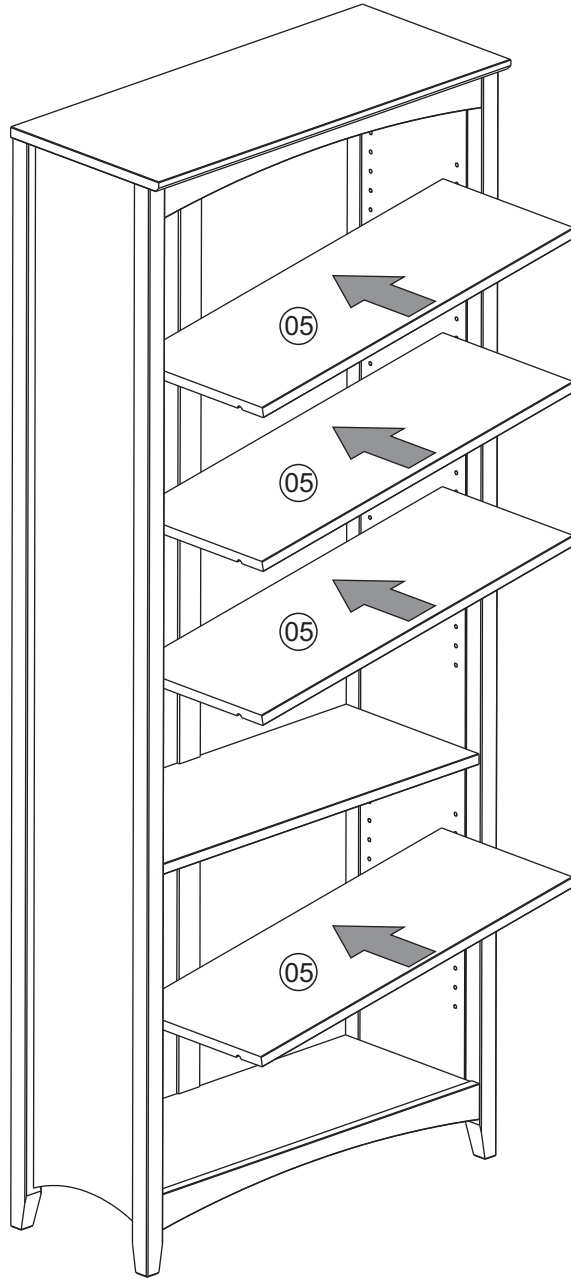
**STEP 5**

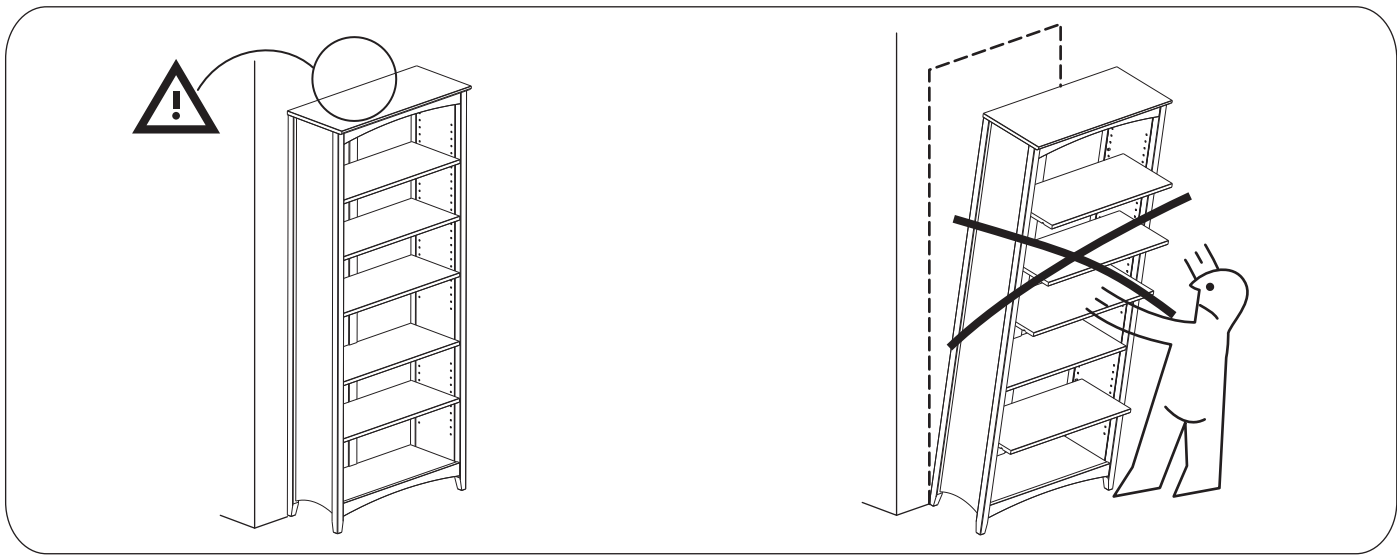


---

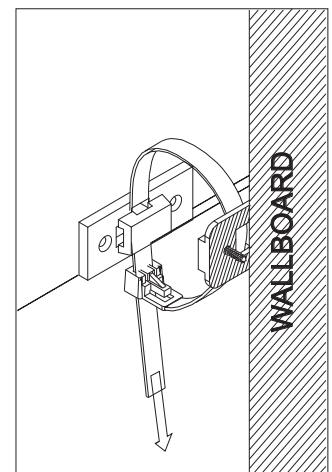
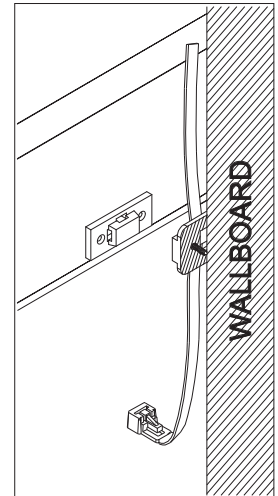
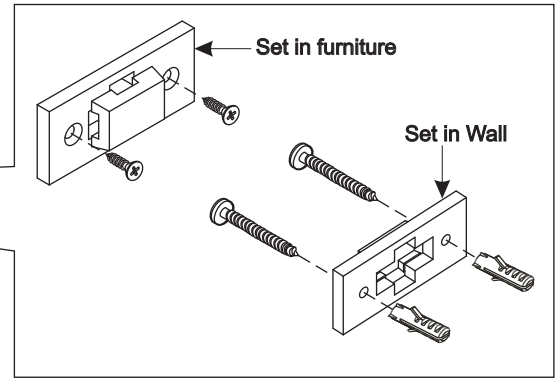
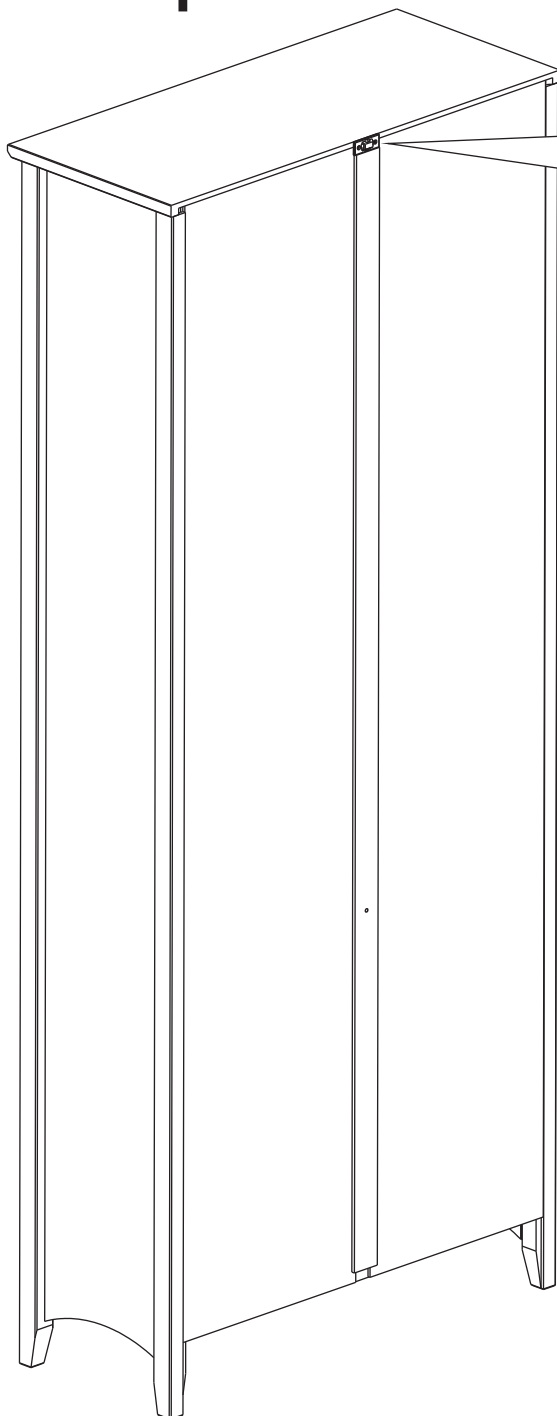
---

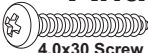

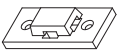


**STEP 6**





# Anti-Tip Kit



- Anti-Tip Kit**
-  4,0x30 Screw  
Qty. 02
  -  3,5x14 Screw  
Qty. 02
  -  Plastic wall bracket  
Qty. 02
  -  Nylon strap 300x4,8mm  
Qty. 01
  -  Plastic screw anchor 6mm  
Qty. 02