

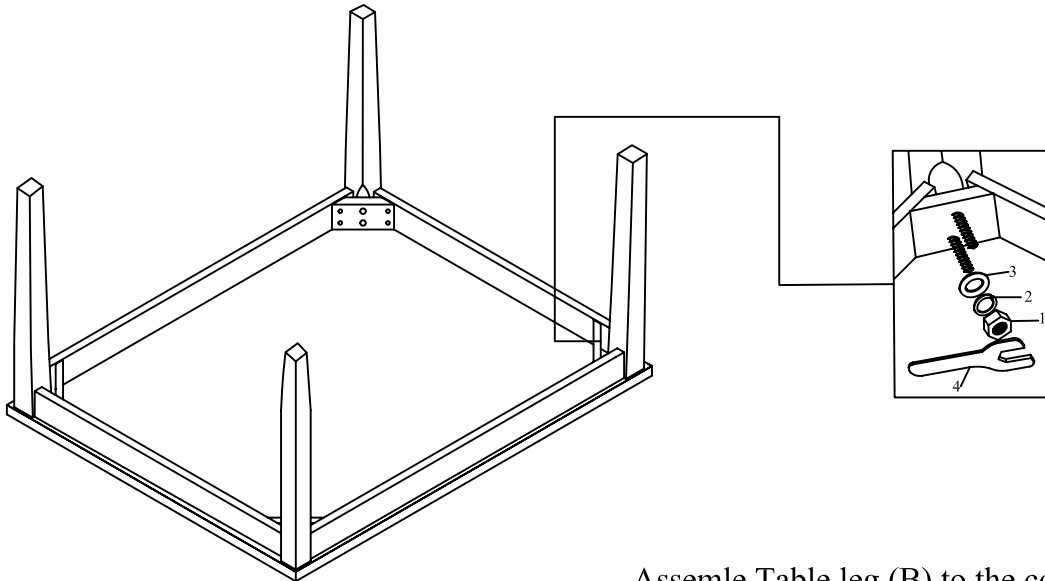
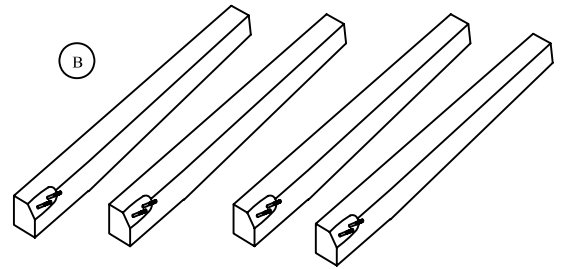
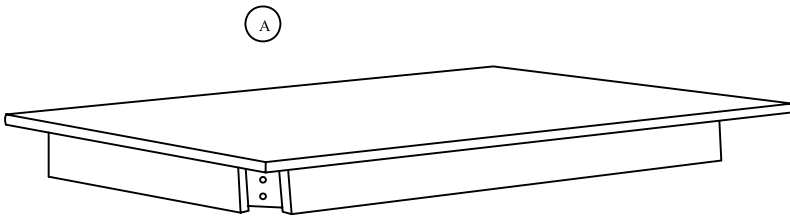
ASSEMBLY INSTRUCTION

DESCRIPTION : BLACK DINING TABLE 36" D X 60" W

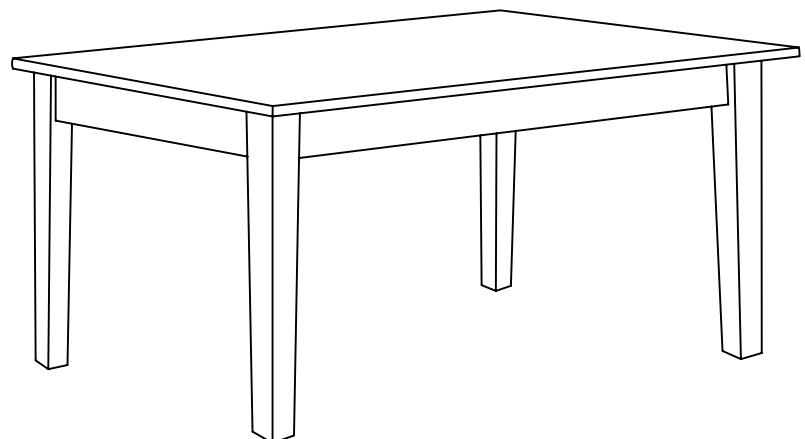
Read this instruction carefully. Refer hardware and furniture parts list for guidance. Be sure all parts are complete before assembling. Place all wooden furniture part on a clean and flat soft surface to prevent scratches. Refer steps provided as assembling guide.

PART LIST		
ITEM	DESCRIPTION	QTY
A	TABLE TOP	1 pc
B	TABLE LEG	4 pcs

HARDWARE LIST		
ITEM	DESCRIPTION	QTY
1	HEX NUT ϕ 5/16" X 1/2"	8 pcs
2	LOCK WASHER ϕ 5/16" X 1/2"	8 pcs
3	FLAT WASHER ϕ 5/16" X 1/2"	8 pcs
4	ALLEN KEY	1 pc



Assemble Table leg (B) to the corner block by using 1.2.3&4



NOTE: DO NOT TIGHTEN UNTILL COMPLETELY ASSEMBLE.