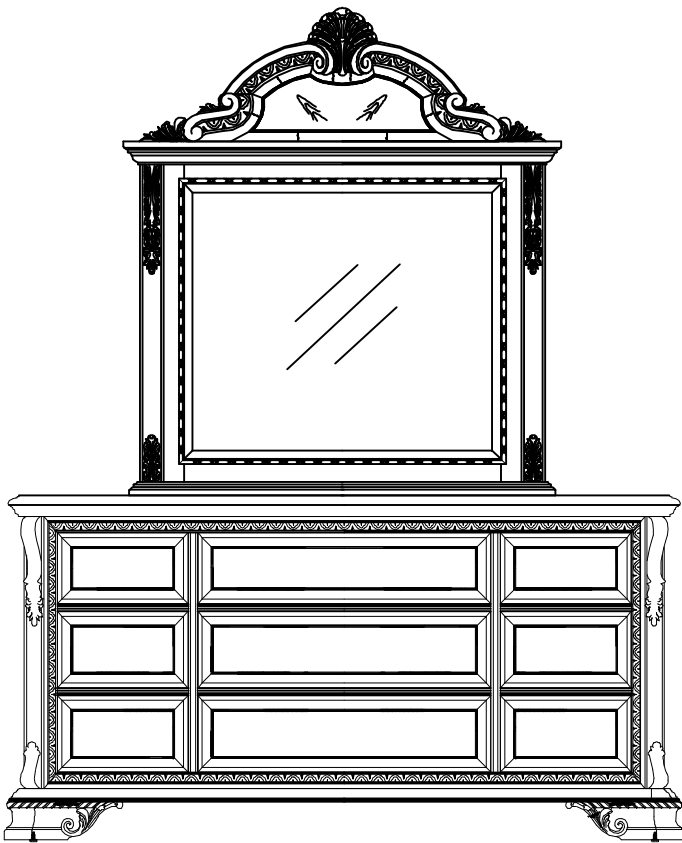


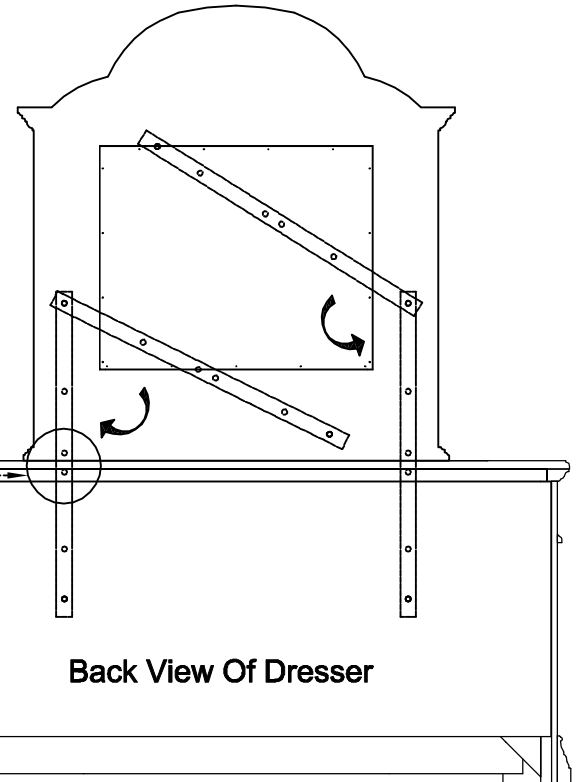
# ASSEMBLY INSTRUCTION

Thank you for purchasing this quality product. Be sure to check all packing material carefully for small parts, which may have come loose inside the carton during shipment. Identify and count all parts and compare with the Parts List below.

Front View Of Dresser

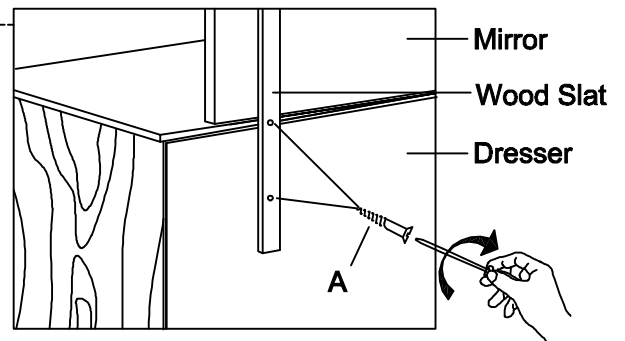


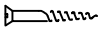
Adjustable Leveler



Back View Of Dresser

Diagram A



NO.	Parts List	Q'ty
A	 Screw	12

It is suggested that at least two people work together to attach the mirror to the dresser with TWO supplied wood slats, as shown in Diagram A .