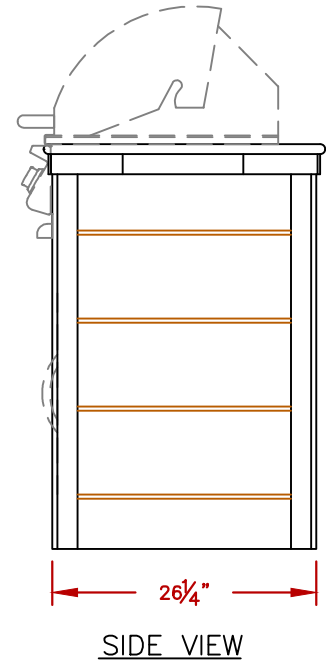
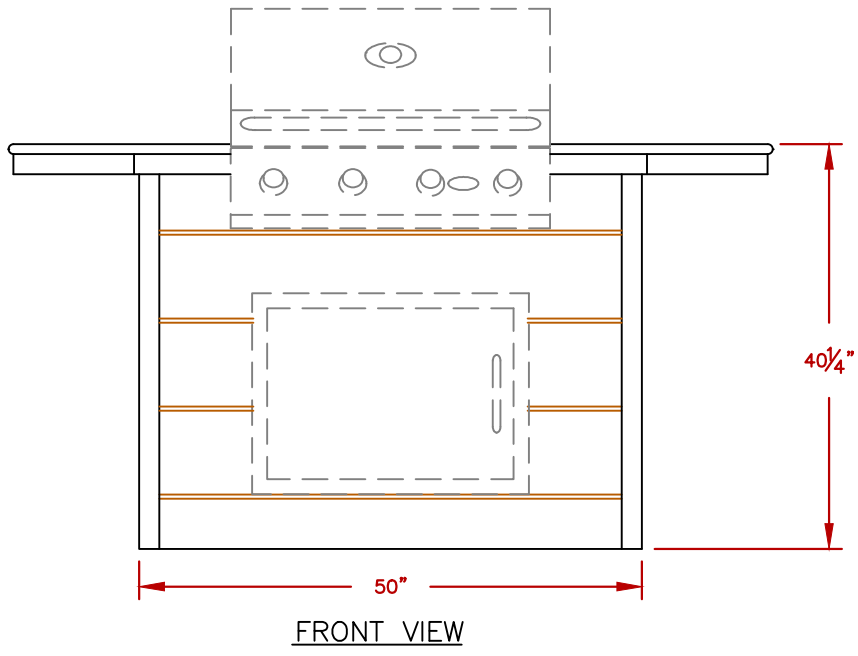
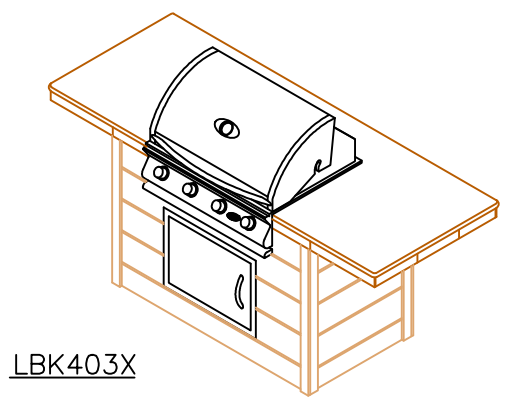
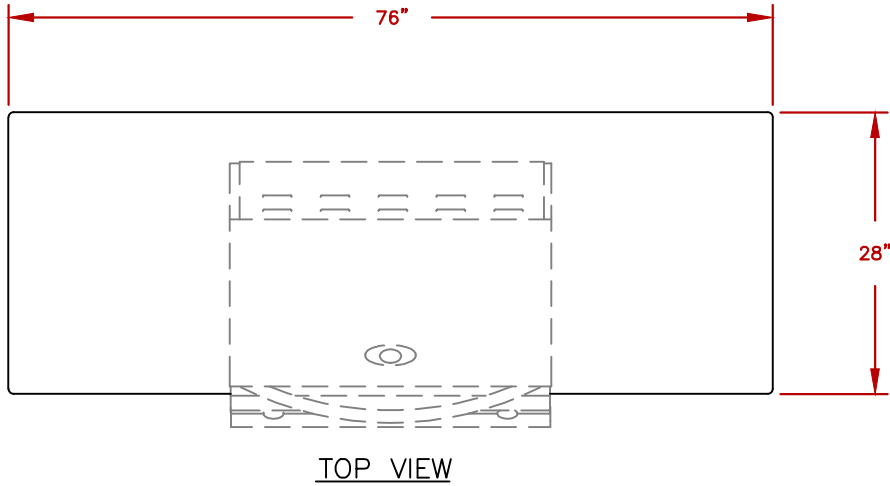


LINE	BBQ LINE
MODEL	LBK403X
REF.	



STANDARD FEATURES		
QTY.	SYMB.	DESCRIPTION
-	(A)	PORCELAIN TILE 12 X 12 (BORDER)
-	(B)	GRANITE COUNTER TOP
1	(D)	4 BURNER G4 LP
1	(F)	27" ACCESS DOOR

NOTE:
DUE TO OUR CONTINUOUS IMPROVEMENT PROGRAM, ALL MODELS
AND SPECIFICATIONS ARE SUBJECT TO CHANGE WITHOUT NOTICE.

	TITLE	
	2021 BARBECUE LINE LBK SERIES LBK403X	
SCALE:	DWG NO.	DWG BY
NTS	A	M ORTEGA
REVISED	REV. DESCR.	DATE
		9/8/2021