


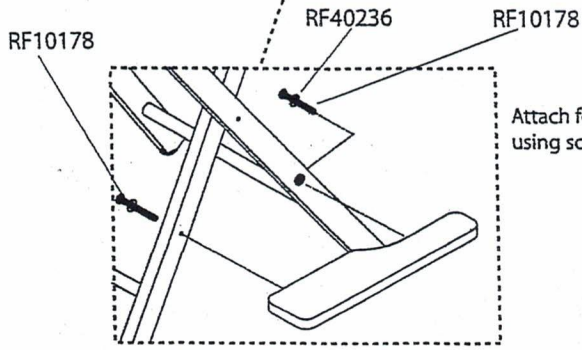


**Complete unit setup.**

PART	PARTS	Qty
A	 Foot rest	1

PART	PARTS	Qty
RF10178	 SCREW M6x50 mm.	2
RF40236	 washer	2



Attach foot rest to both legs using screw as show.