

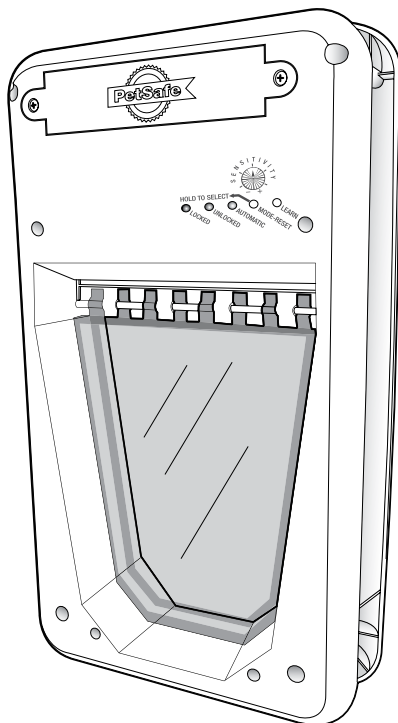


protect. teach. love.™

# ELECTRONIC SmartDoor™

## Operating Guide Guide d'emploi Guía para el uso

**Please read this entire guide before installing.  
Veuillez lire tout ce manuel avant de commencer.  
Por favor, lea completamente esta guía antes de comenzar.**



Model Numbers: PPA11-10711 Small, PPA11-10709 Large  
Numéros de modèles : Petit PPA11-10711, Grand PPA11-10709  
Números de modelo: PPA11-10711 Pequeño, PPA11-10709 Grande

# Important Safety Information

## Explanation of Attention Words and Symbols used in this guide



This is the safety alert symbol. It is used to alert you to potential personal injury hazards. Obey all safety messages that follow this symbol to avoid possible injury or death.

### **⚠ WARNING**

**WARNING** indicates a hazardous situation which, if not avoided, could result in death or serious injury.

### **⚠ CAUTION**

**CAUTION**, used with the safety alert symbol, indicates a hazardous situation which, if not avoided, could result in minor or moderate injury.

### **CAUTION**

**CAUTION**, used without the safety alert symbol, indicates a hazardous situation which, if not avoided, could result in harm to your pet.

### **NOTICE**

**NOTICE** is used to address safe use practices not related to personal injury.

---

### **⚠ WARNING**

- When children are present in the home, it is important to consider the pet door during child proofing activities. The pet door may be misused by a child resulting in the child accessing potential hazards that may be on the other side of the pet door. Purchasers/Homeowners with swimming pools should ensure that the pet door is monitored at all times and that the swimming pool has adequate barriers to entry. If a new hazard is created inside or outside of your home, which may be accessed through the pet door, Radio Systems Corporation recommends that you properly guard access to the hazard or remove the pet door. The closing panel or lock, if applicable, is provided for aesthetic and energy efficiency purposes and is not intended as a security device. Radio Systems Corporation will not be liable for unintended use and the purchaser of this product accepts full responsibility for oversight of the opening it creates.
- Power Tools. Risk of severe injury; follow all safety instructions for your power tools. Be sure to always wear your safety goggles.
- There is a risk of explosion if a battery is replaced by an incorrect type. Do not short circuit, mix old and new batteries, dispose of in fire or expose to water. When batteries are stored or disposed, they must be protected from shorting. Dispose of used batteries properly.
- Button or Coin Cell Battery inside. Swallowed Lithium Batteries can cause internal chemical burns quickly (within 2 hours) and can lead to death. Dispose of used batteries immediately. Keep ALL batteries away from children. If swallowed, seek immediate medical attention.

### **⚠ CAUTION**

The user, prior to installation, must become familiar with all building codes that may affect the installation of the pet door and determine, along with a licensed contractor, its suitability in a given installation. This pet door is not a fire door. It is important for the owner and contractor to consider any risks that may be present inside or outside of the pet door, and any risks that may be created by subsequent changes to your property and how they may relate to the existence and use, including misuse of the pet door.

### **CAUTION**

During pet training, while pet door is in UNLOCKED Mode, make sure to GENTLY lower flap onto pet's back. Also avoid possible injury by making sure your pet is entirely through the pet door opening, including paws and tails, before completely releasing flap.

### **NOTICE**

- Keep these instructions with important papers; be sure to transfer these instructions to the new owner of the property.
- Unauthorized changes or modifications may void the user's authority to operate this equipment, and void the warranty.

Thank you for choosing the PetSafe® brand. You and your pet deserve a companionship that includes memorable moments and a shared understanding together. Our products and training tools promote a lifestyle of protection, teaching, and love—essentials that influence memories for a lifetime. If you have any questions about our products or training your pet, please visit our website at [www.petsafe.com](http://www.petsafe.com) or contact our Customer Care Center.

## PRODUCT WARRANTY

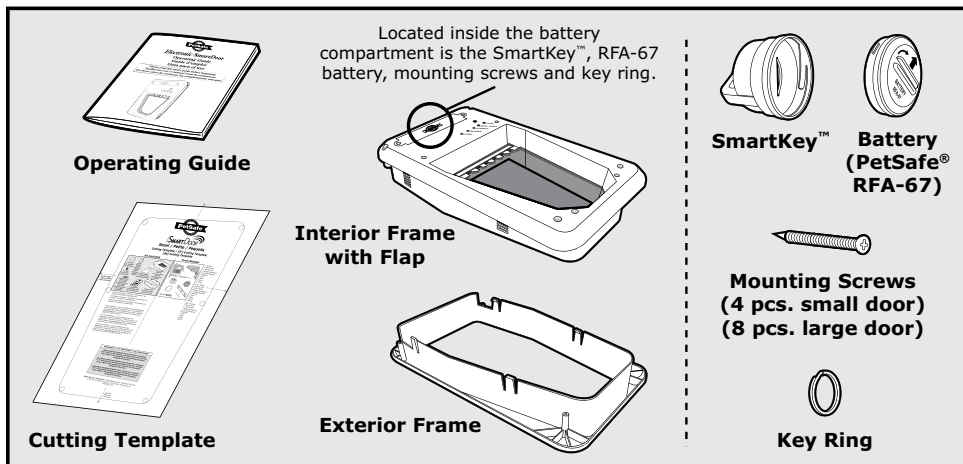
To get the most protection out of your warranty, please register your product within 30 days at [www.petsafe.com](http://www.petsafe.com). By registering and keeping your receipt, you will enjoy the product's full warranty and should you ever need to call the Customer Care Center, we will be able to help you faster. Most importantly, PetSafe® brand will never give or sell your valuable information to anyone. Complete warranty information is available online at [www.petsafe.com](http://www.petsafe.com).

---

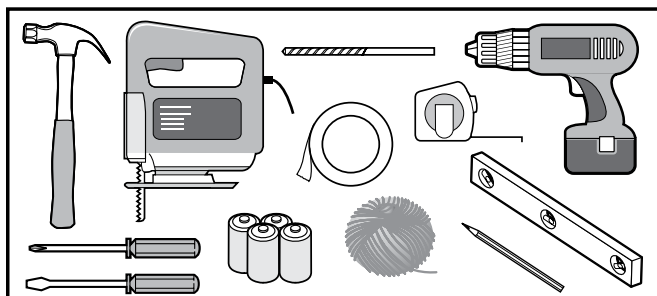
# Table of Contents

Components .....	4
Tools Needed .....	4
How the SmartDoor™ Works .....	4
Install the SmartDoor™ Through a Wall with the SmartDoor™ Conversion Kit.....	4
Key Definitions.....	4
<b>PREPARE</b>	
A. Place Batteries in SmartDoor™ .....	5
B. Place Battery in SmartKey™ .....	6
C. Check Operational Mode Before Installation .....	6
D. Check SmartDoor™ Location Before Installation .....	7
<b>INSTALL</b>	
Installing your SmartDoor™ .....	7
<b>SET</b>	
A. Setting SmartDoor™'s Sensitivity Level .....	10
B. Understanding Sensitivity and the Active Area.....	10
C. Programming a New SmartKey™ .....	11
D. Attaching SmartKey™ to Collar.....	11
<b>OPERATE</b>	
Operating Your SmartDoor™ .....	11
Troubleshooting Chart .....	11
Revert SmartKey™ to Factory Default Settings.....	12
Clear SmartKey™ Memory .....	12
Replacement Parts and Accessories .....	12
Customer Care - International .....	12
Terms of Use and Limitation of Liability.....	13
Perchlorate Battery .....	13
Important Recycling Advice.....	13
Battery Disposal .....	13
Compliance.....	13
<b>Français</b> .....	<b>15</b>
<b>Español</b> .....	<b>29</b>

# Components



## Tools Needed



- Jigsaw or Keyhole Saw
- Electric Drill
- 3/8" (10 mm) Drill Bit
- Phillips Screwdriver
- 4 D-Cell (LR20) Batteries (required)
- Level
- Tape
- Pencil
- String

## How the SmartDoor™ Works

Using radio-frequency technology, the SmartDoor™ reads a SmartKey™'s unique signal and triggers a battery power-driven flap to unlock so your pets can come and go as they please. When the SmartDoor™ no longer senses your pets' SmartKey™, the flap automatically locks back into place. The SmartDoor™ can detect up to five programmed SmartKeys™ and also operates in two other modes: fully locked mode and unlocked mode.

## Install the SmartDoor™ Through a Wall with the SmartDoor™ Conversion Kit

SmartDoor™ Conversion Kits are available for wall installation applications. The wall extension conversion kit frames out exposed areas, giving your door installation a clean, smooth, finished look. For brick, concrete or block wall construction an additional extension is available for the large conversion kit. *Note: The SmartDoor™ Conversion Kit Small is designed to be recessed into the brick and does not require additional tunnel extensions.* You may purchase a SmartDoor™ Conversion Kit or large extensions through selected online websites, [www.petsafe.com](http://www.petsafe.com) or by calling our Customer Care Center. See "Replacement Parts" on page 12.

## Key Definitions

**Radio-Frequency Technology** – The use of a radio-frequency signal that can be transmitted without wires.

**SmartKey™** – A SmartKey™ is a battery-operated transmitter that sends a unique code to the SmartDoor™.

**SmartDoor™** – The SmartDoor™ is an intelligent receiver using an internal antenna™ to pick up a unique SmartKey™ code for selective pet entry and exit.

**SmartDoor™ Flap** – The SmartDoor™ flap is a weather resistant, plastic flap with UV sun protection.

**Antenna** - The antenna is located inside the SmartDoor™ and receives radio signals from the SmartKey™. The SmartKey™ must be located within a certain proximity of the antenna in order for the unique code to be read.

**Radio-frequency Interference** – Radio-frequency interference is due to radio-frequency signals from other household appliances or common electronic products that negatively affect the ability of the SmartDoor™ to receive a signal from a SmartKey™. Radio-frequency interference or “noise” can come from a variety of sources. Interference can be minimal, constant or ever changing based on usage and closeness of other electronic household items during SmartDoor™’s operation. It is recommended that household appliances and common electronic products be placed at least two feet (60 cm) away from the SmartDoor™’s location.

**Sensitivity Knob** – Conveniently placed on the interior frame of the SmartDoor™ is the sensitivity knob. You can easily adjust the SmartDoor™’s sensitivity, taking into account common interferences and environmental factors to optimize SmartDoor™ operation.

**Sensitivity Level** – The level of sensitivity can be adjusted by turning the sensitivity knob from minimum to maximum, depending on radio-frequency interference and the SmartDoor™’s application and/or location. Pre-set from the factory, the sensitivity level should not be adjusted until after installation. For example, the sensitivity level may need to be increased if the SmartDoor™ is installed in a metal door. Reference page 10 for more information on how to adjust sensitivity.

**MODE-RESET Button** – Easily select an Operational Mode on your SmartDoor™ by holding the MODE-RESET button to cycle through selections of operation: LOCKED, UNLOCKED or AUTOMATIC.

**LEARN Button** – The LEARN button programs a SmartKey™’s unique code to be read by the SmartDoor™. (One) SmartKey™ comes programmed and ready to use. You may program up to five SmartKeys™ (each sold separately) to one SmartDoor™.

### **Operational Modes**

**LOCKED Mode** – The SmartDoor™ flap is locked and does not allow entry or exit for any pet.

**UNLOCKED Mode** – The SmartDoor™ flap is unlocked and allows entry and exit for all pets.

**AUTOMATIC Mode** – The SmartDoor™ flap is electronically locked and allows entry and exit for the pet wearing a programmed SmartKey™.

**Battery Compartment** – The battery compartment is located on the Interior Frame and requires (four) D-cell (LR20) batteries. Installation mounting screws, key ring, SmartKey™ and the (one) RFA-67 battery are all located inside the battery box during shipping for your convenience.

**RFA-67 Battery** – The RFA-67 battery powers the SmartKey™ and is replaceable. Additional RFA-67 batteries are available at retailers, or by calling PetSafe® Customer Care Center or visiting [www.petsafe.com](http://www.petsafe.com). Typical life of the RFA-67 is approximately six months.

- ▮ **Outer Frame Size** – Overall pet door dimensions
- ▮ **Cut-out Size** – Opening cut in homeowner’s door for proper fit and pet door installation
- ▮ **Replacement Flap Size** – Overall flap size when removed from pet door
- ▮ **Flap Opening Size** – Usable flap space for pet to enter and exit through the pet door
- ▮ **Interior Frame** – Pet door frame on the inside of home
- ▮ **Exterior Frame** – Pet door frame on the outside of home

## ***PREPARE***

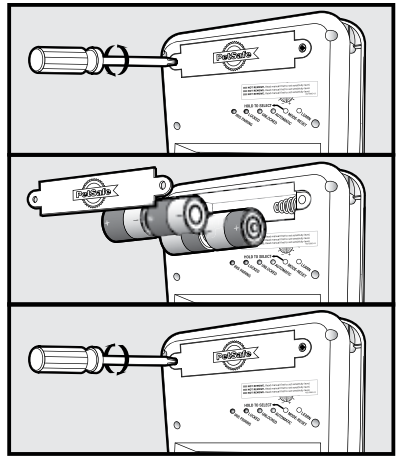
### **Preparing Your SmartDoor™**

**DO NOT PROCEED WITH CUT-OUT OR INSTALLATION UNTIL ALL STEPS A-D BELOW HAVE BEEN COMPLETED. DO NOT REMOVE SENSITIVITY STICKER UNTIL AFTER INSTALLATION.**

## A. Place Batteries in the SmartDoor™

1. With a Phillips screwdriver, remove the two Battery Compartment Cover screws.
2. Remove the Battery Compartment Cover.
3. Refer to the inside of the Battery Compartment Cover for the proper orientation of the four D-Cell (LR20) batteries.
4. Replace the Battery Compartment Cover and re-install the two screws.
5. When the batteries are placed in the Electronic SmartDoor™ the red light will illuminate for two seconds and the flap will move into the locked position, unless the flap is already in the locked position.

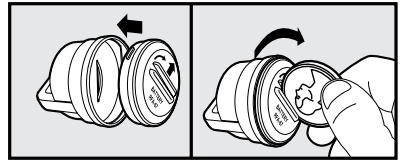
**NOTE:** The door must be in the upright position for the flap to center properly and operate correctly.



## B. Place Battery in the SmartKey™

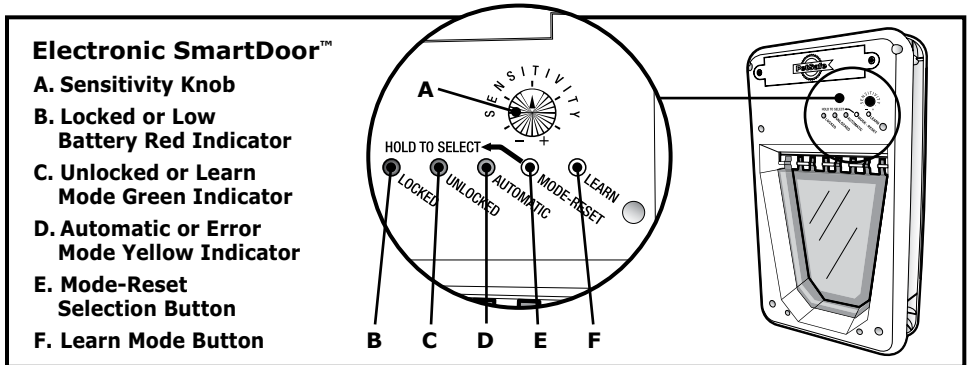
1. Place the PetSafe® RFA-67 battery into the bottom of the SmartKey™.
2. Using a coin, rotate one-quarter turn clockwise to secure the PetSafe® RFA-67 battery.

**NOTE:** The SmartKey™ has a red light that will flash when the PetSafe® RFA-67 battery is low; the battery should be replaced as soon as possible.



## C. Check Operational Modes Before Installation

### Operational Indicators



- To check if operational settings are working properly, hold down the MODE-RESET button until each operational mode has cycled through once to allow red, green and yellow lights to illuminate one at a time.

### Operational Modes

**LOCKED MODE** – Does not allow entry or exit for any pet. The SmartDoor™ ships from the factory in LOCKED MODE and when batteries are placed in the SmartDoor™, it will enter LOCKED MODE. *To set:* hold the MODE-RESET button until red light illuminates and release when selected.

**UNLOCKED MODE** – Allows entry and exit for all pets. *To set:* hold the MODE-RESET button until the green light illuminates and release when selected.

**AUTOMATIC MODE** – Allows entry and exit for a pet wearing a programmed SmartKey™. To set: hold the MODE-RESET button until the yellow light illuminates and release when selected. Five SmartKeys™ can be programmed to one SmartDoor™ for selective entry and exit during AUTOMATIC MODE.

**NOTE:** If at any time the red light remains illuminated, replace with a set of fresh batteries. If that does not reset the red light, please call our Customer Care Center for additional help.

If any part of step C was unsuccessful, please call our Customer Care Center for additional help.

## D. Check SmartDoor™ Location Before Installation

### **DO NOT REMOVE SENSITIVITY STICKER BEFORE INSTALLING THE SMARTDOOR™.**

Prior to installation, it is recommended to check that the SmartDoor™ will operate properly in the intended location or application to guard against possible severe radio-frequency interference. Household appliances and common electronic products should be located at least two feet (60 cm) away from the SmartDoor™'s location. Radio-frequency interference detected from other household appliances or common electronic products will negatively affect the ability of the SmartDoor™ to receive a SmartKey™ signal. Typical appliances and products to consider are laptop computers, wireless telephones, microwaves, televisions, garage door openers, hand-held electronic devices (such as cell phones, game stations and remote controls).

The sticker placed over the sensitivity knob should not be removed until after installation, as the factory default sensitivity setting is positioned at the optimal level for most installations.

It is recommended to install SmartDoor™ in a location where direct wind is not a factor. Operating Temperature Range: -5° F to 180° F (-20.5° C to 82° C). Operating Humidity Range: 0 to 99.9%.

- To check if SmartDoor™'s radio-frequency technology will operate properly in desired location and application, place SmartDoor™ directly in front of and against the door or application in the upright position. After performing steps A-C, now set the SmartDoor™ in AUTOMATIC mode and hold the SmartKey™ directly in front of the SmartDoor™. The SmartDoor™ flap should unlock in about three seconds. Remember, the SmartKey™ included in the kit is already programmed to the SmartDoor™.

**NOTE:** If there are existing SmartKeys™ in the household, remove all (RFA-67) batteries while performing step D except the SmartKey™ included with the SmartDoor™.

If the SmartDoor™ does not unlock, move the SmartDoor™ to another location and follow steps A-D once more. If the SmartDoor™'s location test above was unsuccessful, please call our Customer Care Center for additional help.

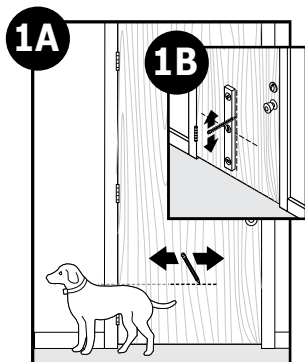
When steps A-D are completed and all are successful, your SmartDoor™ is ready for installation.

## **INSTALL**

### Installing Your SmartDoor™

Step  
**1**

#### Determine Pet Door Location



**1A** Measure and mark your pet's shoulder height on the door.

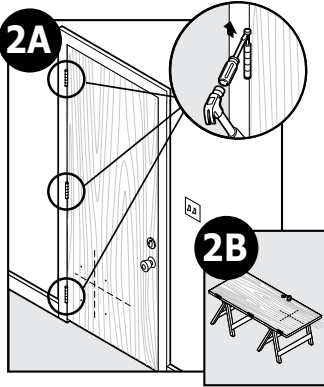
**1B** Determine location for the pet door. Draw a vertical center line through the shoulder height line using a level.

#### **NOTICE**

If homeowner's door or other application is not level, the pet door must be marked level to swing properly.

## Step 2 Preparing Door

# 2

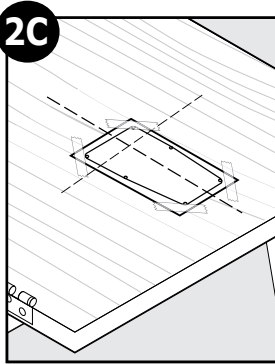


**2A** Remove door from hinges.

**2B** Place on a raised level surface such as saw horses.

**Helpful Tip:** Clamp or weigh down the door to prevent it from moving.

**NOTE:** The pet door can be installed with the door hanging based on your skill level.



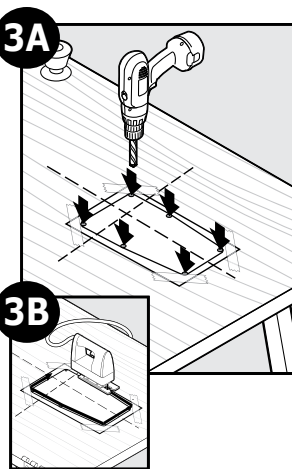
**2C** Match the marked lines on the door with the shoulder and center lines on the template. Tape the template in place.

### NOTICE

When applying the template there should be a minimum of 3" (7.6 cm) between the bottom and sides of the door and the outer edge of the template to maintain the structural integrity of the door.

## Step 3 Cut Pet Door Opening

# 3



**3A** Leave template on and drill  $\frac{3}{8}$ " (10 mm) holes in the inside corners of template. These will be the pilot holes for the saw blade.

**Helpful Tip:** Use both hands to hold drill steady and straight at a 90° angle.

**3B** Beginning in one of the holes you just drilled, cut along the template lines. After cutting out the opening, remove excess template. You may need to recut to square the opening. This is necessary for the pet door frame to fit correctly.

**Helpful Tip:** Use a proper saw blade according to door material (for example a wood blade for wood door and metal blade for a metal door). When cutting use both hands to hold the saw slow, steady and straight at a 90° angle. This will prevent the blade from cutting unevenly between interior and exterior areas of door.

### NOTICE

Make sure there is nothing underneath the door where you will be drilling the holes or cutting out opening.

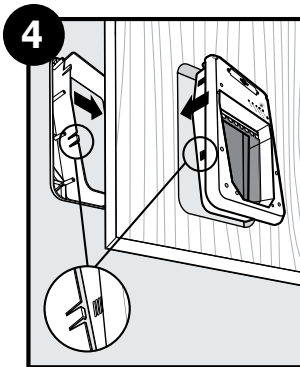


## Step 4 Install Pet Door

# 4

**Fit** ✓

**Check** Before putting away the jigsaw, place the interior frame (frame with the flap) inside the cut out and check the fit. Then, place the exterior frame into the underside of the door to check the fit. If frames do not fit inside the opening, you may need to recut to square opening before proceeding with installation.

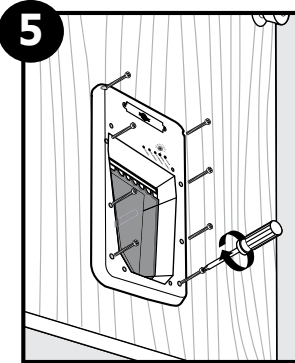


**4** Re-hang door and place interior frame with flap inside cut-out of interior door. Place exterior frame on exterior of door and press firmly against interior frame and exterior frame with both hands. Continue to press while moving hands from bottom to top of frames until alignment tabs connect and both frames are firmly in place.

**Helpful Tip:** Use painters' tape across SmartDoor™'s interior frame and door to keep in place while positioning the exterior frame.

## Step 5 Insert Screws

# 5



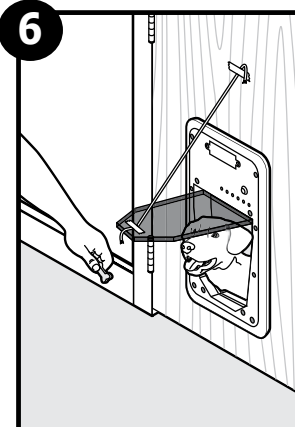
**5** Thread mounting screws through interior frame and align with exterior frame. Tighten with screwdriver. **DO NOT OVERTIGHTEN.**

**Helpful Tip:** If using an electric screwdriver, set on low torque.

**NOTE:** Small SmartDoor™ has four screw placement holes and Large SmartDoor™ has eight screw placement holes.

## Step 6 Train Your Pet

# 6



**6** Tape the flap open to help your pet become familiar with the pet door opening. When your pet is more comfortable let the flap down and operate the SmartDoor™ in UNLOCKED Mode encouraging your pet to push through the flap. Once your pet is comfortable entering and exiting through the closed flap, set SmartDoor™ to AUTOMATIC SmartKey™. Walk your pet up to the SmartDoor™ until the SmartKey™ is detected and flap unlocks. Repeat training your pet to walk up to SmartDoor™ and push open flap to the other side.

**Helpful Tip:** Try treats to encourage your pet to push through the SmartDoor™ flap.

**NOTE:** The SmartDoor™ is designed with an electric motor to release and unlock flap when a SmartKey™ is detected. Do not allow your pet to run or charge through the SmartDoor™. Due to variable radio-frequency interferences it could take several seconds for SmartKey™'s unique code to read properly and SmartDoor™'s flap to unlock.

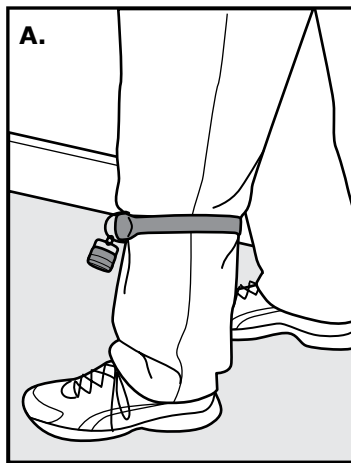
## SET

### A. Setting SmartDoor™'s Sensitivity Level

It is necessary to set your SmartDoor™'s sensitivity level so your pet's SmartKey™ works properly due to location or application material, such as radio-frequency interferences, wood or metal door installations.

To begin, it is recommended to use the split ring (included) to attach the SmartKey™ to the D-ring on your pet's collar. Also do not use metal tags as the additional metal can cause radio-frequency interference and hinder the detection of your pet's SmartKey™. Now, continue with the following "product in use" steps:

1. Put the dog's collar on your leg just below your knee. Tape may be used to secure the collar, if necessary. **See A.**
2. Stand directly in front of the SmartDoor™ so the SmartKey™ is approximately 2.5 feet (76 cm) from the SmartDoor™.
3. Put the SmartDoor™ in the UNLOCKED Mode. (See page 6 for operational instructions).
4. Put the SmartDoor™ in the Sensitivity Test Mode by holding down the MODE-RESET and LEARN buttons at the same time until all three lights flash once.
5. Turn the Sensitivity Knob counter clockwise to the minimum position, then turn the Sensitivity Knob clockwise until all lights begin to flash again.
6. Slowly continue to adjust the Sensitivity Knob clockwise until you see a minimum of six consecutive flashes and stop adjusting. Do not adjust higher than necessary.
7. Put the SmartDoor™ in AUTOMATIC Mode and step away at least 10 feet (3 m), allowing the door to automatically lock. This may take up to fifteen seconds after the SmartKey™ no longer is detected.
8. Now confirm the sensitivity level by approaching the SmartDoor™ again. The door should unlock when you step within approximately 2 feet (60 cm) in front of the SmartDoor™.



### B. Understanding Sensitivity and the Active Area

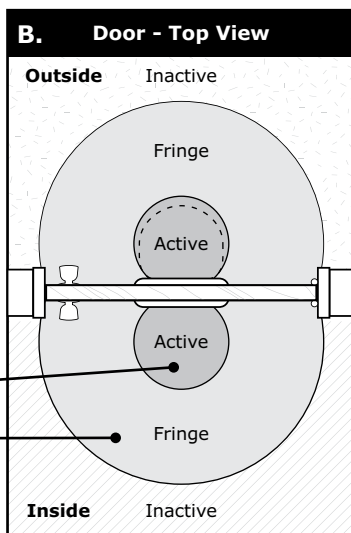
The Active Area is the area where the SmartDoor™ will consistently open based on your adjustment of the sensitivity level. In the Fringe Area the SmartDoor™ may open inconsistently due to variables of radio-frequency interferences or reflections. In the Inactive Area the door will generally not unlock automatically. **See B.**

You may see slight differences between Outside and Inside Active Areas due to radio-frequency interferences.

**Depending on location and application**

~ 2.5 feet (76 cm)

~ 6 feet (183 cm)

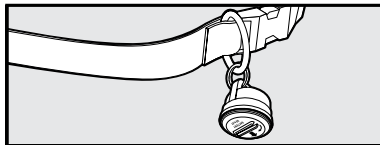


## C. Programming a New SmartKey™

To reduce error while programming, remove the RFA-67 battery from all programmed SmartKeys™ except the one you are programming. Press and hold the LEARN button until the green light illuminates and begins to flash, now release the button. Bring the SmartKey™ directly below the green light and the light will stop flashing and illuminate for two seconds. Now your new SmartKey™ has been programmed and added to memory. Up to five different SmartKeys™ can be added, one at a time.

## D. Attach the SmartKey™ to the Pet's Collar

A split key ring has been provided to attach to your pet's collar and should hang under the pet's neck.



The SmartDoor™ includes (one) SmartKey™ which comes pre-programmed and ready to use.

## ***OPERATE***

### Operating Your SmartDoor™

**LOCKED MODE** – Does not allow entry or exit for any pet. The SmartDoor™ ships from the factory in LOCKED MODE and when batteries are placed in the SmartDoor™, it will enter LOCKED MODE. To set: hold the MODE-RESET button until the red light illuminates and release when selected.

**UNLOCKED MODE** – Allows entry and exit for all pets. To set: hold the MODE-RESET button until the green light illuminates and release when selected.

**AUTOMATIC MODE** – Allows entry and exit for a pet wearing a programmed SmartKey™; up to five SmartKeys™ can be programmed into one SmartDoor™ for selective entry and exit during automatic mode. To set: hold the MODE-RESET button until the yellow light illuminates and release when selected.

**NOTE:** If at any time the red light remains illuminated, replace with a set of fresh batteries. If that does not reset the red light, please call our Customer Care Center for additional help.

Illuminating Color	Condition	Pet Door Status
RED	Solid only for two seconds after selecting LOCKED Mode	LOCKED Mode
	Flashing	Low battery alert
	Constant solid	Internal failure has occurred
GREEN	Solid only for two seconds after selecting UNLOCKED Mode	UNLOCKED Mode
	Flashing	Learn Mode
YELLOW	Solid only for two seconds after selecting AUTOMATIC Mode	AUTOMATIC Mode
	Flashing	Error alert
RED, GREEN AND YELLOW	Flashing at the same time	Sensitivity Test Mode

## Troubleshooting

SmartDoor™ does not respond to the presence of the SmartKey™ when my pet is directly in front of the SmartDoor™ within three seconds

- Check that the SmartDoor™ is in AUTOMATIC Mode.
- Check that the SmartKey™ has been programmed to the SmartDoor™.
- Check sensitivity level has been properly set, see page 10.
- Check that the RFA-67 battery in the SmartKey™ is screwed in tightly.
- Check that the batteries in the SmartDoor™ are fresh.
- If the condition persists, check that there are no radio-frequency transmitting devices or electronic devices that radiate electrical energy, which may interfere with the operation of the SmartDoor™.

Yellow light is flashing	<ul style="list-style-type: none"> <li>• Obstruction to the flap has been detected.</li> <li>• Press the MODE-RESET button to cause the SmartDoor™ to attempt to lock the flap. Clear any obstructions that keep the flap from locking. When the flap successfully locks, normal operation is resumed.</li> <li>• If your large SmartDoor™ does not close properly, you can purchase an additional magnet kit to help center flap due to constant wind or a variance between indoor and outdoor pressure. Please call the Customer Care Center for further assistance.</li> </ul>
Red light remains illuminated (internal failure has occurred)	<ul style="list-style-type: none"> <li>• Remove batteries and replace them with a fresh set of batteries. If that does not reset the red light, please call Customer Care Center at 1-800-732-2677 for additional help.</li> </ul>
Red light is flashing	<ul style="list-style-type: none"> <li>• Low battery indicator, replace batteries.</li> </ul>
Red, green and yellow lights are flashing	<ul style="list-style-type: none"> <li>• Sensitivity set mode has been activated. It will automatically de-activate in thirty minutes, or can be immediately de-activated by pressing the MODE-RESET button once.</li> </ul>

## Revert SmartKey™ to Default Factory Setting

The SmartDoor™ can be cleared of all additional programmed SmartKey™ EXCEPT the one included from the factory. To do this, first take out batteries from battery compartment. Then, as you place batteries back into the battery compartment, hold down the LEARN button. When LEARN button is held and the last battery is in place, the red and green lights will illuminate three times. Now, all SmartKeys™ programmed to the SmartDoor™ have been cleared except the one SmartKey™ included with your SmartDoor™.

## Clear SmartKey™ Memory

The SmartDoor™ can be cleared of all programmed SmartKeys™, even the one included from the factory. To do this, first remove batteries from battery compartment. Then, as you place batteries back into the battery compartment, hold down the MODE-RESET button. When MODE-RESET button is held and the last battery is in place, the red and yellow lights will illuminate three times. Now all SmartKeys™ have been cleared.

## Replacement Parts and Accessories

To purchase replacement parts for your PetSafe® SmartDoor™, contact the **Customer Care Center at 1-800-732-2677** or visit our website at [www.petsafe.com](http://www.petsafe.com) to locate a retailer near you.

### Customer Care International

Canada: 1-800-732-2677

United Kingdom: 0800 046 1414

Europe: 00 800 18 18 20 20

Australia: 1800 786 608

New Zealand: 0800 543 054

Component	Part Number
SmartKey™	PAC11-11405
PetSafe® RFA-67 Battery	RFA-67
Small Replacement Flap	CPA11-11580/MPA00-12830
Large Replacement Flap	CPA11-11579/MPA00-12829
Small SmartDoor™ Hardware Kit	CPA00-11617/MPA00-12814
Large SmartDoor™ Hardware Kit	CPA00-11618/MPA00-12815
Small Wall Conversion Kit	MPA11-12019
Large Wall Conversion Kit	MPA11-12020
Large Extension Tunnel	CPA00-12021/MPA00-12820
Small Wall Conversion – Hardware Replacement Kit	CPA00-12054/MPA00-12821
Large Wall Conversion – Hardware Replacement Kit	CPA00-12055/MPA00-12822

This product has the benefit of a limited manufacturer's warranty. Details of the warranty applicable to this product and its terms can be found at [www.petsafe.com](http://www.petsafe.com) and/or are available by sending a stamped addressed envelope to PetSafe Ltd. Redthorn House, Unit 9, Chorley West Business Park, Ackhurst Road, Chorley, Lancashire PR7 1NL, United Kingdom.

---

## Terms of Use and Limitation of Liability

### 1. Terms of Use

This Product is offered to you conditioned upon your acceptance without modification of the terms, conditions and notices contained herein. Usage of this Product implies acceptance of all such terms, conditions, and notices.

### 2. Proper Use

This Product is designed for use with pets where training is desired. The specific temperament of your pet may not work with this Product. If you are unsure whether this is appropriate for your pet, please consult your veterinarian or certified trainer. Proper use includes reviewing the entire Operating Guide provided with your Product and any specific Caution statements.

### 3. No Unlawful or Prohibited Use

This Product is designed for use with pets only. This pet training device is not intended to harm, injure, or provoke. Using this Product in a way that is not intended could result in violation of Federal, State or local laws.

### 4. Limitation of Liability

In no event shall Radio Systems Corporation be liable for any direct, indirect, punitive, incidental, special or consequential damages, or any damages whatsoever arising out of or connected with the use or misuse of this Product. Buyer assumes all risks and liability from the use of this Product.

### 5. Modification of Terms and Conditions

Radio Systems Corporation reserves the right to change the terms, conditions and notices under which this Product is offered.

## Perchlorate Battery

Perchlorate Material – special handling may apply. See [www.dtsc.ca.gov/hazardouswaste/perchlorate](http://www.dtsc.ca.gov/hazardouswaste/perchlorate).



## — Important Recycling Advice

Please respect the Waste Electrical and Electronic Equipment regulations in your country. This equipment must be recycled. If you no longer require this equipment, do not place it in the normal municipal waste system. Please return it to where it was purchased in order that it can be placed in our recycling system. If this is not possible, please contact the Customer Care Center for further information.



## Battery Disposal

Separate collection of spent batteries is required in many regions; check the regulations in your area before discarding spent batteries.

### SmartDoor™:

This device operates on four Alkaline batteries of the type LR20/D-cell with a 1.5 Volt, 18,000 mAh capacity. Replace only with the equivalent batteries.

### SmartKey™:

This device operates on two Lithium batteries of the type CR2032 with a 3 Volt, 220 mAh capacity. Replace only with equivalent battery available from the Customer Care Center.

Please see page 6 for instructions on how to remove the batteries from these products for separate disposal.

---

## Compliance

### FCC/IC

This Class B digital apparatus complies with Canadian ICES-003. This equipment has been tested and found to comply with the limits for a Class B digital device, pursuant to Part 15 of the FCC Rules. These limits are designed to provide reasonable protection against harmful interference when the equipment is operated in a residential environment. This equipment generates, uses, and can radiate radio frequency energy and, if not installed and used in accordance with the

instruction guide, may cause harmful interference to radio communications. However, there is no guarantee that interference will not occur in a practical installation. If this equipment causes harmful interference to radio or television reception, which can be determined by turning the equipment off and on, the user is encouraged to try to correct the interference by one or more of the following measures:

- Relocate the interfered receiving antenna.
- Increase the separation between the equipment and receiver.
- Connect the equipment into an outlet on a circuit different to that to which the receiver is connected.
- Contact the Customer Care Center.

This device complies with Industry Canada Rules. This device complies with part 15 of the FCC Rules. Operation is subject to the following two conditions: (1) This device may not cause harmful interference, and (2) this device must accept any interference received, including interference that may cause undesired operation.

Unauthorized changes or modifications to the equipment, not approved by Radio Systems Corporation, could result in not meeting compliance with FCC regulations and could void the user's authority to operate the equipment.



Radio Systems Corporation declares under its own responsibility, that the following product(s) is (are) in compliance with the essential requirements under article 3 of the RED (2014/53/EU) and the RoHS 2 Directive (EU) 2015/863. Unauthorised changes or modifications to the equipment that are not approved by Radio Systems Corporation may violate EU RED regulations, could void the user's authority to operate the equipment, and will void the warranty.

Hereby, Radio Systems Corporation, declares that this part is in compliance with the essential requirements and other relevant provisions. The Declaration of Conformity can be found at: [http://www.petsafe.com/customer-care/eu\\_docs.php](http://www.petsafe.com/customer-care/eu_docs.php).

### **Australia**

This device complies with the applicable EMC requirements specified by the ACMA (Australian Communications and Media Authority).

# Français **Importante information de sécurité**

## Explication des mots et symboles d'alerte utilisés dans ce guide



Voici un symbole d'alerte de sécurité. Il signifie un risque potentiel de blessures corporelles. Suivez tous les messages de sécurité suivant ce symbole pour éviter toutes blessures corporelles ou même la mort.

### **⚠ AVERTISSEMENT**

AVERTISSEMENT indique une situation dangereuse qui, si elle n'est pas évitée, pourrait résulter en des blessures sérieuses ou même la mort.

### **⚠ ATTENTION**

ATTENTION, utilisé avec un symbole d'alerte de sécurité, indique une situation dangereuse qui, si elle n'est pas évitée, pourrait entraîner des blessures légères à modérées.

### **ATTENTION**

ATTENTION, utilisé sans le symbole d'alerte de sécurité, indique une situation dangereuse qui, si elle n'est pas évitée, risque de causer des blessures à votre animal.

### **AVIS**

AVIS, indique les pratiques qui ne sont pas relatives aux blessures corporelles.

### **⚠ AVERTISSEMENT**

- Lorsque des enfants sont présents dans la maison, il est important de toujours surveiller la chatière pendant les activités de ceux-ci. La chatière pourrait être mal utilisée par un enfant, ce dernier pouvant alors faire face à des risques potentiels se situant de l'autre côté de la chatière. Les acheteurs et propriétaires possédant des piscines devraient s'assurer que la chatière est toujours surveillée et que la piscine est entourée d'une barrière adéquate y empêchant l'accès. Si un nouveau risque est créé à l'intérieur ou à l'extérieur de votre résidence, risque pouvant être accédé par la chatière, Radio Systems Corporation recommande de sécuriser l'accès à ce danger adéquatement ou de retirer la chatière. Le panneau de fermeture ou le verrou, si applicable, est fourni en un but esthétique et d'économie d'énergie et ne doit pas être utilisé comme un dispositif de sécurité. Radio Systems Corporation ne peut être tenu responsable d'intrusion involontaire et il est entendu que l'acheteur de ce produit accepte la totale responsabilité de la surveillance de l'ouverture qu'il créé ainsi.
- Outils électriques. Risques de blessures sérieuses; suivez toutes les instructions de sécurité de vos outils électriques. Portez toujours des lunettes de sécurité.
- Il existe un risque d'explosion si une pile est remplacée par un type de pile inapproprié. Ne court-circuitiez pas les piles, ne mélangez pas les anciennes avec les nouvelles, ne les jetez pas dans le feu ou ne les mettez pas en contact avec de l'eau. Quand les piles sont stockées ou éliminées, elles doivent être protégées contre les courts-circuits. Jetez les piles usagées de façon appropriée.
- Pile bouton à l'intérieur. Ingérer les piles au lithium peut provoquer des brûlures chimiques internes rapidement (dans les 2 heures) et peut entraîner la mort. Jetez les piles usagées immédiatement. Gardez TOUTES les piles hors de la portée des enfants. En cas d'ingestion, consultez immédiatement un médecin.

### **⚠ ATTENTION**

L'utilisateur, avant l'installation, doit être familier avec les codes de construction pouvant affecter l'installation de la chatière et déterminer, en conjonction un entrepreneur autorisé, la pertinence de son installation. Cette chatière n'est pas une sortie d'incendie. Il est important pour le propriétaire et l'entrepreneur de considérer tous les risques présents à l'intérieur comme à l'extérieur de la chatière, ainsi que tous les risques pouvant être créés suite à des changements effectués sur votre propriété et comment l'existence et l'utilisation de la chatière, y compris une mauvaise utilisation de celle-ci, peut représenter un danger.

### **ATTENTION**

Lors du dressage de votre animal, et lorsque la porte pour animaux est en mode DÉVERROUILLE, assurez-vous d'abaisser DÉLICATEMENT le rabat sur le dos de votre animal. Pour éviter de le blesser, veillez à ce que votre animal soit complètement passé à travers l'ouverture de la porte pour animaux, pattes et queue comprises, avant de relâcher complètement le rabat.

### **AVIS**

- Conservez ces instructions avec vos papiers importants; en cas de vente de votre propriété, assurez-vous de transférer ces instructions au nouveau propriétaire.
- Des changements ou modifications non-autorisées peuvent annuler l'autorité de l'utilisateur pour l'utilisation de cet équipement et rendre la garantie nulle.

Merci d'avoir choisi la marque PetSafe®. Vous et votre animal méritez une camaraderie qui comprend des moments mémorables et une franche compréhension. Nos produits et outils d'entraînement favorise un style de vie de protection, d'enseignement et d'amour - tous essentiels pour influencer de bons souvenirs pour la vie. Si vous avez des questions sur nos produits ou l'entraînement de votre animal, veuillez visiter notre site Internet au [www.petsafe.com](http://www.petsafe.com) ou contactez notre service à la clientèle.

## **GARANTIE DU PRODUIT**

Pour obtenir la protection maximale de votre garantie, veuillez enregistrer votre produit moins de 30 jours suivant l'achat au [www.petsafe.com](http://www.petsafe.com). En enregistrant votre produit moins de 30 jours après la date d'achat et en conservant votre reçu, vous bénéficierez d'une réponse plus rapide du service à la clientèle s'il advenait que vous deviez communiquer avec eux. Encore plus important, PetSafe® ne communiquera et ne vendra jamais vos informations personnelles à qui que se soit. Consultez l'information complète de la garantie au [www.petsafe.com](http://www.petsafe.com).

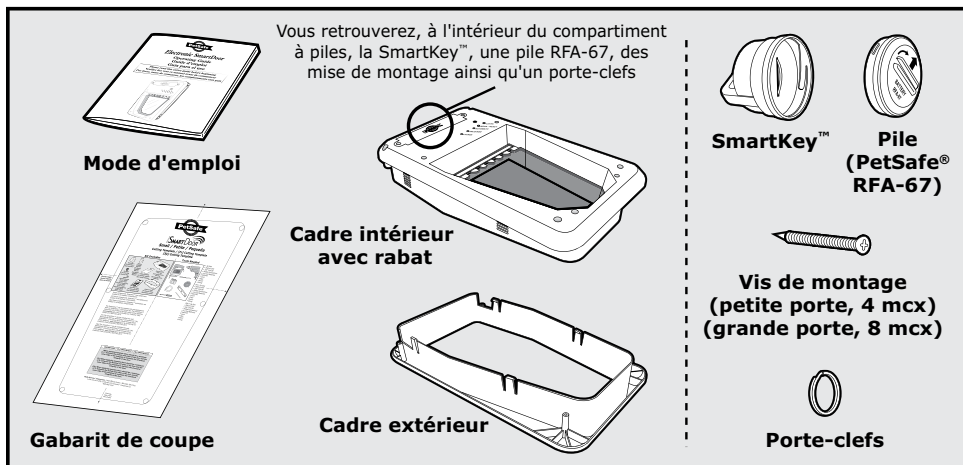
---

## **Table des matières**

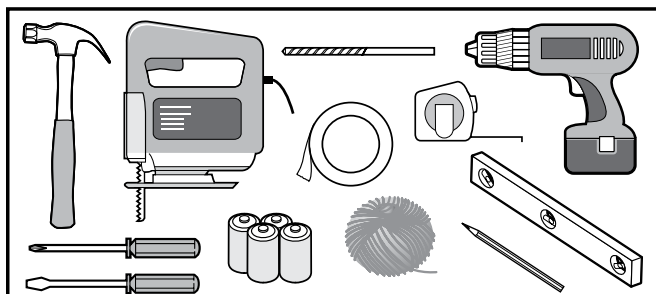
Composants.....	17
Outils requis .....	17
Comment fonctionne la SmartDoor™ .....	17
Installation de la SmartDoor™ dans un mur avec la trousse de conversion SmartDoor™ .....	17
Définitions clefs.....	18
<b>PRÉPARATION</b>	
A. Installez les piles dans la SmartDoor™ .....	19
B. Installez la pile dans la SmartKey™ .....	19
C. Vérifiez les différents modes de fonctionnement avant l'installation indicateurs de fonctionnement .....	19
D. Vérification l'endroit de la SmartDoor avant l'installation .....	20
<b>INSTALLATION</b>	
Installation de votre SmartDoor™ .....	21
<b>RÉGLAGE</b>	
A. Réglage du niveau de sensibilité de la SmartDoor™ .....	23
B. Compréhension la sensibilité et de la zone active .....	24
C. Programmation d'une nouvelle SmartKey™ .....	25
D. Fixer la SmartKey™ au collier de votre animal .....	25
<b>FONCTIONNEMENT</b>	
Fonctionnement de votre SmartDoor™ .....	25
Schéma de dépannage .....	26
Régler la SmartKey™ aux réglages par défaut.....	26
Effacer la mémoire SmartKey™ .....	26
Pièces de remplacement et accessoires.....	26
Service à la clientèle International .....	27
Conditions d'utilisation et limitation de responsabilité .....	27
Pile perchlorate .....	27
Avis de recyclage importante .....	28
Mise au rebut de pile.....	28
Conformité .....	28



# Composants



## Outils nécessaires



- Scie sauteuse et scie passe-partout
- Perceuse électrique
- Mèches de 10 mm (3/8 po)
- Tournevis Phillips
- 4 piles D (LR20) (requises)
- Niveau
- Ruban à mesurer
- Crayon
- Corde

## Comment fonctionne la SmartDoor™

À l'aide de technologie radiofréquences, la SmartDoor™ lit le signal unique de la SmartKey™ et déclenche l'alimentation de la pile conçue pour déverrouiller le rabat afin que votre animal de compagnie puisse entrer et sortir comme il le veut. Lorsque la SmartDoor™ ne détecte plus la SmartKey™ de votre animal, le volet se verrouillera automatiquement en place. La SmartDoor™ peut détecter jusqu'à cinq SmartKey™ programmées et fonctionne en deux modes différents : mode complètement verrouillé et mode déverrouillé.

## Installation de la SmartDoor™ dans un mur avec la trousse de conversion SmartDoor™

Les trousse de conversion SmartDoor™ sont disponibles pour des installations murales. Cette trousse de rallonge murale vous permet de faire ressortir les zones exposées, donnant ainsi à votre installation un fini franc et régulier. Pour les constructions en brique, en béton ou en blocs, une rallonge supplémentaire est disponible pour la grande trousse de conversion. *Remarque : la petite trousse de conversion SmartDoor™ est conçue pour s'encaster dans la brique; aucune rallonge supplémentaire n'est nécessaire.* Vous pouvez faire l'achat d'une trousse de conversion SmartDoor™ par l'entremise de l'un de nos sites Web au [www.petsafe.com](http://www.petsafe.com) ou en communiquant avec notre Service à la clientèle. Consultez la section « Pièces de remplacement » à la page 27.

# Définitions clefs

**Technologie radiofréquences** - L'utilisation d'un signal radiofréquence peut être transmis sans fils.

**SmartKey™** - Une SmartKey™ est un émetteur fonctionnant à pile qui envoie un code unique à la SmartDoor™.

**SmartDoor™** - La SmartDoor™ est un récepteur intelligent utilisant une antenne interne pour recevoir le code unique™ SmartKey contrôlant l'entrée et la sortie d'un animal en particulier.

**SmartDoor™ Rabat** - Le rabat de la SmartDoor™ est un rabat en plastique résistant aux intempéries et protégé contre les rayons UV du soleil.

**Antenne** - L'antenne est située à l'intérieur de la SmartDoor™ et reçoit les radio signaux de la SmartKey™. La SmartKey™ doit être située assez près de l'antenne afin que celle-ci puisse lire le code unique.

**Brouillage aux radiofréquences** - Le brouillage aux radiofréquences est dû à la provenance d'autres signaux radiofréquences provenant d'appareils domestiques ou de produits électroniques communs affectant négativement la capacité du SmartDoor™ à recevoir le signal provenant d'une SmartKey™. Le brouillage radiofréquences ou « bruit » peut provenir de différentes sources. Le brouillage peut être minime, constant ou constamment changeant selon l'utilisation et la proximité des autres appareils domestiques lorsque la SmartDoor™ est utilisée. Une distance de 60 cm (2 pi) est recommandée entre les appareils domestiques et produits électroniques et la SmartDoor™.

**Bouton de Sensitivity [sensibilité]** - Le bouton de sensibilité est installé de façon pratique à l'intérieur du cadre de la SmartDoor™. La sensibilité de la SmartDoor™ peut aisément être ajustée selon les interférences habituelles et les facteurs environnants, afin d'obtenir un fonctionnement optimal de la SmartDoor™.

**Niveau de sensibilité** - Le niveau de sensibilité peut être ajusté en tournant le bouton de sensibilité de minimum vers maximum, dépendamment du brouillage aux radiofréquences et l'application ou le lieu de la SmartDoor™. Réglez en usine, le bouton de sensibilité ne devrait pas être ajusté avant que l'installation ne soit terminée. Par exemple, le niveau de sensibilité pourrait devoir être augmenté si la SmartDoor™ est installée dans une porte métallique. Consultez la page 24 pour plus d'information sur la façon d'ajuster la sensibilité.

**Bouton MODE-RESET [MODE RÉINITIALISATION]** - Sélectionnez aisément le Mode opérationnel de votre SmartDoor™ en pressant le bouton MODE RÉINITIALISATION afin de naviguer dans les sélections de fonctionnement : VERROUILLÉ, DÉVERROUILLÉ ou AUTOMATIQUE.

**Bouton LEARN [APPRENDRE]** - Le bouton APPRENDRE programme une SmartKey™ avec un code unique afin qu'elle puisse être lue par la SmartDoor™. (Une) SmartKey™ arrive programmée et prête à l'emploi. Vous pouvez programmer jusqu'à cinq SmartKey™ (chacune vendue séparément) pour une SmartDoor™.

## Modes de fonctionnement

**Mode LOCKED [VERROUILLÉ]** - Le rabat SmartDoor™ est verrouillé et ne permet pas l'accès ou la sortie, peu importe l'animal.

**Mode UNLOCKED [DÉVERROUILLÉ]** - Le rabat SmartDoor™ est déverrouillé et permet à tous les animaux d'entrer et de sortir.

**Mode AUTOMATIC [AUTOMATIQUE]** - Le rabat SmartDoor™ est verrouillé électroniquement et ne permet l'entrée et la sortie qu'aux animaux portant une SmartKey™ programmée.

**Compartment à pile** - Le compartiment à pile est situé à l'intérieur du cadre et nécessite (quatre) piles D (LR20). Vous retrouverez les vis de montage, le porte-clefs, la SmartKey™ et la pile RFA-67 dans le compartiment de pile.

**Pile RFA-67** - La pile RFA-67 est remplaçable et alimente la SmartKey™. Des piles supplémentaires RFA-67 sont disponibles chez les détaillants ou en communiquant avec le service à la clientèle de PetSafe® ou en visitant le [www.petsafe.com](http://www.petsafe.com). La durée de vie normale de la pile RFA-67 est d'environ six mois.

- **Dimension extérieure du cadre** - Dimensions générales de la chatière
- **Taille de l'ouverture** - Découpe de l'ouverture dans la porte du propriétaire pour l'installation et l'ajustement adéquat de la chatière
- **Taille du rabat de remplacement** - Taille générale du rabat lorsque celui-ci est retiré de la chatière
- **Taille de l'ouverture par rabat** - Espace utilisé par le rabat pour permettre l'entrer et la sortie de l'animal à travers la chatière
- **Cadre intérieur** - Cadre de la chatière sur la partie intérieur de la maison
- **Cadre extérieur** - Cadre de la chatière sur l'extérieur de la maison

# PRÉPARATION

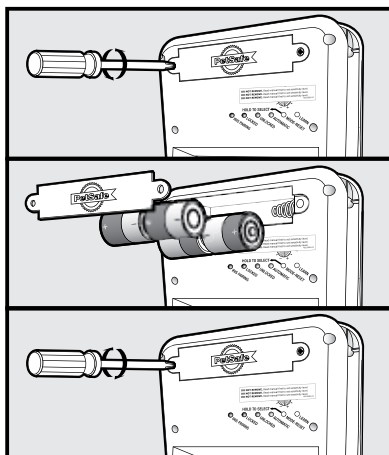
## Préparation de votre SmartDoor™

**NE FAIRE AUCUNE COUPE OU INSTALLATION TANT QUE LES ÉTAPES A À D CI-DESSOUS N'ONT PAS ÉTÉ COMPLÉTÉES. NE RETIREZ PAS L'AUTOCOLLANT DE SENSIBILITÉ TANT QUE L'INSTALLATION N'EST PAS TERMINÉE.**

### A. Installez les piles dans la SmartDoor™

1. À l'aide d'un tournevis Phillips, retirez les deux vis retenant le couvercle du compartiment à piles.
2. Retirez le couvercle du compartiment à piles.
3. Consultez l'intérieur du couvercle du compartiment à piles pour installer correctement les quatre piles D (LR20).
4. Réinstallez le couvercle du compartiment à piles à l'aide des deux vis.
5. Lorsque les piles sont installées dans la SmartDoor™ électronique, le voyant rouge s'illuminera pendant deux secondes et le rabat se déplacera en position verrouillée, à moins que le rabat ne soit déjà en position verrouillée.

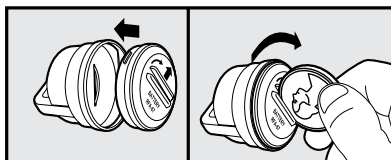
**REMARQUE :** la porte doit être en position verticale pour que le rabat soit adéquatement centré et qu'il fonctionne correctement.



### B. Installez a pile dans la SmartKey™

1. Installez la pile RFA-67 PetSafe® dans le bas de la SmartKey™.
2. À l'aide d'une pièce de monnaie, faites un quart de tour dans le sens horaire pour verrouiller la pile RFA-67 PetSafe®.

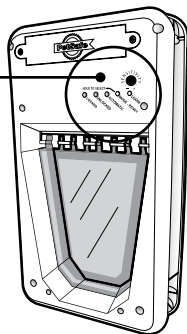
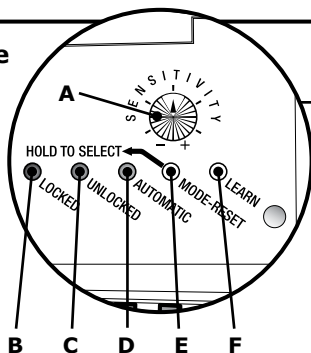
**REMARQUE :** la SmartKey™ possède un voyant rouge qui clignotera lorsque la pile RFA-67 PetSafe® sera faible; la pile devra alors être remplacée le plus rapidement possible.



### C. Vérifiez les différents modes de fonctionnement avant l'installation indicateurs de fonctionnement

#### SmartDoor™ électronique

- A. Bouton de sensibilité
- B. Voyant indicateur rouge pour verrouillé ou pile faible
- C. Voyant indicateur vert pour déverrouillé ou Mode programmation
- D. Voyant indicateur jaune pour Mode automatique ou erreur
- E. Bouton de sélection Mode réinitialisation
- F. Bouton Mode programmation



- Pour s'assurer que les réglages fonctionnent correctement, pressez et tenez le bouton MODE RÉINITIALISATION jusqu'à ce que tous les modes de fonctionnement soient apparus et aient fait allumés chacun une fois le voyant rouge, vert et jaune.

## Modes de fonctionnement

**MODE VERROUILLÉ** - Le mode verrouillé n'autorise l'entrée ou la sortie à aucun animal. La SmartDoor™ est expédiée de l'usine en MODE VERROUILLÉ et elle entrera en MODE VERROUILLÉ lorsque Des piles sont installées dans la SmartDoor™. *Pour le réglage* : appuyez et tenez le bouton MODE RÉINITIALISATION jusqu'à ce que le voyant rouge s'allume, vous pouvez ensuite relâchez le bouton une fois la sélection effectuée.

**MODE DÉVERROUILLÉ** - permet l'entrée et la sortie à tous les animaux. *Pour le réglage* : appuyez et tenez le bouton MODE RÉINITIALISATION jusqu'à ce que le voyant vert s'allume, vous pouvez ensuite relâchez le bouton une fois la sélection effectuée.

**MODE AUTOMATIQUE** - ne permet l'entrée et la sortie qu'aux animaux portant une SmartKey programmée™. *Pour le réglage* : appuyez et tenez le bouton MODE RÉINITIALISATION jusqu'à ce que le voyant jaune s'allume, vous pouvez ensuite relâchez le bouton une fois la sélection effectuée. Cinq clefs SmartKey™ peuvent être programmées à une SmartDoor™ pour l'entrée et la sortie sélective en MODE AUTOMATIQUE.

**REMARQUE** : si à tout moment le voyant rouge reste allumé, remplacez les piles. Si cela n'efface pas le voyant rouge, veuillez contacter notre service à la clientèle pour de l'aide supplémentaire.

Si vous rencontrez un échec dans une des partie de l'étape C, veuillez contacter notre service à la clientèle pour de l'aide supplémentaire.

## D. Vérification l'endroit de la SmartDoor™ avant l'installation

**NE RETIREZ PAS L'AUTOCOLLANT DE SENSIBILITÉ TANT QUE L'INSTALLATION DE LA SMARTDOOR™.**

Il est recommandé de vérifier, avant l'installation, le fonctionnement adéquat de la SmartDoor™ dans l'endroit ou le lieu prévu d'utilisation. Vérifiez contre tout brouillage aux radiofréquences importants. Une distance de 60 cm (2 pi) est recommandée entre les appareils domestiques et produits électroniques et le lieu™ où est situé la SmartDoor. Le brouillage aux radiofréquences détecté par d'autres appareils domestiques ou de produits électroniques communs affecteront négativement la capacité du SmartDoor™ à recevoir le signal provenant d'une SmartKey™. Les appareils et produits normalement à surveiller sont les ordinateurs portables, les téléphones sans fil, les four micro-ondes, les téléviseurs, les ouvre-portes de garage, les appareils électroniques portatifs (comme les téléphones cellulaires, les consoles de jeux et les télécommandes sans fil).

L'autocollant apposé sur le bouton de sensibilité ne devrait pas être retiré, sauf une fois l'installation terminée, car le réglage de sensibilité réglé en usine est positionné au niveau optimal convenant à la majorité des installations.

Il est recommandé d'installer la SmartDoor™ dans un endroit où le vent n'est pas un facteur. Écart de température toléré pour le fonctionnement : -20,5° C à 82° C (-5° F to 180° F). Taux d'humidité toléré pour le fonctionnement : 0 à 99,9 %.

- Pour vérifier si la technologie radiofréquences de la SmartDoor™ fonctionne correctement dans l'endroit et l'application désirée, positionnez SmartDoor™ directement en avant et contre la porte ou l'application, en position verticale. Après avoir effectué les étapes A à C, ajustez maintenant la SmartDoor™ en mode AUTOMATIQUE et tenez la SmartKey™ directement à l'avant de la SmartDoor™. Le rabat de la SmartDoor™ devrait se déverrouillé après environ trois secondes. Rappelez-vous que la SmartKey™ incluse dans la trousse est déjà programmée à la SmartDoor™.

**REMARQUE** : dans l'éventualité où des SmartKey™ existent déjà dans la maison, retirez toutes les piles (RFA-67) lors de l'exécution de l'étape D, sauf pour la SmartKey™ incluse avec la SmartDoor™.

Si la SmartDoor™ ne se déverrouille pas, déplacez la SmartDoor™ à un autre endroit et effectuez de nouveau les étapes A à D. Si le test de localisation de la SmartDoor™ ci-dessus ne fonctionne pas, veuillez contacter le service à la clientèle pour de l'aide supplémentaire.

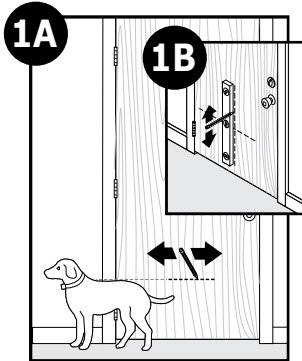
Une fois les étapes A à D complétées avec succès, votre SmartDoor™ peut être installée.

# **INSTALLATION**

## Installation de votre SmartDoor™

### Étape 1 Déterminez le lieu d'installation de la chatière

# 1



**1A** Mesurez la hauteur de l'épaule de votre animal et faites une marque correspondante sur la porte.

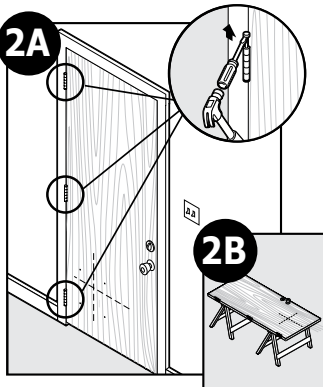
**1B** Déterminez l'endroit de la chatière. Dessinez, à l'aide d'un niveau, une ligne centrale verticale à partir de la ligne désignant la hauteur de l'épaule.

#### **AVIS**

Si la porte du propriétaire ou toute autre partie impliquée n'est pas au niveau, la chatière elle doit l'être afin de se rabattre correctement.

### Étape 2 Préparation de la porte

# 2

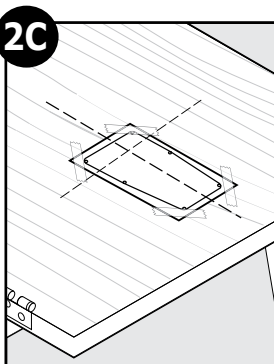


**2A** Retirez les charnières de la porte.

**2B** Déposez-la sur une surface soulevée au niveau comme un chevalet de menuisier.

**Astuce utile :** Attachez ou déposez un poids sur la porte afin qu'elle ne bouge pas.

**REMARQUE :** la chatière peut être installée avec la porte en place, selon votre niveau de compétence.



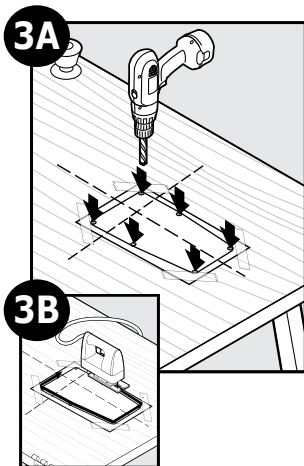
**2C** Faites correspondre les lignes marquées sur la porte avec les lignes d'épaule et centrales sur le gabarit. Fixez le gabarit en place à l'aide du ruban.

#### **AVIS**

Lorsque vous fixez le gabarit, un espace d'au moins 7,6 cm (3 po) doit être présent entre le bas et les côtés de la porte et le coin supérieur extérieur du gabarit; cela permettra de maintenir l'intégralité structurel de la porte.

## Étape 3 Coupez l'ouverture pour la chatière

# 3



**3A** Laissez le gabarit en place et percez des trous de 10 mm (3/8 po) à l'intérieur des coins de celui-ci. Ceux-ci serviront de trous de guidage pour la scie sauteuse.

**Astuce utile :** Utilisez vos deux mains afin que la perceuse soit stable et droite à un angle de 90°.

**3B** En commençant dans un des trous que vous venez tout juste de percer, coupez le long des lignes du gabarit. Une fois l'ouverture coupée, retirez l'excès de gabarit. Vous pourriez devoir recouper afin que l'ouverture soit à angle droit. Cela est nécessaire pour que le cadre de la chatière s'ajuste correctement.

**Astuces utiles :** utilisez une lame de scie convenant au matériel de fabrication de votre porte (par exemple, une lame à bois pour une porte en bois et une lame à métal pour une porte métallique). Pendant la coupe, utilisez vos deux mains pour couper lentement, régulièrement et à un angle de 90°. Cela empêchera aussi la lame de couper de façon inégale entre l'intérieur et l'extérieur de la porte.

### AVIS

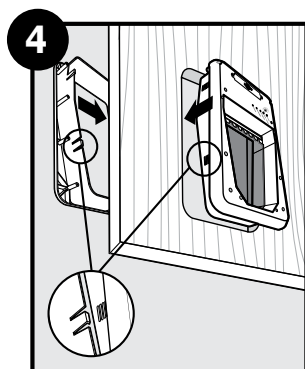
**Assurez-vous qu'il n'y a rien en-dessous de la porte lorsque vous percerez les trous ou couperez l'ouverture.**

## Étape 4 Installation de la chatière

# 4

**Fit**

**Check** Avant de déposer la scie sauteuse, installez le cadre intérieur (cadre avec rabat) dans l'ouverture et vérifiez l'ajustement. Placez ensuite le cadre extérieur sur le revers de la porte pour vérifier l'ajustement. Si les cadres n'entrent pas dans l'ouverture, vous pourriez devoir recouper l'ouverture à angle droit avant de procéder à l'installation.

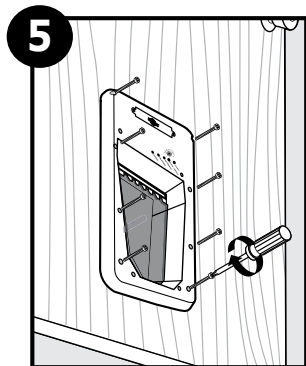


**4** Réinstallez la porte et le cadre intérieur avec le rabat dans l'ouverture de la porte intérieure. Installez le cadre extérieur sur l'extérieur de la porte et, à l'aide de vos deux mains, pressez fermement contre le cadre intérieur et extérieur. Continuez d'appuyer tout en déplaçant vos mains du haut vers le bas des cadres, jusqu'à ce que les onglets d'alignement s'enclenchent et que les deux cadres soient fermement insérés.

**Astuces utiles :** utilisez un ruban de peintre à travers l'intérieur du cadre SmartDoor™ et de la porte afin de les tenir ensemble pendant que vous positionnez le cadre extérieur.

## Étape 5 Insérez les vis

# 5



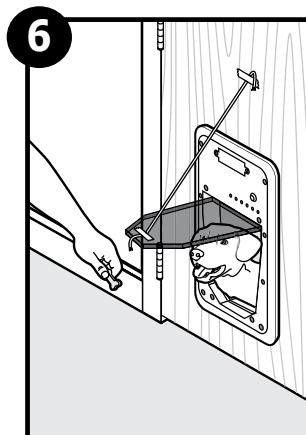
5 Vissez les vis dans le cadre intérieur et alignez-les avec le cadre extérieur. Serrez à l'aide d'un tournevis. **NE PAS TROP SERRER.**

**Astuces utile :** si vous utilisez un tournevis électrique, réglez-le à un couple de serrage faible.

**REMARQUE :** la petite SmartDoor™ est pourvue de trous d'installation à quatre vis et la SmartDoor™ large est pourvue de trous d'installation à huit vis.

## Étape 6 Entraînement de votre animal

# 6



6 Faites tenir votre rabat ouvert à l'aide de ruban afin que votre animal se familiarise avec l'ouverture de la chatière. Lorsqu'il s'est familiarisé, abaissez le rabat faites fonctionner la SmartDoor™ en Mode DÉVERROUILLÉ, encourageant ainsi votre animal à pousser le rabat. Lorsque votre animal de compagnie s'est familiarisé avec l'ouverture et la fermeture du rabat, réglez la SmartDoor™ au Mode AUTOMATIQUE et utilisez-le en conjonction avec la SmartKey™ programmée. Amenez votre animal à la SmartDoor™ jusqu'au point où la SmartKey™ est détectée, déverrouillant le rabat. Répétez l'entraînement de votre animal à se rendre à la SmartDoor™ et qu'il pousse le rabat pour se rendre de l'autre côté.

**Astuce utile :** utilisez des gâteries pour encourager votre animal à pousser le rabat SmartDoor™.

**REMARQUE :** la SmartDoor™ est munie d'un moteur électrique pour dégager et déverrouiller le rabat lorsqu'une SmartKey™ est détectée. Ne laissez pas votre animal courir ou s'élancer vers la SmartDoor™. À cause des brouillages aux radiofréquences, cela pourrait prendre quelques secondes avant que le code unique SmartKey™ e soit lu correctement, permettant le déverrouillage de la SmartDoor™.

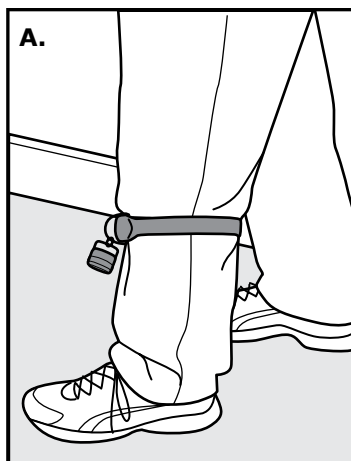
## **RÉGLAGE**

### A. Réglage du niveau de sensibilité de la SmartDoor™.

Il est nécessaire de régler le niveau de sensibilité de la SmartDoor™ afin que la SmartKey™ de votre animal fonctionne correctement, selon le lieu ou le matériel utilisé, comme le brouillage aux radiofréquences, les portes en bois ou métalliques.

Il est recommandé d'utiliser au départ l'anneau brisé (inclus) pour fixer la SmartKey™ à l'anneau en D du collier de votre animal. N'utilisez pas d'étiquettes métalliques car cela pourrait causer des brouillages aux radiofréquences et empêcher la détection de la SmartKey™ de votre animal. Continuez maintenant à suivre les étapes suivantes intitulées « Utilisation du produit » :

1. Déposez le collier de votre chien sur votre jambe, tout juste en dessous de votre genou. Un ruban peut être utilisé pour fixer le collier, si nécessaire. **Voir A.**
2. Tenez-vous directement en avant de la SmartDoor™ afin que la SmartKey™ se situe à environ 76 cm (2,5 pi) de la SmartDoor™.
3. Réglez la SmartDoor™ en Mode DÉVERROUILLÉ. (Consultez la page 20 pour les instructions de fonctionnement).
4. Réglez la SmartDoor™ en Mode Test de sensibilité en tenant les boutons MODE RÉINITIALISATION et APPRENDRE enfoncés en même temps jusqu'à ce que les trois voyants clignotent une fois.
5. Tournez le bouton de sensibilité dans le sens antihoraire, en position minimale, et tournez ensuite le bouton de sensibilité dans le sens horaire jusqu'à ce que tous les voyants recommencent à clignoter.
6. Continuez de tourner doucement dans le sens horaire pour ajuster le Bouton de sensibilité jusqu'à ce que six clignotements consécutifs se produisent; cessez alors l'ajustement. Ne pas ajuster plus élevé que nécessaire.
7. Mettez la SmartDoor™ en Mode AUTOMATIQUE et reculez d'au moins 3 m (10 pi), permettant ainsi la porte de se verrouiller automatiquement. Cela pourrait prendre jusqu'à quinze secondes, une fois que la SmartKey™ n'est plus détectée.
8. Confirmez maintenant le niveau de sensibilité en approchant de la SmartDoor™. La porte devrait se déverrouiller lorsque vous vous tenez à environ 60 cm (2 pi) à l'avant de la SmartDoor™.



## B. Compréhension la sensibilité et de la zone active

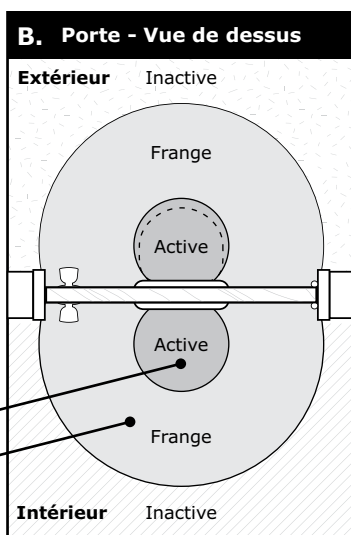
La zone active est la zone où la SmartDoor™ s'ouvrira automatiquement selon l'ajustement du niveau de sensibilité. Dans la zone de frange, la SmartDoor™ pourrait s'ouvrir inopinément due aux différents brouillages aux radiofréquences ou aux réflexions. Dans la zone active, la porte ne se verrouillera généralement pas automatiquement. **Consultez B.**

Vous pourriez remarquer de légères différences entre les zones actives intérieure et extérieure à cause des brouillages aux radiofréquences.

### Selon le lieu et l'application

~ 76 cm (2,5 pi)

~ 183 cm (6 pi)





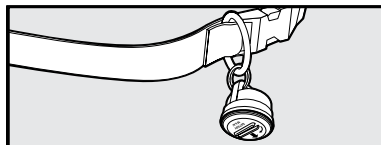
## C. Programmation d'une nouvelle SmartKey™

Pour réduire le risque d'erreur lors de la programmation, retirez la pile RFA-67 de toutes les SmartKey™ programmées, sauf celle que vous désirez programmer. Enfoncez et tenez le bouton APPRENDRE, jusqu'à ce que le voyant vert s'allume et commence à clignoter, relâchez-le alors. Dirigez la SmartKey™ directement en-dessous du voyant vert, celle-ci sera alors immédiatement de clignoter et s'allumera pendant deux secondes. Votre SmartKey™ est maintenant programmée et ajoutée en mémoire. Jusqu'à cinq SmartKey™ peuvent être ajoutées, une à la fois.

## D. Fixez la SmartKey™ au collier de votre animal

Un anneau brisé est fourni pour fixer celle-ci au collier de votre animal et devrait être suspendue en-dessous de son cou.

La SmartDoor™ comprend (une) SmartKey™ déjà programmée et prête à l'emploi.



## FONCTIONNEMENT

### Fonctionnement de votre SmartDoor™

**MODE VERROUILLÉ** - Le mode verrouillé n'autorise l'entrée ou la sortie à aucun animal. La SmartDoor™ est expédiée de l'usine en MODE VERROUILLÉ et elle entrera en MODE VERROUILLÉ lorsque Des piles sont installées dans la SmartDoor™. Pour le réglage : appuyez et tenez le bouton MODE RÉINITIALISATION jusqu'à ce que le voyant rouge s'allume, vous pouvez ensuite relâcher le bouton une fois la sélection effectuée.

**MODE DÉVERROUILLÉ** - permet l'entrée et la sortie à tous les animaux. Pour le réglage : appuyez et tenez le bouton MODE RÉINITIALISATION jusqu'à ce que le voyant vert s'allume, vous pouvez ensuite relâcher le bouton une fois la sélection effectuée.

**MODE AUTOMATIQUE** - Ne permet l'entrée et la sortie qu'aux animaux portant une SmartKey™ programmée; jusqu'à cinq SmartKey™ peuvent être programmées dans une SmartDoor™, permettant l'entrée et la sortie sélective en mode automatique. Pour le réglage : appuyez et tenez le bouton MODE RÉINITIALISATION jusqu'à ce que le voyant jaune s'allume, vous pouvez ensuite relâcher le bouton une fois la sélection effectuée.

**REMARQUE :** si à tout moment le voyant rouge reste allumé, remplacez les piles. Si cela n'efface pas le voyant rouge, veuillez contacter notre service à la clientèle pour de l'aide supplémentaire.

Couleur du voyant	Condition	Statut de la chatière
ROUGE	Continue pendant seulement deux secondes après la sélection du mode VERROUILLÉ	Mode VERROUILLÉ
	Clignotante	Avertissement de pile faible
	Constamment allumée	Une défektivité interne s'est produite
VERTE	Continue pendant seulement deux secondes après la sélection du mode DÉVERROUILLÉ	Mode DÉVERROUILLÉ
	Clignotante	Mode Apprendre
JAUNE	Continue pendant seulement deux secondes après la sélection du mode AUTOMATIQUE	Mode AUTOMATIQUE
	Clignotante	Avertissement d'erreur
ROUGE, VERTE ET JAUNE	Clignotant en même temps	Mode Test de sensibilité

# Dépannage

La SmartDoor™ ne répond pas à la présence de la SmartKey™ lorsque mon animal se dirige en moins de trois secondes à l'avant de la SmartDoor™.	<ul style="list-style-type: none"><li>• Assurez-vous que la SmartDoor™ est en mode AUTOMATIQUE.</li><li>• Assurez-vous que la SmartKey™ a bien été programmée à la SmartDoor™.</li><li>• Assurez-vous que le niveau de sensibilité a été ajusté correctement, consultez la page 10.</li><li>• Assurez-vous que la pile RFA-67 de la SmartKey™ est bien vissée en place.</li><li>• Assurez-vous que les piles de la SmartDoor™ sont bonnes.</li><li>• Si le problème persiste, assurez-vous qu'aucun appareil ne transmet ou ne reflète de radiofréquences ou d'énergie électrique, ce qui pourrait nuire au bon fonctionnement de la SmartDoor™.</li></ul>
La lumière jaune clignote	<ul style="list-style-type: none"><li>• Une obstruction a été détectée au rabat.</li><li>• Appuyez sur le bouton MODE RÉINITIALISATION pour tenter de verrouiller le rabat de la SmartDoor™. Dégage toutes obstructions empêchant le rabat de se verrouiller. Lorsque le rabat se verrouille, le fonctionnement normale reprend.</li><li>• Si votre grande SmartDoor™ ne se ferme pas correctement, vous pouvez faire l'acquisition d'une pousse magnétique supplémentaire pour assister le rabat central lors de vent constant ou d'écart entre la pression intérieure et extérieure. Veuillez contacter le service à la clientèle pour plus d'aide.</li></ul>
La lumière rouge demeure allumée (une défectuosité interne s'est produite)	<ul style="list-style-type: none"><li>• Retirez les piles et remplacez-les par des nouvelles. Si cela n'efface pas la lumière rouge, veuillez contacter notre service à la clientèle pour de l'aide supplémentaire au 1-800-732-2677.</li></ul>
La lumière rouge clignote	<ul style="list-style-type: none"><li>• Indicateur de pile faible, remplacez les piles.</li></ul>
Les lumières rouge, verte et jaune clignent	<ul style="list-style-type: none"><li>• Le mode de réglage de sensibilité a été actionné. Il se désactivera automatiquement dans trente minutes ou peut être désactivé immédiatement en appuyant une fois sur le bouton MODE RÉINITIALISATION.</li></ul>

## Rétablir la SmartKey™ aux réglages par défaut

Toutes SmartKey™ déjà programmées dans la SmartDoor™ peuvent être effacées À L'EXCEPTION de celle incluse lors de l'achat. Pour ce faire, vous devez retirer toutes les piles du compartiment à piles. Ensuite, lorsque vous réinstallez les piles dans le compartiment, tenez le bouton APPRENDRE. Lorsque le bouton APPRENDRE est maintenu enfoncé et la dernière pile en place, les lumières rouge et verte clignoteront à trois reprises. Toutes les SmartKey™ programmées à la SmartDoor™ ont été effacées, à l'exception de celle incluse avec votre SmartDoor™.

## Effacer la mémoire SmartKey™

Toutes SmartKey™ déjà programmées dans la SmartDoor™ peuvent être effacées, y compris celle incluse lors de l'achat. Pour ce faire, vous devez retirer toutes les piles du compartiment à piles. Ensuite, lorsque vous réinstallez les piles dans le compartiment, tenez le bouton MODE RÉINITIALISATION. Lorsque le bouton MODE RÉINITIALISATION est maintenu enfoncé et la dernière pile en place, les lumières rouge et jaune clignoteront à trois reprises. Toutes les SmartKey™ ont été effacées.

## Pièces de remplacement et accessoires

Pour faire l'achat de pièces de remplacement pour votre PetSafe® SmartDoor™, contactez le **Service à la clientèle au 1-800-732-2677** ou visitez notre site Internet au **www.petsafe.com** pour localiser le détaillant le plus près de chez vous.

## Service à la clientèle International

Canada : 1-800-732-2677  
Royaume-Uni : 0800 046 1414  
Europe : 00 800 18 18 20 20

Australie : 1800 786 608  
Nouvelle-Zélande : 0800 543 054

Composant	Numéro de pièce
SmartKey™	PAC11-11405
Pile PetSafe® RFA-67	RFA-67
Petit rabat de remplacement	CPA11-11580/MPA00-12830
Grand rabat de remplacement	CPA11-11579/MPA00-12829
Petite trousse de quincaillerie	CPA00-11617/MPA00-12814
Grande trousse de quincaillerie	CPA00-11618/MPA00-12815
Trousse de conversion murale - petit	MPA11-12019
Trousse de conversion murale - grand	MPA11-12020
Tunnel de rallonge - grand	CPA00-12021/MPA00-12820
Conversion murale - petit - Trousse de quincaillerie de remplacement	CPA00-12054/MPA00-12821
Conversion murale - grande - Trousse de quincaillerie de remplacement	CPA00-12055/MPA00-12822

Ce produit est pourvu d'une garantie limitée du fabricant. Les détails de la garantie applicable à ce produit et ainsi que ces termes sont disponibles au [www.petsafe.com](http://www.petsafe.com) ou encore en nous faisant parvenir une enveloppe affranchie à PetSafe® Ltd. Redthorn House, Unit 9, Chorley West Business Park, Ackhurst Road, Chorley, Lancashire PR7 1NL, Royaume-Uni.

## Conditions d'utilisation et limitation de responsabilité

### 1. Conditions d'utilisation

Ce produit vous est offert conditionnel à votre accord sans qu'aucune modification ne soit apportée aux termes, conditions et avis contenus aux présentes. Le fait d'utilisation de ce produit signifie votre accord à ces termes, conditions et avis.

### 2. Utilisation adéquate

Ce produit est conçu pour être utilisé avec des animaux où un entraînement est nécessaire. Le tempérament particulier de votre animal peut ne pas convenir à ce produit. Si vous n'êtes pas convaincu que cela convienne à votre animal, veuillez consulter votre vétérinaire ou un entraîneur accrédité. Une utilisation appropriée comprend la révision complète du Mode d'emploi fourni avec votre produit ainsi que les clauses d'avertissement spécifiques.

### 3. Utilisation illicite ou interdite

Ce produit est conçu pour être utilisé avec des animaux seulement. Cet appareil de formation pour animaux n'est pas conçu pour porter préjudice, blesser ou provoquer. L'utilisation de ce produit d'une façon autre que celle pour laquelle il a été conçu pourrait résulter en la violation de lois fédérale, provinciale ou régionale.

### 4. Limitation de responsabilité

En aucune circonstance Radio Systems Corporation ne peut être tenu responsable de dommages directs, indirects, punitifs, accessoires, spéciaux ou consécutifs, ou tout autre dommage quel qu'ils soient survenant ou relié à l'utilisation ou au mésusage de ce produit. L'acheteur assume tous les risques et toutes les responsabilités reliées à l'utilisation de ce produit.

### 5. Modification de ces termes et conditions

Radio Systems Corporation se réserve le droit de modifier ces termes, conditions et avis sous lesquels ce produit est offert.

## Pile perchlorate

Matériel perchlorate - une manipulation spéciale pourrait s'appliquer. Consultez le site [www.dtsc.ca.gov/hazardouswaste/perchlorate](http://www.dtsc.ca.gov/hazardouswaste/perchlorate).



## Avis de recyclage importante

Veillez respecter les normes de déchet d'équipements électrique et électronique de votre pays. Cet équipement doit être recyclé. Si vous n'utilisez plus ce produit, ne le déposez pas dans votre système de déchet municipal régulier. Veuillez le retourner où l'achat a été effectué afin qu'il soit déposé dans notre système de recyclage. Si ce n'est pas possible, veuillez contacter notre service à la clientèle pour plus d'informations.



## Mise au rebut de pile

La cueillette séparée de piles usagées existe dans plusieurs régions; vérifiez les règlements de votre municipalité avant de vous départir de vos piles usagées.

### SmartDoor™ :

cet appareil fonctionne avec des piles alcaline de type LR20/D de 1,5 volts, capacité de 18 000 mA.H. Remplacez-les seulement par des piles équivalentes.

### SmartKey™ :

cet appareil fonctionne avec deux piles au lithium de type R2032 de 3 volts, capacité de 220 mA.H. Remplacez-les seulement par des piles équivalentes en contactant le service à la clientèle.

Consultez la page 19 pour des instructions sur la façon de retirer les piles de ces produits pour une élimination séparée.

---

## Conformité

### CC/IC

Cet appareil numérique de Classe B est conforme avec la norme ICES-003 Canada. Cet équipement a été testé et a été trouvé conforme avec les limites d'appareil numérique de Classe B, conformément à la Partie 15 des règles CCI. Ces limites sont conçues pour fournir une protection raisonnable contre le brouillage préjudiciable lorsque l'équipement est utilisé dans un environnement résidentiel. Cet équipement génère, utilise et peut refléter de l'énergie de radiofréquence et, si non installé et utilisé conformément au mode d'emploi, pourrait causer un brouillage préjudiciable aux communications radio. Par contre, il n'existe aucune garantie que ce brouillage ne se produira pas dans une installation pratique. Si cet équipement cause un brouillage préjudiciable à la réception de radio ou téléviseur, ce qui peut être déterminé en éteignant et allumant l'équipement, nous encourageons l'utilisateur à corriger ce brouillage en adoptant l'une des mesures suivantes :

- Relocalisez l'antenne de réception brouillée.
- Augmentez l'écart entre l'équipement et le récepteur.
- Connectez l'équipement dans une prise électrique d'une circuit différent que celui où le récepteur est actuellement connecté.
- Contactez le service à la clientèle.

Cet appareil est conforme aux règles d'Industrie Canada. Cet appareil est conforme à la Partie 15 des Règles CCI. Le fonctionnement est sujet aux conditions suivantes : (1) Cet appareil ne peut causer de brouillage préjudiciable, et (2) cet appareil doit accepter tout brouillage reçu, incluant le brouillage pouvant causer un fonctionnement inopportun.

Tous changements ou modifications non-autorisées de l'équipement, non approuvé par Radio Systems Corporation, pourrait résulter en la non-conformité avec les règles CCI et pourrait rendre nulle l'autorité de l'utilisateur pour faire fonctionnement cet équipement.

### CE

Radio Systems Corporation déclare, sous sa propre responsabilité, que le(s) produit(s) suivant(s) est (sont) conforme(s) aux exigences fondamentales de l'article 3 de la directive RED (2014/53/UE), de la directive CEM 2014/30/UE et de la directive RoHS 2 (UE) 2015/863. Les changements ou les modifications non autorisé(e)s sur l'appareil qui ne sont pas approuvé(e)s par Radio Systems Corporation peuvent entraîner la violation des réglementations RED et la révocation de l'autorisation d'utilisation de l'appareil, et annulent la garantie.

Par la présente, Radio Systems Corporation déclare que ce produit est conforme aux exigences fondamentales et autres provisions applicables. Vous trouverez la déclaration de conformité à l'adresse : [http://www.petsafe.com/customer-care/eu\\_docs.php](http://www.petsafe.com/customer-care/eu_docs.php).

### Australie

Cet appareil est conforme aux exigences EMC applicables spécifiées par le ACMA (Australian Communications and Media Authority).

# **Español** Información importante sobre seguridad

## Explicación de los símbolos y palabras de atención utilizados en esta guía



Este es un símbolo de alerta. Se utiliza para advertir al usuario sobre posibles lesiones personales. Obedezca todos los mensajes de seguridad que aparecen junto a este símbolo para evitar posibles lesiones o la muerte.

### **⚠️ ADVERTENCIA**

ADVERTENCIA indica una situación peligrosa que, si no se evita, podría provocar la muerte o daños serios.

### **⚠️ ATENCIÓN**

ATENCIÓN, utilizada con el símbolo de alerta de seguridad, indica una situación peligrosa que, si no se evita podría provocar lesiones menores o moderadas.

### **ATENCIÓN**

ATENCIÓN, sin el símbolo de alerta de seguridad, indica una situación peligrosa que, de no evitarse, podría provocar daños a su mascota.

### **AVISO**

AVISO se utiliza para referirse a prácticas no relacionadas con las lesiones personales.

### **⚠️ ADVERTENCIA**

- Cuando hay niños en la casa, es importante reconsiderar la colocación de la puerta para mascotas durante la implementación de medidas de seguridad. Un niño puede utilizar de manera indebida la puerta para mascotas y acceder a lugares potencialmente peligrosos al atravesar la puerta. Los compradores o propietarios que tienen piscinas de natación en sus hogares deben asegurarse de controlar la puerta para mascotas en todo momento y de que la piscina tenga las barreras de protección adecuadas para impedir el ingreso. En el caso de que se origine una nueva situación de peligro ya sea dentro o fuera de su hogar y a la cual se pueda acceder a través de la puerta para mascotas, Radio Systems® Corporation le recomienda que evite el acceso a dicho peligro o quite la puerta para mascotas. El panel de cierre o bloqueo, si corresponde, se incluye con fines estéticos y de ahorro de energía, y no como un dispositivo de seguridad. Radio Systems Corporation no se responsabilizará por el uso inadecuado de este producto; el comprador asume total responsabilidad por la supervisión de la abertura que instala.
- Herramientas eléctricas. Riesgo de lesiones graves; siga todas las instrucciones de seguridad incluidas con las herramientas eléctricas. Siempre utilice gafas de seguridad.
- Hay riesgo de explosión si la batería se sustituye por otra inadecuada. No provoque cortocircuitos ni mezcle baterías viejas y nuevas. No las tire al fuego ni las exponga al agua. Cuando las baterías se guarden o se desechen, deben estar protegidas para que no se produzcan cortocircuitos. Deseche las baterías usadas de forma adecuada.
- Pila tipo botón en el interior. Si se tragan las pilas de litio, pueden producirse quemaduras químicas internas rápidamente (en menos de 2 horas) y pueden provocar la muerte. Deseche las baterías usadas inmediatamente. Mantenga TODAS las baterías fuera del alcance de los niños. En caso de ingestión, busque inmediatamente atención médica.

### **⚠️ ATENCIÓN**

Antes de instalar el producto, el usuario debe familiarizarse con todos los códigos de construcción que pudieran afectar la instalación de la puerta para mascotas y decidir, junto con un contratista habilitado, si su instalación es viable en un lugar determinado. La puerta para mascotas no es una puerta contra incendios. Tanto el propietario como el contratista deben considerar todos los riesgos que pudieran presentarse tanto en el interior como en el exterior del hogar; como así también, los riesgos que podrían originarse debido a cambios posteriores que se realicen en la vivienda y de qué manera estos cambios pueden relacionarse con la existencia y el uso, incluido el uso indebido, de la puerta para mascotas.

### **ATENCIÓN**

Durante el adiestramiento de la mascota, mientras la puerta para mascotas esté en el Modo DESBLOQUEADO, baje SUAVEMENTE el batiente sobre el lomo de la mascota. Asimismo, evite posibles lesiones asegurándose de que la mascota pasó completamente por la puerta para mascotas, incluidas las pezuñas y la cola, antes de soltar totalmente el batiente.

### **AVISO**

- Guarde estas instrucciones junto con los documentos importantes y recuerde entregárselas al nuevo propietario de la vivienda.
- Las modificaciones o los cambios no autorizados pueden anular el permiso entregado al usuario para utilizar este equipo y, por lo tanto, anular la garantía.

Gracias por elegir la marca PetSafe® para usted y su mascota. Ambos merecen contar con un compañero que incluya momentos memorables y comparta un entendimiento mutuo. Nuestros productos y herramientas de adiestramiento promueven un estilo de vida dedicado a la protección, la enseñanza y el amor; pilares que influyen en los recuerdos de una vida. Si tiene alguna pregunta sobre nuestros productos o sobre cómo adiestrar a su mascota, visite nuestro sitio web en [www.petsafe.com](http://www.petsafe.com) o comuníquese con nuestro Centro de Atención al Cliente.

## **GARANTÍA DEL PRODUCTO**

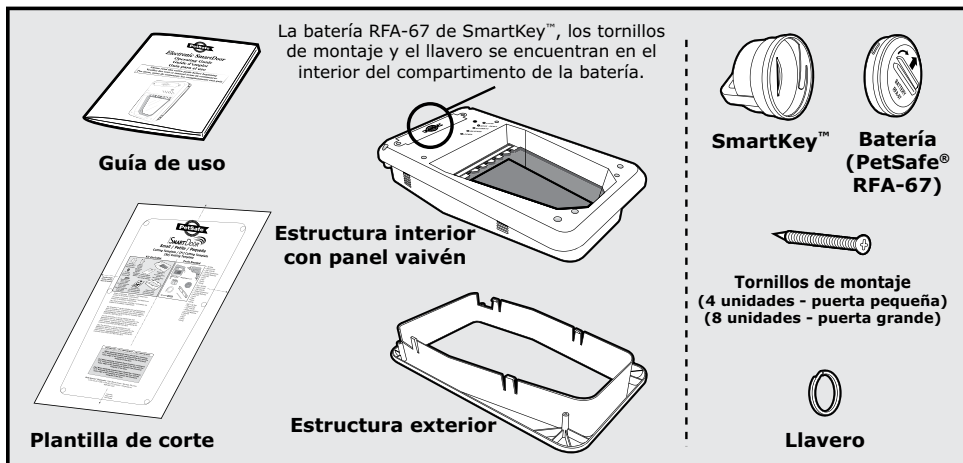
Para recibir el mejor servicio en virtud de la garantía, sírvase inscribir su producto en [www.petsafe.net](http://www.petsafe.net) dentro de los 30 días de haber realizado la compra. Al inscribir su producto y guardar el comprobante de compra, usted podrá disfrutar de la garantía completa del mismo, y si necesita llamar al Centro de Atención al Cliente, lo podremos atender con mayor rapidez. Y, lo más importante, PetSafe® nunca divulgará ni venderá sus valiosos datos personales a nadie. Encontrará información completa sobre la garantía en nuestro sitio web en [www.petsafe.com](http://www.petsafe.com).

---

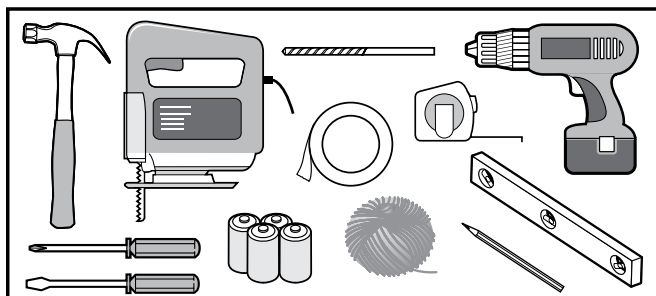
# **Tabla de contenido**

Componentes.....	31
Herramientas necesarias .....	31
Cómo funciona la puerta SmartDoor™ .....	31
Instale la puerta SmartDoor™ en una pared con el kit de conversión .....	31
Definiciones clave.....	32
<b>PREPARACIÓN</b>	
A. Coloque las pilas en el receptor SmartDoor™ .....	33
B. Coloque la batería en el transmisor SmartKey™ .....	33
C. Verifique el modo de funcionamiento antes de la instalación.....	33
D. Verifique el lugar donde colocará la puerta SmartDoor™ antes de instalarla.....	34
<b>INSTALACIÓN</b>	
Cómo instalar el receptor SmartDoor™ .....	35
<b>CONFIGURACIÓN</b>	
A. Cómo configurar el nivel de sensibilidad del receptor SmartDoor™ .....	37
B. Para comprender el área activa y de sensibilidad .....	38
C. Cómo programar un transmisor SmartKey™ nuevo .....	39
D. Coloque el transmisor SmartKey™ en el collar de su mascota .....	39
<b>FUNCIONAMIENTO</b>	
Cómo funciona el receptor SmartDoor™ .....	39
Cuadro de resolución de problemas.....	40
Cómo volver el transmisor SmartKey™ a los parámetros prefijados en fábrica.....	40
Cómo borrar la memoria del transmisor SmartKey™ .....	40
Piezas de repuesto.....	40
Atención al Cliente Internacional.....	41
Condiciones de uso y limitación de responsabilidad .....	41
Pila de perclorato.....	42
Aviso importante sobre reciclado .....	42
Eliminación de las pilas .....	42
Cumplimiento .....	42

# Componentes



## Herramientas necesarias



- Sierra de mano o serrucho de punta
- Taladro eléctrico
- Broca de 3/8" (10 mm)
- Destornillador Phillips
- 4 pilas secas (LR20) (necesarias)
- Nivel
- Cinta
- Lápiz
- Hilo

## Cómo funciona el receptor SmartDoor™

El receptor SmartDoor™ utiliza tecnología de radiofrecuencia para leer una señal única emitida por el transmisor SmartKey™ y accionar un panel vaivén a pilas que se desbloquea para permitir el ingreso y la salida de las mascotas según lo deseen. Cuando el receptor SmartDoor™ ya no recibe la señal del transmisor SmartKey™ de la mascota, el panel vaivén de la puerta para mascotas automáticamente vuelve a su lugar y se bloquea. El receptor SmartDoor™ puede detectar hasta cinco señales programadas de transmisores SmartKey™ y funciona en otros dos modos: completamente bloqueado o desbloqueado.

## Instale el receptor SmartDoor™ en una pared con el kit de conversión SmartDoor™

Hay Kits de conversión SmartDoor™ disponibles para aplicaciones de instalación en paredes. El kit de conversión con extensión para pared crea un marco hacia afuera en las áreas expuestas, lo que otorga un aspecto limpio, parejo y acabado a su instalación de puerta. Para construcciones con paredes de ladrillos, concreto o bloques hay una extensión adicional disponible para el kit de conversión grande. *Nota: El Kit de conversión SmartDoor™ pequeño está diseñado para empotrarse en la pared de ladrillos y no requiere extensiones de túnel adicionales.* Puede comprar un Kit de conversión SmartDoor™ o extensiones grandes a través de sitios web en línea seleccionados, en [www.petsafe.com](http://www.petsafe.com) o llamando a nuestro Centro de Atención al Cliente. Consulte "Piezas de repuesto" en la página 41.

# Definiciones clave

**Tecnología de radiofrecuencia:** El uso de una señal de radiofrecuencia que puede transmitirse de manera inalámbrica.

**SmartKey™:** El dispositivo SmartKey™ es un transmisor a pilas que envía una señal con un código único al receptor SmartDoor™

**SmartDoor™:** El dispositivo SmartDoor™ es un receptor inteligente que utiliza una antena interna para descifrar el código único de un transmisor SmartKey™ y permitir el ingreso y salida de una mascota en particular.

**Panel vaivén de la puerta SmartDoor™:** El panel vaivén de la puerta SmartDoor™ es un panel de plástico, resistente al clima y aislante de los rayos UV del sol.

**Antena:** La antena se encuentra en el interior del receptor SmartDoor™ y recibe las señales de radio emitidas por el transmisor SmartKey™, el cual debe encontrarse dentro de un radio determinado para que la antena lea el código único.

**Interferencia de radiofrecuencia:** Las señales de radiofrecuencia emitidas por otros electrodomésticos o productos electrónicos comunes originan interferencia, la cual afecta de manera negativa la capacidad del receptor SmartDoor™ de recibir la señal del transmisor SmartKey™. La interferencia de radiofrecuencia o "ruido" puede provenir de diferentes fuentes. La interferencia puede ser mínima, constante o siempre cambiante de acuerdo con el uso o la proximidad de los electrodomésticos durante el funcionamiento del receptor SmartDoor™. Se recomienda que los electrodomésticos y artefactos electrónicos comunes se ubiquen a una distancia mínima de dos pies (60 cm) del lugar donde se instaló la puerta SmartDoor™

**Perilla Sensitivity [de Sensibilidad]:** La perilla de sensibilidad está cómodamente ubicada en el marco interior de la puerta SmartDoor™. Se utiliza para ajustar de manera sencilla el nivel de sensibilidad del receptor SmartDoor™ de acuerdo con las interferencias habituales y otros factores ambientales a fin de optimizar su funcionamiento.

**Nivel de sensibilidad:** El nivel de sensibilidad puede ajustarse haciendo girar la perilla de sensibilidad desde el nivel mínimo hasta el máximo, de acuerdo con la interferencia de radiofrecuencia, el lugar y el material donde se instaló la puerta SmartDoor™. El nivel de sensibilidad está predeterminado por el fabricante y no debe modificarse hasta después de la instalación del producto. Por ejemplo, es posible que deba aumentar el nivel de sensibilidad si la puerta SmartDoor™ está instalada en una puerta metálica. Consulte la página 38 para más información sobre cómo ajustar la sensibilidad.

**Botón MODE-RESET [RESETEAR MODO]:** Seleccione fácilmente un modo de funcionamiento del receptor SmartDoor™ presionando el botón RESETEAR MODO para pasar por los distintos modos de funcionamiento: BLOQUEADO, DESBLOQUEADO o AUTOMÁTICO.

**Botón LEARN [APRENDER]:** El botón APRENDER programa el código único del transmisor SmartKey™ que el receptor SmartDoor™ leerá. El kit incluye un transmisor SmartKey™ programado y listo para usar. Puede programar hasta cinco transmisores SmartKey™ (se venden por separado) para usar con un único receptor SmartDoor™.

## Modos de funcionamiento

**Modo LOCKED [BLOQUEADO]:** El panel vaivén de la puerta SmartDoor™ está bloqueado y no permite el ingreso o la salida de mascotas.

**Modo UNLOCKED [DESBLOQUEADO]:** El panel vaivén de la puerta SmartDoor™ está desbloqueado y permite el ingreso o la salida de todas las mascotas.

**Modo AUTOMATIC [AUTOMÁTICO]:** El panel vaivén de la puerta SmartDoor™ está bloqueado y solamente permite el ingreso y la salida de mascotas que tengan un transmisor SmartKey™ programado.

**Compartimento para pilas:** El compartimento para pilas se encuentra en el marco interior de la puerta para mascotas y lleva cuatro (4) pilas secas (LR20). Para su comodidad durante el envío, la caja de pilas incluye los tornillos de montaje para la instalación, el llavero, el transmisor SmartKey™ y una (1) batería RFA-67.

**Batería RFA-67:** La batería RFA-67 acciona el transmisor SmartKey™ y puede reemplazarse. Puede adquirir baterías RFA-67 a través de nuestros distribuidores, comunicándose al Centro de Atención al Cliente de PetSafe® o en nuestro sitio web [www.petsafe.com](http://www.petsafe.com). La vida útil estándar de una batería RFA-67 es de aproximadamente seis meses.

**Tamaño del marco exterior:** Dimensión total de la puerta para mascotas

**Tamaño de la abertura:** Hueco en la puerta de la vivienda para la correcta instalación y encastre de la puerta para mascotas

**Tamaño del repuesto del panel vaivén:** Tamaño total del panel vaivén cuando se separa de la puerta para mascotas

**Apertura del panel vaivén:** Espacio utilizable por donde entra y sale la mascota

**Marco interior:** Marco de la puerta para mascotas en el interior de la vivienda

**Marco exterior:** Marco de la puerta para mascotas en el exterior de la vivienda



# PREPARACIÓN

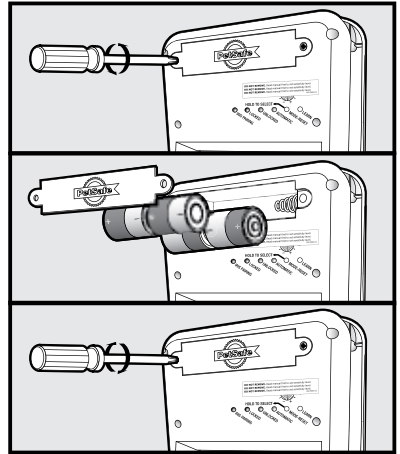
## Prepare el receptor SmartDoor™

**PRIMERO REALICE TODOS LOS PASOS A-D A CONTINUACIÓN ANTES DE COMENZAR CON LAS TAREAS DE CORTE E INSTALACIÓN. quite la ETIQUETA DE SENSIBILIDAD DESPUÉS DE HABER FINALIZADO LA INSTALACIÓN DEL PRODUCTO.**

### A. Coloque las pilas en el receptor SmartDoor™.

1. Quite los dos tornillos de la tapa del compartimento para pilas con un destornillador Phillips.
2. Quite la tapa del compartimento para pilas.
3. Consulte el lado interno de la tapa para colocar correctamente las cuatro pilas secas (LR20).
4. Coloque nuevamente la tapa y ajuste los dos tornillos.
5. Cuando se colocan las pilas en el receptor electrónico SmartDoor™, la luz roja se enciende durante dos segundos y el panel vaivén de la puerta para mascotas se posiciona en el modo de bloqueo, a menos que anteriormente ya hubiera estado en dicha posición.

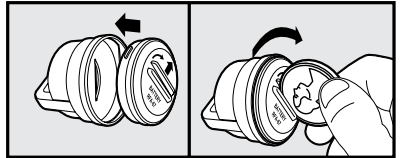
**NOTA:** La puerta debe estar en posición vertical para que el panel vaivén de la puerta para mascotas quede centrado y funcione correctamente.



### B. Coloque la batería en el transmisor SmartKey™

1. Coloque la batería RFA-67 de PetSafe® en la parte inferior del transmisor SmartKey™.
2. Para ajustar la batería RFA-67 de PetSafe®, utilice una moneda y haga girar la tapa un cuarto de vuelta en sentido de las agujas del reloj.

**NOTA:** El transmisor SmartKey™ tiene una luz roja que parpadeará cuando la batería RFA-67 de PetSafe® esté por agotarse; deberá cambiarla lo antes posible.

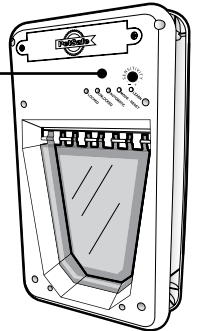
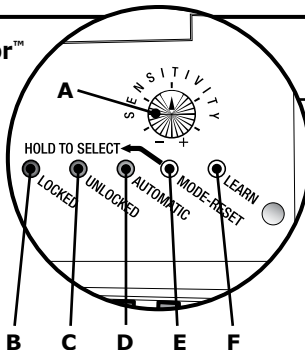


### C. Verifique los modos de funcionamiento antes de la instalación

#### Indicadores de funcionamiento

#### Puerta electrónica SmartDoor™

- A. Perilla de sensibilidad
- B. Bloqueado o indicador rojo de batería baja
- C. Desbloqueo o indicador verde de modo APRENDER
- D. Automático o indicador amarillo del modo Error
- E. Botón RESETEAR MODO
- F. Botón del modo APRENDER



- Para verificar que el producto esté correctamente configurado, mantenga presionado el botón RESETEAR MODO hasta pasar por todas las funciones y que las luces roja, verde y amarilla se hayan encendido una vez.

## Modos de funcionamiento

**Modo BLOQUEADO** – No permite el ingreso o la salida de mascotas. El receptor SmartDoor™ sale de fábrica en modo BLOQUEADO y se encenderá en dicho modo cuando se coloquen las pilas. *Configuración:* presione el botón RESETEAR MODO hasta que se encienda la luz roja y suéltelo cuando lo haya seleccionado.

**Modo DESBLOQUEADO** – Permite el ingreso y la salida de todas las mascotas. *Configuración:* presione el botón RESTEAR MODO hasta que se encienda la luz verde y suéltelo cuando lo haya seleccionado.

**Modo AUTOMÁTICO** – Sólo permite el ingreso y la salida de mascotas que tengan un transmisor SmartKey™ programado. *Configuración:* presione el botón RESETEAR MODO hasta que se encienda la luz amarilla y suéltelo cuando lo haya seleccionado. Es posible programar hasta cinco transmisores SmartKey™ para un sólo receptor SmartDoor™ a fin de restringir el ingreso y la salida de determinadas mascotas cuando el dispositivo se encuentra en modo AUTOMÁTICO.

**NOTA:** Si en algún momento la luz roja permanece encendida, reemplace las pilas. Comuníquese con el Centro de Atención al Cliente para obtener ayuda si el problema persiste.

Si alguno de los pasos del punto C falló, comuníquese con nuestro Centro de Atención al Cliente para obtener ayuda.

## D. Verifique el lugar donde instalará la puerta SmartDoor™ antes de instalarla

### **NO quite la ETIQUETA DE SENSIBILIDAD ANTES DE INSTALAR EL RECEPTOR SMARTDOOR™**

Antes de instalar el receptor SmartDoor™, le recomendamos verificar que el lugar donde lo instalará es el adecuado para su funcionamiento. Verifique que no existan grandes interferencias de radiofrecuencia. Los electrodomésticos y demás artefactos electrónicos comunes deben estar a una distancia mínima de dos pies (60 cm) del lugar donde se instaló el receptor SmartDoor™. La interferencia de radiofrecuencia emitida por los electrodomésticos u otros artefactos electrónicos comunes afectará negativamente la capacidad del receptor SmartDoor™ de recibir las señales del transmisor SmartKey™. Los electrodomésticos y artefactos típicos que pueden causar interferencia son computadoras portátiles, teléfonos inalámbricos, microondas, televisores, abridores de puertas de garaje, artefactos electrónicos manuales (por ejemplo, teléfonos celulares, consolas de juego y controles remotos).

La etiqueta adherida a la perilla de sensibilidad no debe quitarse hasta después de haber instalado el producto, ya que éste sale de fábrica con el nivel de sensibilidad configurado al máximo para casi todas las formas de instalación.

Recomendamos instalar la puerta SmartDoor™ en un lugar donde no esté expuesta a la acción directa del viento. Rango de temperatura operativa: -5° F a 180° F (-20,5° C a 82° C). Rango de humedad operativa: 0 a 99,9%.

- Coloque el receptor SmartDoor™ directamente enfrente de la puerta o lugar donde desea instalarlo y en posición vertical para verificar si la tecnología de radiofrecuencia del receptor SmartDoor™ funciona correctamente. Después de realizar los pasos A-C, coloque el receptor SmartDoor™ en el modo AUTOMATIC y sostenga el transmisor SmartKey™ directamente en frente del receptor SmartDoor™. El panel vaivén de la puerta con el receptor SmartDoor™ debería desbloquearse en tres segundos. Recuerde que el transmisor SmartKey™ incluido en el kit ya está programado para usarse con el receptor SmartDoor™.

**NOTA:** Si en la vivienda hay otros transmisores SmartKey™, quite todas las baterías (RFA-67) durante el tiempo en que realiza la maniobra del paso D, excepto por la del transmisor SmartKey™ incluido con el receptor SmartDoor™ en cuestión.

Si la puerta SmartDoor™ no se desbloquea, llévala a otro lugar y vuelva a repetir las indicaciones de los pasos A-D. Si el receptor SmartDoor™ no funciona en el lugar de la prueba, comuníquese con nuestro Centro de Atención al Cliente para obtener ayuda.

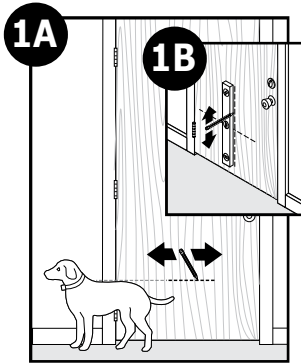
Después de concluir con éxito todas las indicaciones de los pasos A-D, la puerta SmartDoor™ está lista para su instalación.

# INSTALACIÓN

## Cómo instalar el receptor SmartDoor™

### Paso 1 Seleccione el lugar donde instalará la puerta para mascotas

# 1



**1A** Mida la altura del hombro de su mascota y márquela en la puerta donde instalará la puerta para mascotas.

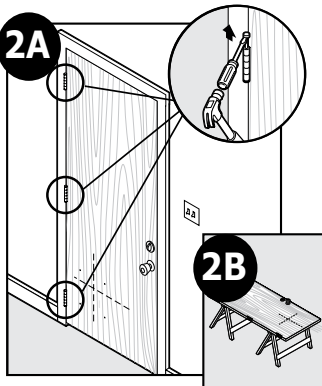
**1B** Defina el lugar donde colocará la puerta para mascotas. Trace una línea vertical central a través de la línea que indica la altura del hombro de su mascota utilizando un nivel.

### AVISO

Si la puerta o el lugar donde instalará la puerta para mascotas no están nivelados, marque la puerta para mascotas de modo tal que quede nivelada y así pueda abrirse y cerrarse correctamente.

### Paso 2 Cómo preparar la puerta

# 2

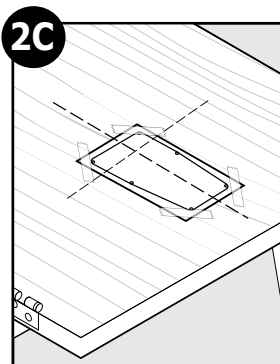


**2A** Quite la puerta de las bisagras.

**2B** Coloque la puerta en una superficie elevada y nivelada, por ejemplo, sobre caballetes.

**Consejo útil:** Sujete la puerta con abrazaderas o coloque peso sobre la misma para evitar que se mueva.

**NOTA:** Dependiendo de sus habilidades, es posible instalar la puerta para mascotas sin quitar la puerta.



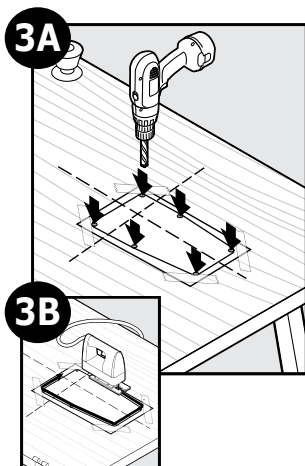
**2C** Haga coincidir las líneas marcadas en la puerta con las líneas centrales y del hombro de la mascota que se observan en la plantilla. Adhiera la plantilla con cinta.

### AVISO

Al colocar la plantilla, deje al menos 3" (7,6 cm) entre la parte inferior y los laterales de la puerta y el borde exterior de la plantilla para conservar la integridad estructural de la puerta.

## Paso 3 Corte el hueco donde se colocará la puerta para mascotas

# 3



**3A** Sin quitar la plantilla, perforo orificios de  $\frac{3}{8}$ " (10 mm) en las esquinas interiores de la plantilla; éstos le servirán de guía al cortar con una sierra.

**Consejo útil:** Utilice ambas manos para mantener el taladro firme y derecho en un ángulo de 90°.

**3B** Comience a cortar por uno de los orificios que perforó siguiendo las líneas de la plantilla. Quite la plantilla al terminar. Es posible que deba volver a cortar para emparejar el corte. Esto es necesario para que el marco de la puerta para mascotas encaje correctamente.

**Consejo útil:** Utilice una sierra con la hoja adecuada según el material de la puerta (por ejemplo, si tiene una puerta de madera, utilice una hoja para madera, y si tiene una puerta de metal, utilice una hoja para metal). Utilice ambas manos para mantener la sierra firme y derecha a un ángulo de 90° y así cortar lentamente; de esta manera, evitará cortar la parte interior y exterior de la puerta de manera despareja.

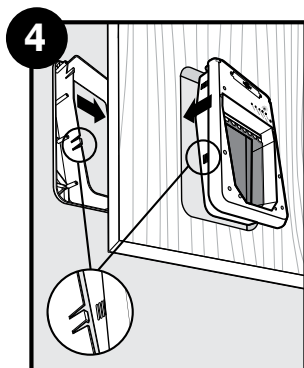
### AVISO

Asegúrese de que no haya nada debajo de la puerta en el lugar donde perforará los orificios o cortará el hueco.

## Paso 4 Instale la puerta para mascotas

# 4

✓ Antes de guardar la sierra de mano, coloque el marco interior (el marco con el panel vaivén) en el hueco y asegúrese de que encaje correctamente. Luego coloque el marco exterior en la parte inferior de la puerta para verificar que también encaje. Si los marcos no entran en el hueco realizado, deberá agrandarlo antes de instalar la puerta para mascotas.

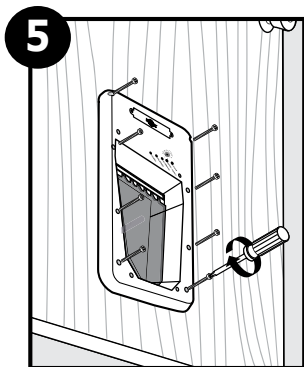


**4** Vuelva a colocar la puerta en su lugar y coloque el marco interior con el panel vaivén en el hueco que cortó. Coloque el marco exterior en la parte de afuera de la puerta y presione con fuerza el marco interior y exterior con ambas manos. Continúe ejerciendo presión con ambas manos mientras recorre los marcos de arriba hacia abajo hasta que las lengüetas se traben y los marcos queden firmes.

**Consejo útil:** Coloque cinta de enmascarar en el marco interior de la puerta SmartDoor™ para adherirlo a la puerta donde instalará la puerta para mascotas y evitar así que ésta se mueva cuando coloca el marco exterior.

## Paso Coloque los tornillos

# 5



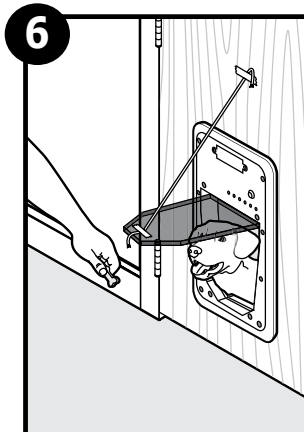
**5** Coloque los tornillos de montaje en el marco interior y hágalos coincidir con el marco exterior. Ajustelos con un destornillador. **NO LOS AJUSTE DEMASIADO.**

**Consejo útil:** Si utiliza un destornillador eléctrico, emplee la potencia más baja.

**NOTA:** El tamaño pequeño de la puerta SmartDoor™ tiene cuatro orificios para colocar tornillos, y el tamaño grande, ocho.

## Paso Adiestre a su mascota

# 6



**6** Mantenga abierto el panel vaivén de la puerta para mascotas para que su mascota se familiarice con el nuevo dispositivo. Cuando su mascota ya esté más acostumbrada, suelte el panel vaivén y haga funcionar el receptor SmartDoor™ en el modo DESBLOQUEADO y aliente a su mascota a que empuje el panel vaivén. Una vez que su mascota se acostumbró a entrar y salir cuando el panel vaivén está cerrado, coloque el receptor SmartDoor™ en el modo AUTOMÁTICO y hágalo funcionar con el transmisor SmartKey™ programado de su mascota. Camine junto con su mascota hasta el receptor SmartDoor™ para que detecte el transmisor SmartKey™ y el panel vaivén se desbloquee. Continúe adiestrando a su mascota para que se dirija hacia el receptor SmartDoor™ y empuje el panel vaivén para pasar al otro lado.

**Consejo útil:** Recompense a su mascota para que empuje el panel vaivén de la puerta SmartDoor™.

**NOTA:** La puerta SmartDoor™ está equipada con un motor eléctrico que suelta y desbloquea el panel vaivén al detectar la señal de un transmisor SmartKey™. No permita que su mascota atraviese corriendo o golpee la puerta SmartDoor™. Es posible que debido a diversas interferencias de radiofrecuencia, el receptor SmartDoor™ tarde varios segundos antes de leer el código único del transmisor SmartKey™ y desbloquear el panel vaivén de la puerta para mascotas.

## **CONFIGURACIÓN**

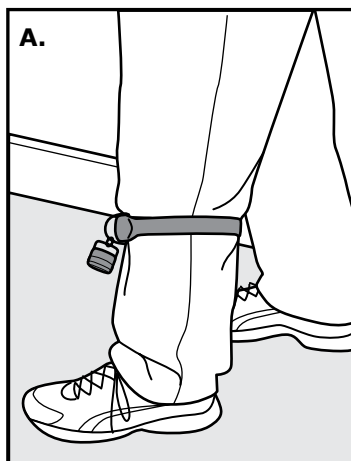
### **A. Cómo configurar el nivel de sensibilidad del receptor SmartDoor™**

Es necesario configurar el nivel de sensibilidad del receptor SmartDoor™ para que el transmisor SmartKey™ de su mascota funcione correctamente debido al material o el lugar donde se instaló la puerta para mascotas; por ejemplo, interferencias de radiofrecuencia o puertas de metal o madera.

Al principio, recomendamos utilizar la argolla (incluida en el kit) para colocar el transmisor SmartKey™ en el collar de su mascota. No utilice identificaciones de metal

porque pueden causar interferencia de radiofrecuencia y evitar que el receptor detecte la señal del transmisor SmartKey™ de su mascota. Una vez que el producto ya está en uso, continúe con los siguientes pasos:

1. Colóquese el collar de su perro en la pierna, justo debajo de la rodilla. Si fuera necesario, ajuste el collar con cinta. Ver Figura A.
2. Párese directamente enfrente del receptor SmartDoor™ para que el transmisor SmartKey™ quede a una distancia aproximada de 2,5 pies (76 cm).
3. Coloque el receptor SmartDoor™ en el modo DESBLOQUEADO. (Consulte la página 6 para saber cómo hacerlo).
4. Coloque el receptor SmartDoor™ en el modo Sensitivity Test [Prueba de sensibilidad] presionando los botones RESETEAR MODO y APRENDER al mismo tiempo hasta que las tres luces parpadeen una vez.
5. Gire la perilla de sensibilidad en el sentido contrario a las agujas del reloj hasta su posición más baja, luego hágala girar en el sentido de las agujas del reloj hasta que todas las luces comiencen a parpadear nuevamente.
6. Continúe girando suavemente la perilla de sensibilidad en el sentido de las agujas del reloj hasta ver que las luces parpadearon seis veces como mínimo. No ajuste la sensibilidad más alta de lo necesario.
7. Coloque el receptor SmartDoor™ en modo AUTOMÁTICO y aléjese al menos 10 pies (3 m), dejando que la puerta se bloquee automáticamente. Esto puede demorar hasta quince segundos una vez que no se detecta la señal del transmisor SmartKey™.
8. Ahora confirme el nivel de sensibilidad acercándose nuevamente al receptor SmartDoor™. La puerta se debería desbloquear cuando se acerca a una distancia aproximada de 2 pies (60 cm) enfrente del receptor SmartDoor™.



## B. Para comprender el área activa y de sensibilidad

El área activa es la zona donde la puerta SmartDoor™ se abrirá sistemáticamente de acuerdo con el nivel de sensibilidad programado. En la zona periférica, la puerta SmartDoor™ puede abrirse de manera irregular debido a las diferentes interferencias de radiofrecuencia o reflejos. Por lo general, la puerta no se desbloqueará automáticamente en el área inactiva.

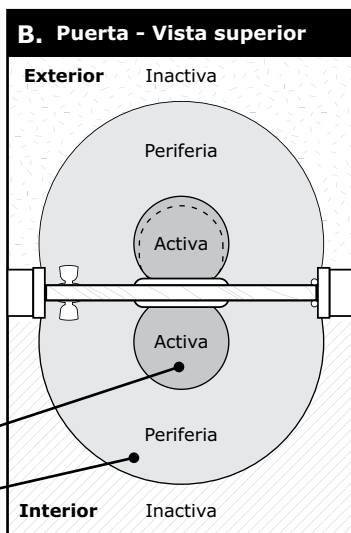
**Consulte el punto B.**

Puede observar leves diferencias entre las áreas activas interna y externa debido a las interferencias de radiofrecuencia.

**Según el lugar  
y el material**

~ 2,5 pies (76 cm)

~ 6 pies (183 cm)

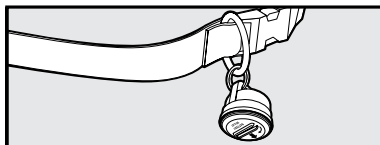


## C. Cómo programar un transmisor SmartKey™ nuevo

Para reducir la posibilidad de cometer errores durante la programación, extraiga la batería RFA-67 de todos los transmisores SmartKey™ excepto del que está programando. Presione y mantenga presionado el botón APRENDER hasta que la luz verde se encienda y comience a parpadear; suelte el botón en este momento. Acerque el transmisor SmartKey™ directamente a la luz verde; la luz dejará de parpadear y quedará fija durante dos segundos. Ya programó su transmisor SmartKey™ y lo agregó a la memoria. Puede agregar hasta cinco transmisores SmartKey™, uno por vez.

## D. Coloque el transmisor SmartKey™ en el collar de su mascota

El kit incluye una argolla para colocar en el collar y que cuelgue del cuello de su mascota.



El receptor SmartDoor™ incluye un transmisor SmartKey™ que viene programado y listo para usar.

## **FUNCIONAMIENTO**

### Cómo funciona el receptor SmartDoor™

**MODO BLOQUEADO:** No permite el ingreso o la salida de mascotas. El receptor SmartDoor sale de fábrica en modo BLOQUEADO y se encenderá en dicho modo cuando se coloquen las pilas. Configuración: presione el botón RESETEAR MODO hasta que se encienda la luz roja y suéltelo cuando lo haya seleccionado.

**Modo DESBLOQUEADO:** Permite el ingreso y la salida de todas las mascotas. Configuración: presione el botón RESETEAR MODO hasta que se encienda la luz verde y suéltelo cuando lo haya seleccionado.

**Modo AUTOMÁTICO:** Sólo permite el ingreso y la salida de mascotas que tengan un transmisor SmartKey™ programado; es posible programar hasta cinco transmisores SmartKey™ para restringir el ingreso y la salida de determinadas mascotas durante el funcionamiento en modo automático. Configuración: presione el botón RESETEAR MODO hasta que se encienda la luz amarilla y suéltelo cuando lo haya seleccionado.

**NOTA:** Si en algún momento la luz roja permanece encendida, reemplace las pilas. Comuníquese con el Centro de Atención al Cliente para obtener ayuda si el problema persiste.

Color de la luz	Situación	Estado de la puerta para mascotas
ROJA	Fija únicamente durante dos segundos después de seleccionar el modo BLOQUEADO	Modo BLOQUEADO
	Intermitente	Señal de poca batería
	Fija todo el tiempo	Ocurrió una falla interna
VERDE	Fija únicamente durante dos segundos después de seleccionar el modo DESBLOQUEADO	Modo DESBLOQUEADO
	Intermitente	Modo Learn
AMARILLA	Fija únicamente durante dos segundos después de seleccionar el modo AUTOMÁTICO	Modo AUTOMÁTICO
	Intermitente	Señal de error
ROJA, VERDE Y AMARILLA	Intermitente al mismo tiempo	Modo de prueba de la sensibilidad

# Resolución de problemas

<p>El receptor SmartDoor™ no responde a la señal del transmisor SmartKey™ en un lapso de tres segundos después que la mascota se encuentra directamente enfrente de la puerta para mascotas.</p>	<ul style="list-style-type: none"><li>• Verifique que el receptor SmartDoor™ esté en modo AUTOMÁTICO.</li><li>• Verifique que el transmisor SmartKey™ haya sido programado para interactuar con el receptor SmartDoor™.</li><li>• Verifique que el nivel de sensibilidad haya sido fijado correctamente. Consulte la página 10.</li><li>• Verifique que la batería RFA-67 del transmisor SmartKey™ esté firme.</li><li>• Verifique que las pilas del receptor SmartDoor™ sean nuevas.</li><li>• Si el problema persiste, verifique que no haya aparatos que emitan señales de radiofrecuencia o aparatos electrónicos que irradian energía eléctrica que puedan interferir en el funcionamiento del receptor SmartDoor™.</li></ul>
<p>La luz amarilla está intermitente</p>	<ul style="list-style-type: none"><li>• Algo está obstruyendo el panel vaivén de la puerta para mascotas.</li><li>• Presione el botón RESETEAR MODO para hacer que el receptor SmartDoor™ intente cerrar el panel vaivén de la puerta para mascotas. Elimine todo lo que pudiera impedir que el panel se cierre. Cuando el panel logra cerrarse, la puerta para mascotas reanuda su funcionamiento normal.</li><li>• Si la puerta SmartDoor™ de tamaño grande no se cierra adecuadamente debido a la acción constante del viento o a la variación entre la presión del interior y el exterior, puede comprar un kit adicional con imanes para ayudar a centrar el panel vaivén de la puerta para mascotas. Comuníquese con el Centro de Atención al Cliente para obtener más ayuda.</li></ul>
<p>La luz roja permanece encendida (ocurrió una falla interna)</p>	<ul style="list-style-type: none"><li>• Quite las pilas y reemplácelas por otras nuevas. Si el problema persiste, comuníquese con el Centro de Atención al Cliente al 1-800-732-2677 para obtener ayuda.</li></ul>
<p>La luz roja parpadea</p>	<ul style="list-style-type: none"><li>• Indica que las pilas se están agotando; reemplácelas.</li></ul>
<p>Las luces roja, verde y amarilla parpadean</p>	<ul style="list-style-type: none"><li>• Se activó el modo para configurar la sensibilidad. Se desactivará automáticamente en treinta minutos o puede hacerlo de inmediato presionando el botón RESETEAR MODO una vez.</li></ul>

## Cómo volver el transmisor SmartKey™ a los parámetros prefijados en fábrica

Se pueden eliminar todas las señales programadas de otros transmisores SmartKey™ a excepción del que viene de fábrica. Para hacerlo, primero saque las pilas del compartimento para pilas. Luego, colóquelas nuevamente y presione el botón APRENDER. Con las pilas colocadas y con el botón APRENDER presionado, las luces roja y verde se encenderán tres veces. De este modo, se eliminaron todas las señales programadas de transmisores SmartKey™ a excepción de la señal del transmisor incluido junto con el receptor SmartDoor™.

## Cómo borrar la memoria del transmisor SmartKey™

Es posible borrar todas las señales programadas de transmisores SmartKey™ del receptor SmartDoor™, incluso la señal del transmisor que viene de fábrica. Para hacerlo, saque las pilas del compartimento para pilas. Luego, colóquelas nuevamente y presione el botón APRENDER. Con las pilas colocadas y con el botón APRENDER presionado, las luces roja y verde se encenderán tres veces. De este modo, borró todas las señales de los transmisores SmartKey™.

## Piezas y accesorios de repuesto

Para comprar piezas de repuesto para su equipo SmartDoor™ de PetSafe®, comuníquese con el Centro de Atención al Cliente al 1-800-732-2677 o visite nuestro sitio web en [www.petsafe.com](http://www.petsafe.com) para encontrar el distribuidor más cercano a su domicilio.



## Atención al Cliente Internacional

Canadá: 1-800-732-2677  
Reino Unido: 0800 046 1414  
Europa: 00 800 18 18 20 20

Australia: 1800 786 608  
Nueva Zelanda: 0800 543 054

Componente	Número de pieza
SmartKey™	PAC11-11405
Batería RFA-67 de PetSafe®	RFA-67
Panel vaivén de repuesto (pequeño)	CPA11-11580/MPA00-12830
Panel vaivén de repuesto (grande)	CPA11-11579/MPA00-12829
Kit de accesorios (pequeño)	CPA00-11617/MPA00-12814
Kit de accesorios (grande)	CPA00-11618/MPA00-12815
Kit de conversión para instalación en paredes (pequeño)	MPA11-12019
Kit de conversión para instalación en paredes (grande)	MPA11-12020
Túnel de extensión (grande)	CPA00-12021/MPA00-12820
Kit de accesorios de repuesto - conversión para instalación en paredes (pequeño)	CPA00-12054/MPA00-12821
Kit de accesorios de repuesto - conversión para instalación en paredes (grande)	CPA00-12055/MPA00-12822

Este producto está cubierto por una garantía limitada del fabricante. Encontrará una descripción detallada de los términos y condiciones de la garantía en [www.petsafe.com](http://www.petsafe.com). También puede enviar un sobre con estampilla y su domicilio a PetSafe Ltd., Redthorn House, Unit 9, Chorley West Business Park, Ackhurst Road, Chorley, Lancashire PR7 1NL, Reino Unido.

## Condiciones de uso y limitación de responsabilidad

### 1. Condiciones de uso

Este producto se le ofrece a condición de que acepte, sin modificaciones, los siguientes términos, condiciones y observaciones. El uso de este producto implica la aceptación de la totalidad de dichos términos, condiciones y observaciones.

### 2. Uso apropiado

Este producto está diseñado para adiestrar mascotas. Según el temperamento de la mascota, es posible que este no sea el producto más adecuado a su caso. Si tiene dudas de que este sea un producto adecuado para su mascota, consulte al veterinario o a un adiestrador calificado. El uso apropiado incluye la lectura de toda esta guía de uso del producto y todas sus precauciones específicas.

### 3. Sobre el uso ilícito o prohibido

Este producto está diseñado para ser usado solamente con mascotas. Es un dispositivo de adiestramiento, cuyo fin no es causar daño, lesiones o incitar la agresividad de la mascota. El uso de este producto de alguna manera que no sea aquella para la cual fue diseñado puede resultar en incumplimiento de leyes federales, estatales o locales.

### 4. Limitación de responsabilidad

En ningún caso, Radio Systems Corporation será responsable por los daños directos, indirectos, punitivos, secundarios, especiales o derivados, ni por daños que surjan o estén relacionados con el uso debido o indebido de este producto. El comprador asume todos los riesgos y responsabilidades por el uso del mismo.

### 5. Modificación de los términos y condiciones

Radio Systems Corporation® se reserva el derecho a modificar los términos, las condiciones y observaciones según los cuales se ofrece este producto.

# Pilas de perclorato

Producto con perclorato: es posible que se requieran técnicas especiales para su manipulación. Consulte [www.dtsc.ca.gov/hazardouswaste/perchlorate](http://www.dtsc.ca.gov/hazardouswaste/perchlorate).



## Aviso importante sobre reciclado

Respete las normas sobre residuos de equipos eléctricos y electrónicos de su país. Este equipo debe ser reciclado. Si ya no necesita este equipo, no lo elimine a través del sistema usual de residuos de su municipio. Devuélvalo al lugar donde lo compró para que ingrese al sistema de reciclado. Si esto no fuera posible, comuníquese con el Centro de Atención al Cliente para más información.



## Eliminación de las pilas

Algunos lugares exigen que las pilas usadas se eliminen por separado; consulte las normas de su zona antes de eliminar las pilas usadas.

### SmartDoor™:

Este dispositivo funciona con cuatro pilas alcalinas del tipo LR20/secas con una capacidad de 1,5 Volt y 18.000 mAh. Utilice únicamente pilas de este tipo.

### SmartKey™:

Este dispositivo funciona con dos baterías de litio del tipo CR 2032 con una capacidad de 3 Volt y 220 mAh. Utilice únicamente una batería de este tipo, que puede adquirirse a través del Centro de Atención al Cliente.

Consulte la página 33 para conocer cómo eliminar las pilas de estos productos en forma separada.

---

## Cumplimiento

### Comisión Federal de Comunicaciones/IC

Este aparato digital de clase B cumple con la norma canadiense ICES-003. Este equipo ha sido sometido a pruebas y se ha comprobado que cumple con la parte 15 de los reglamentos de la Comisión Federal de Comunicaciones para dispositivos digitales de clase B. Estas restricciones se establecen con el objeto de ofrecer una protección razonable contra las interferencias perjudiciales cuando los equipos se usan en ambientes residenciales. Este equipo genera, usa y puede irradiar energía de radiofrecuencia y, de no instalarse y usarse de conformidad con las instrucciones de esta guía, puede interferir negativamente en las comunicaciones radiales. No obstante, no se garantiza que no se produzcan interferencias en una instalación dada. Si este equipo llega a ocasionar interferencia en la recepción de las señales de radio o televisión, lo que puede determinarse con sólo encender y apagar el equipo, recomendamos al usuario que intente corregir la interferencia de alguna de las siguientes maneras:

- Reubicar la antena que está recibiendo la interferencia.
- Aumentar la distancia entre el equipo y el receptor.
- Conectar el equipo en un tomacorriente de un circuito diferente del circuito en el que está conectado el receptor.
- Comunicarse con el Centro de Atención al Cliente.

Este equipo cumple con las reglas de Canadá de la industria. Este equipo cumple con la parte 15 de los reglamentos de la Comisión Federal de Comunicaciones. El funcionamiento de este dispositivo está sujeto a las dos condiciones siguientes: (1) Este equipo no debe producir interferencias perjudiciales; (2) el dispositivo debe ser capaz de aceptar cualquier tipo de interferencia, incluida la que produzca efectos no deseados.

Los cambios o modificaciones que se hagan al equipo sin la autorización de Radio Systems Corporation, pueden dar lugar a que se infrinjan los reglamentos de la Comisión Federal de Comunicaciones y podría revocar el permiso del usuario para operar el equipo.



Radio Systems Corporation declara bajo su propia responsabilidad que los productos siguientes cumplen los requisitos esenciales del artículo 3 de las directivas 2014/53/EU sobre equipos radioeléctricos, 2014/30/EU sobre compatibilidad electromagnética y (EU) 2015/863 sobre sustancias restringidas. Los cambios o modificaciones no autorizados realizados en el equipo que no estén aprobados por Radio Systems Corporation pueden infringir las normas RED de la UE, podrían anular la autorización del usuario para usar el equipo y anularán la garantía.

Por la presente, Radio Systems Corporation, declara que esta parte cumple los requisitos esenciales y otras disposiciones relevantes. La declaración de conformidad se puede encontrar en: [http://www.petsafe.com/customer-care/eu\\_docs.php](http://www.petsafe.com/customer-care/eu_docs.php).

## **Australia**

Este dispositivo cumple con los requisitos de EMC correspondientes, según lo exigido por la ACMA (Australian Communications and Media Authority).