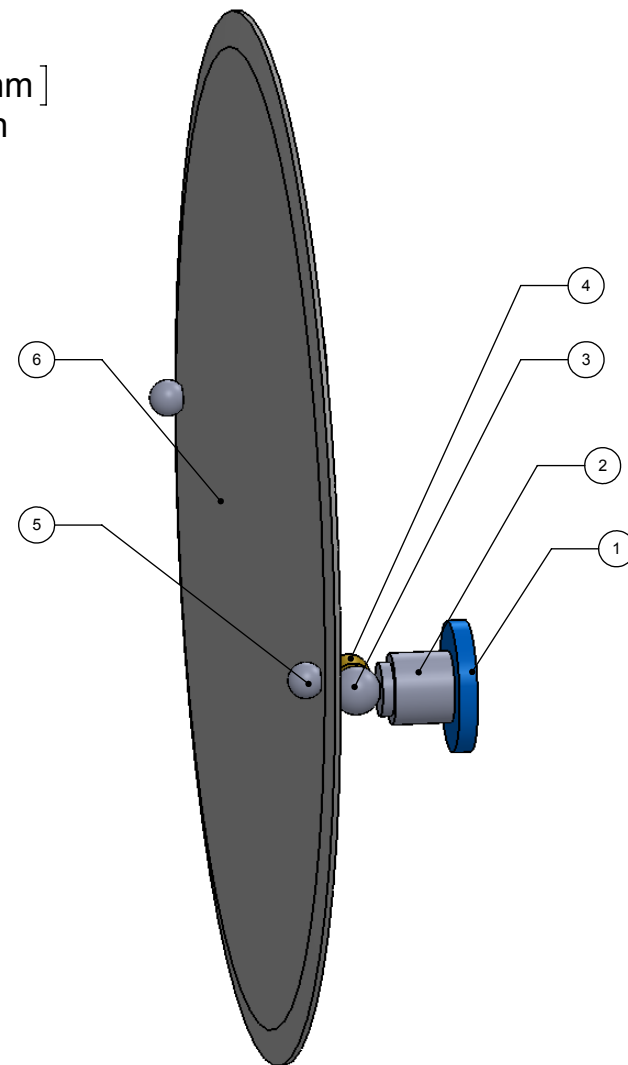
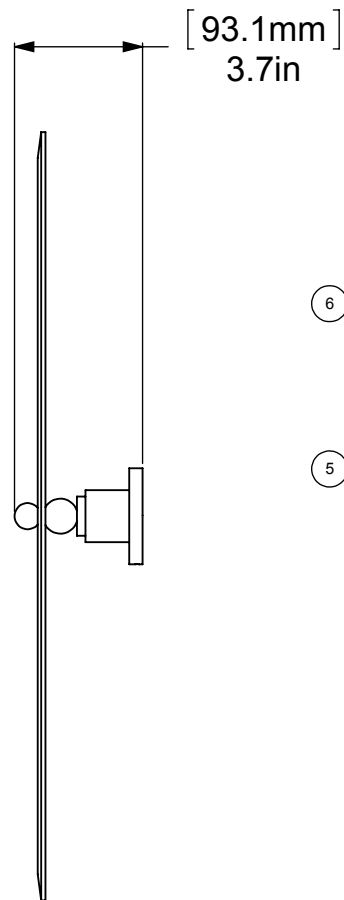
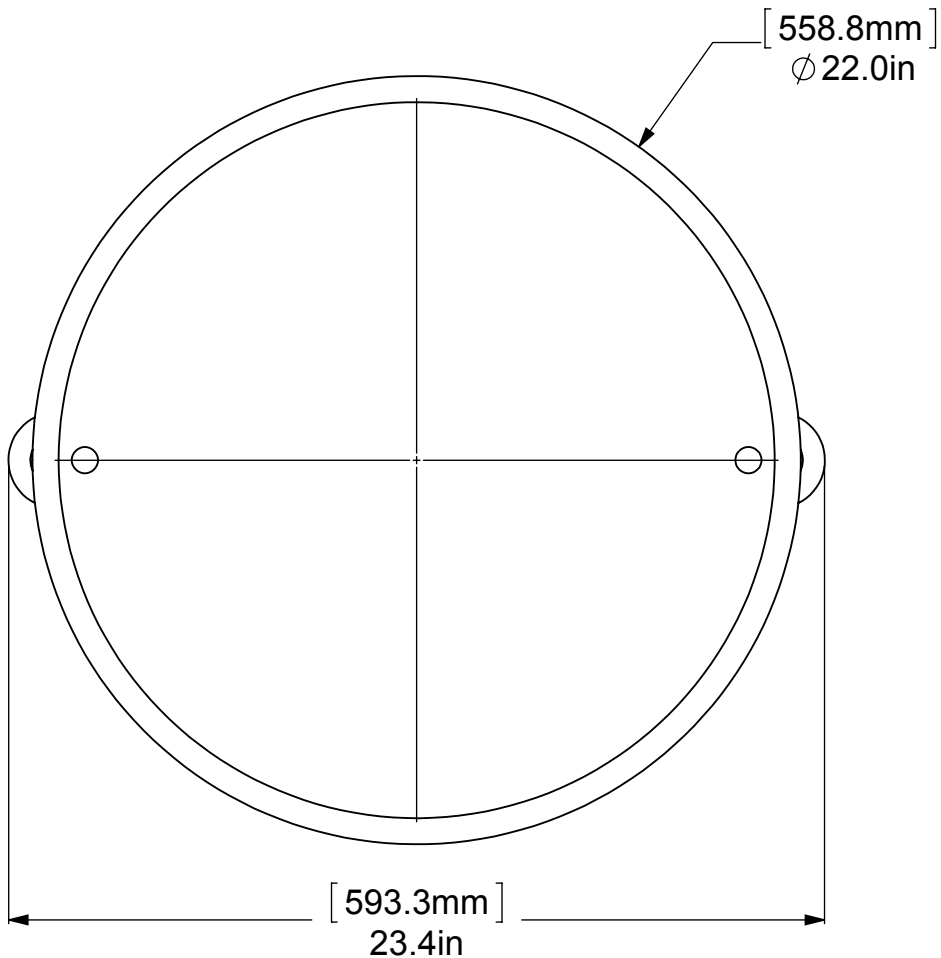
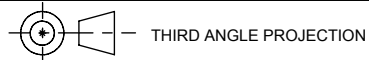


| | | | |
|---|--|--------------|---|
| 1 | | BACKPLATE | 2 |
| 2 | | SUPPORT | 2 |
| 3 | | BALL SUPPORT | 2 |
| 4 | | TILT | 2 |
| 5 | | BAL4 | 2 |
| 6 | | MIRROR | 2 |



| UNLESS OTHERWISE STATED | |
|-------------------------|---------|
| .X | ±.3mm |
| .XX | ±.15mm |
| .XXX | ±.008mm |



| | | | | | |
|----------|--|-----|---------------------|-------------|--------------|
| DRAWN | | I.M | MATERIAL: BRASS | FINISH | TBD |
| CHECKED | | P.D | DESCRIPTION: MIRROR | QUANTITY | TBD |
| APPROVED | | R.A | | DRAWING No. | REV |
| | | | SCALE | 1:5.5 | SHEET: 01 A4 |
| | | | | | 0 |