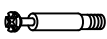






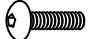



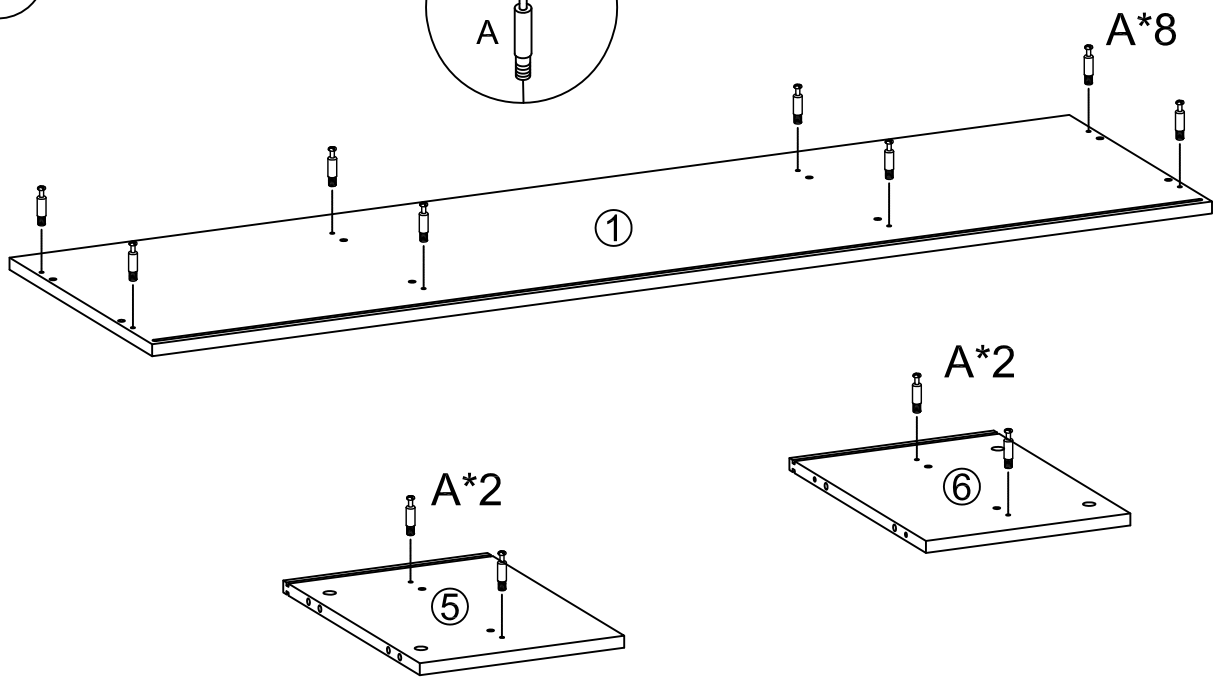
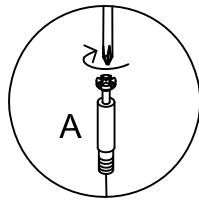


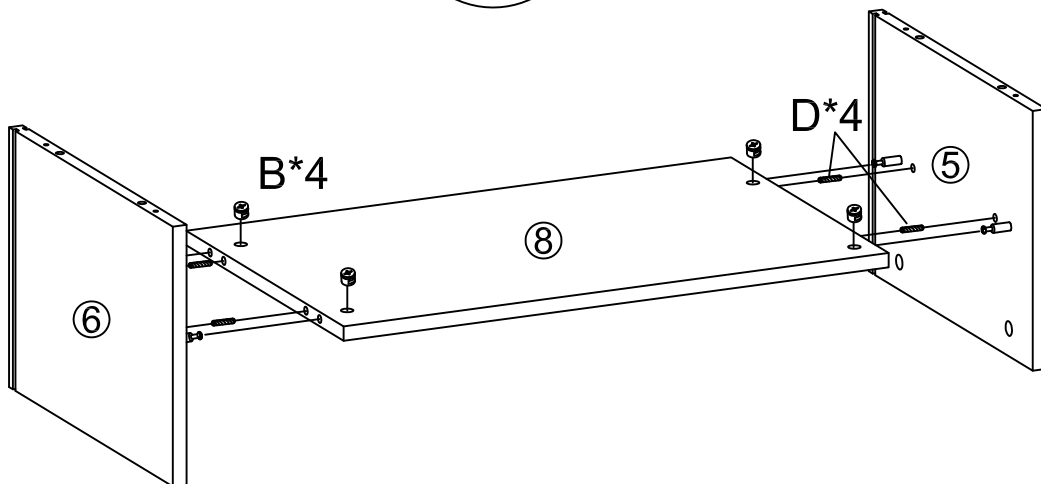
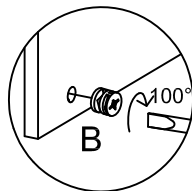
A	x12	B	x12	C	x8	D	x20	E	x36	F	x12	G	x7	H	x2
															
M6*35mm		Ø15mm		7*50mm		Ø8*30mm		Ø3.5*14mm				M6*50mm		M6*40mm	
I	x8	J	x1	K	x4										
															
		M4													

1



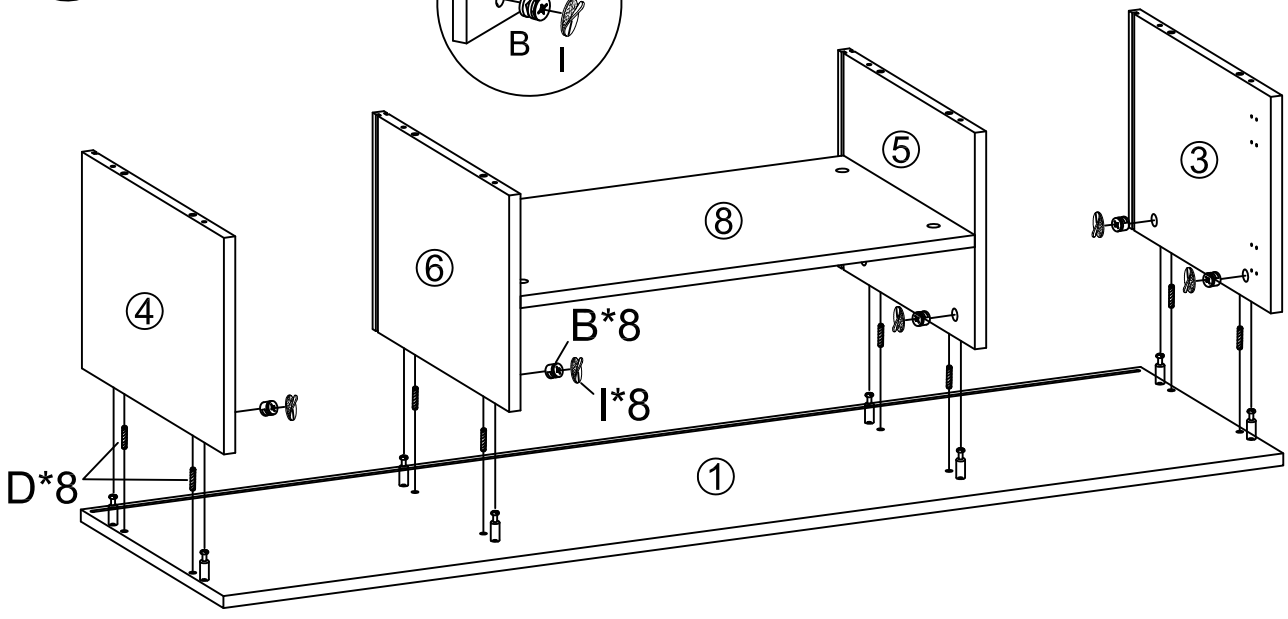
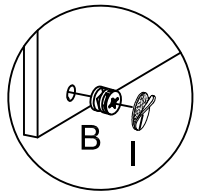
A	x12
M6*35mm	

2



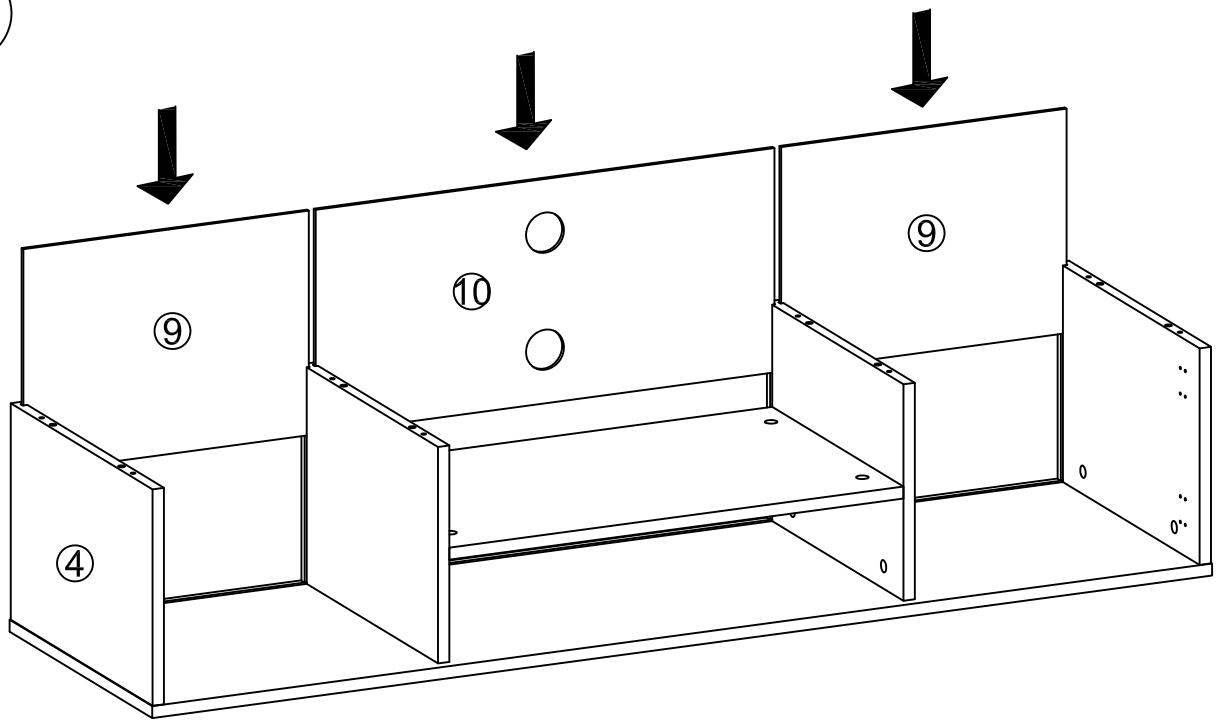
B	x4	D	x4
Ø15mm		Ø8*30mm	

3

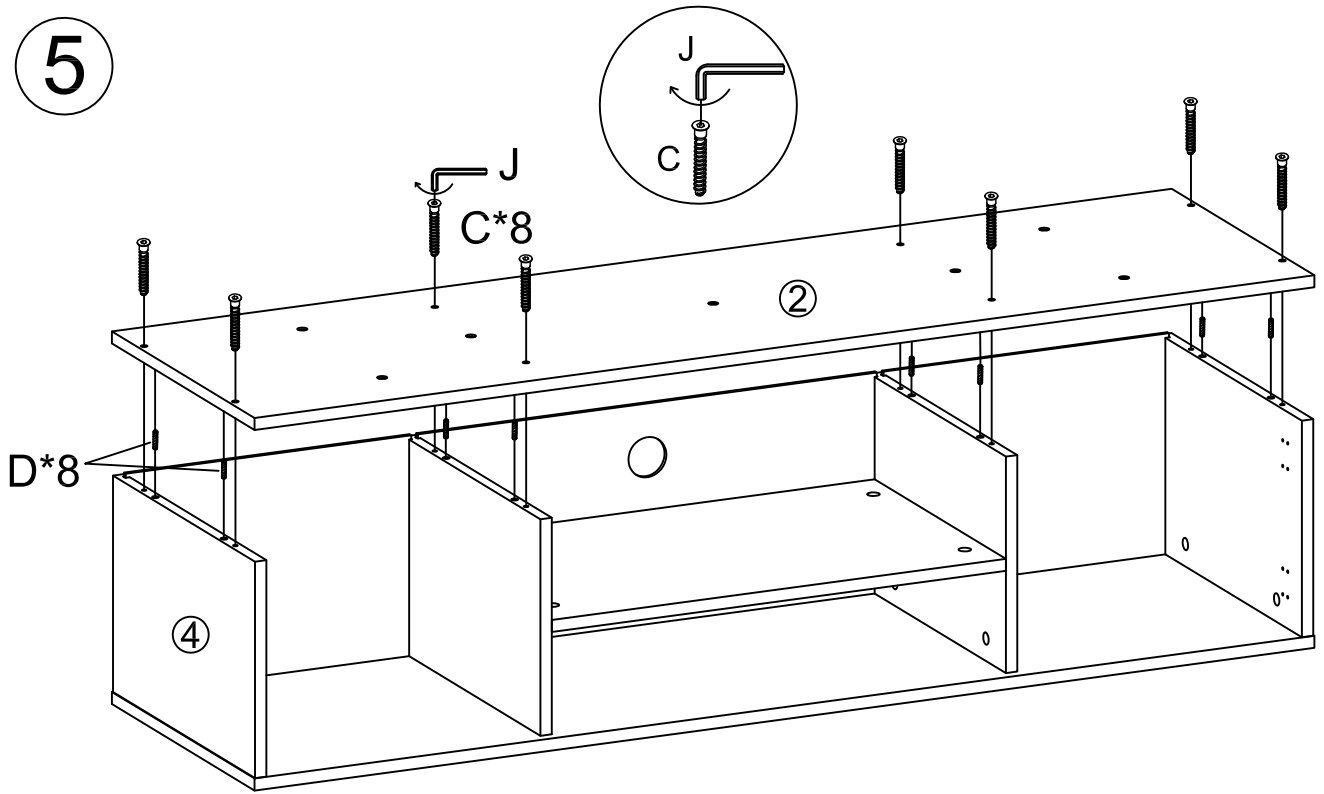



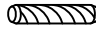

B	x8	D	x8	I	x8
Ø15mm		Ø8*30mm			

4

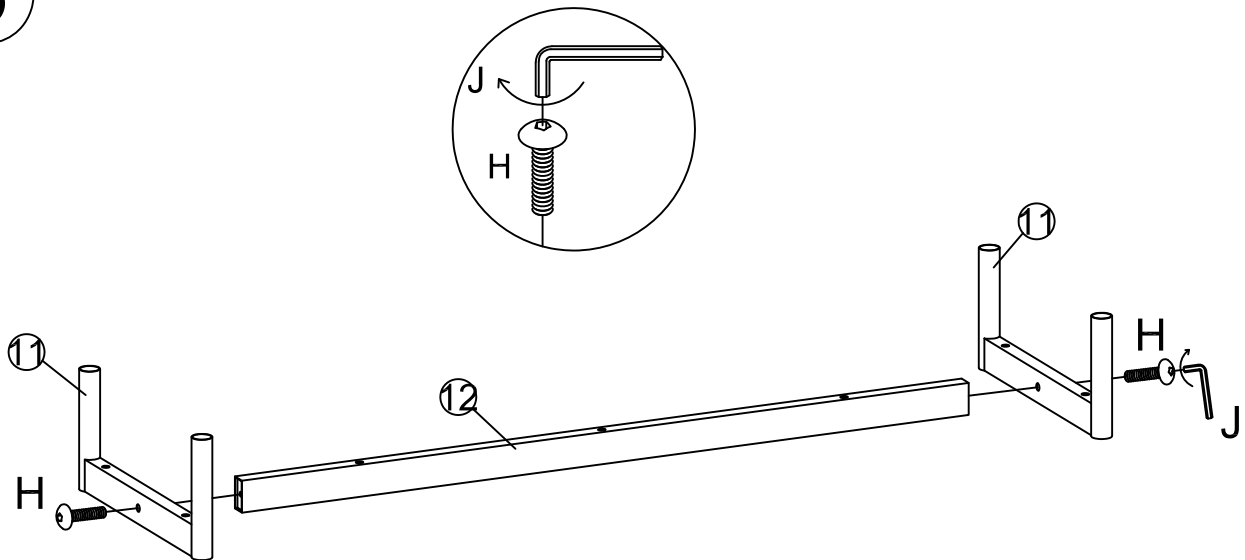


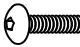

5



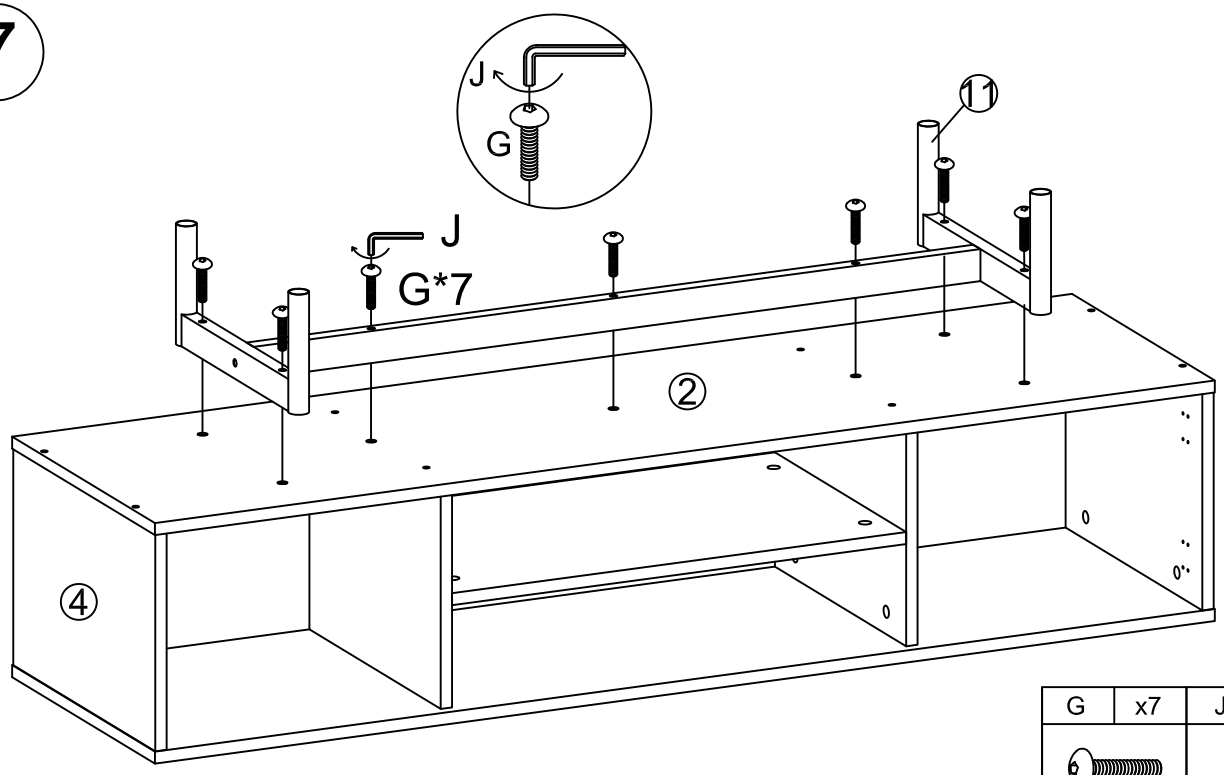
C	x8	D	x8	J	x1
					
7*50mm		Ø8*30mm		M4	



6



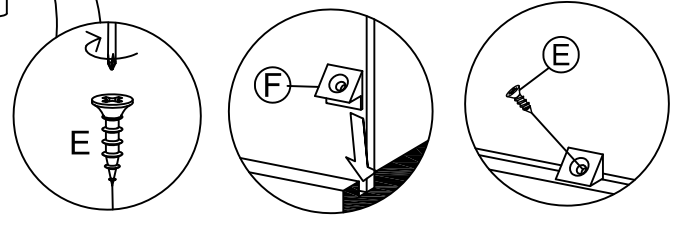
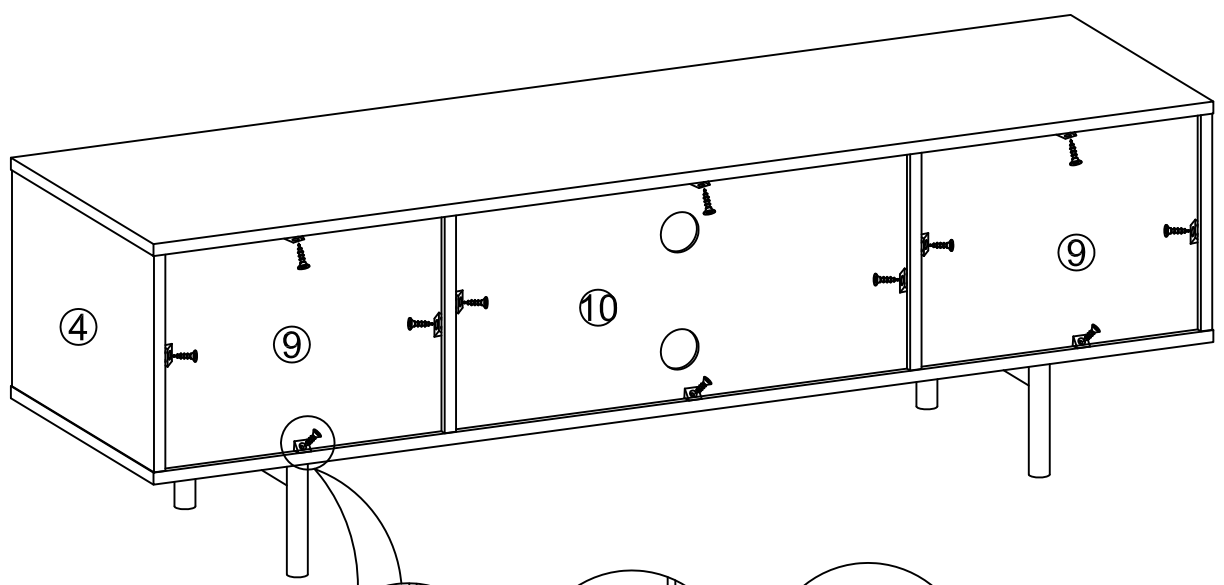
H	x2	J	x1
			
M6*40mm		M4	

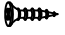

7



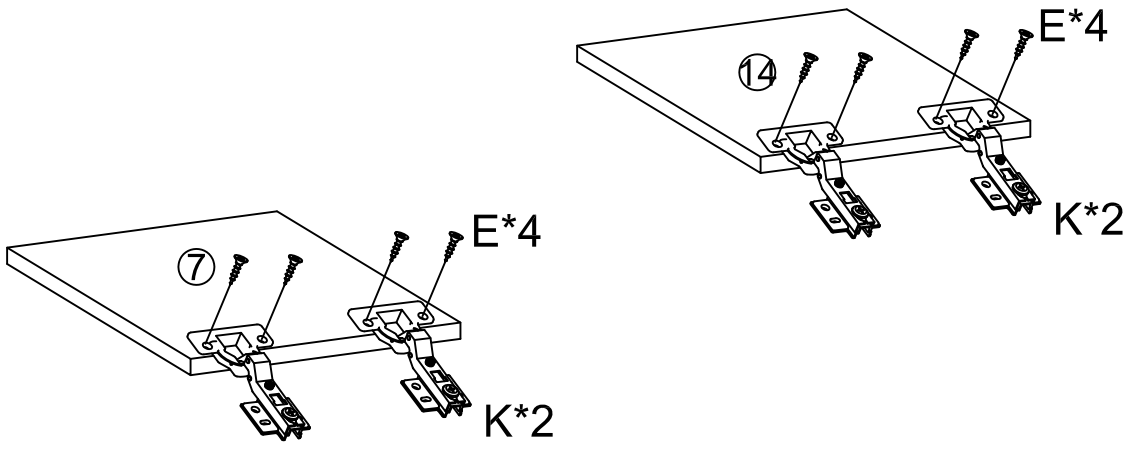
G	x7	J	x1
			
M6*50mm		M4	


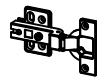
8



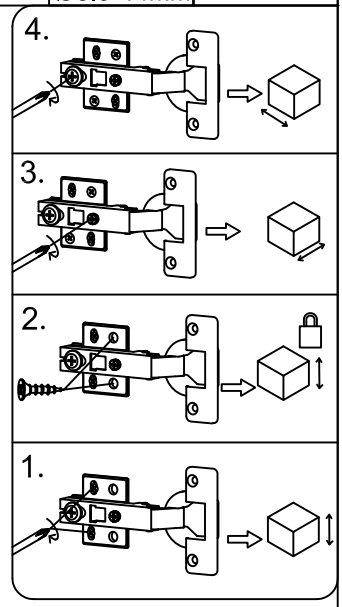
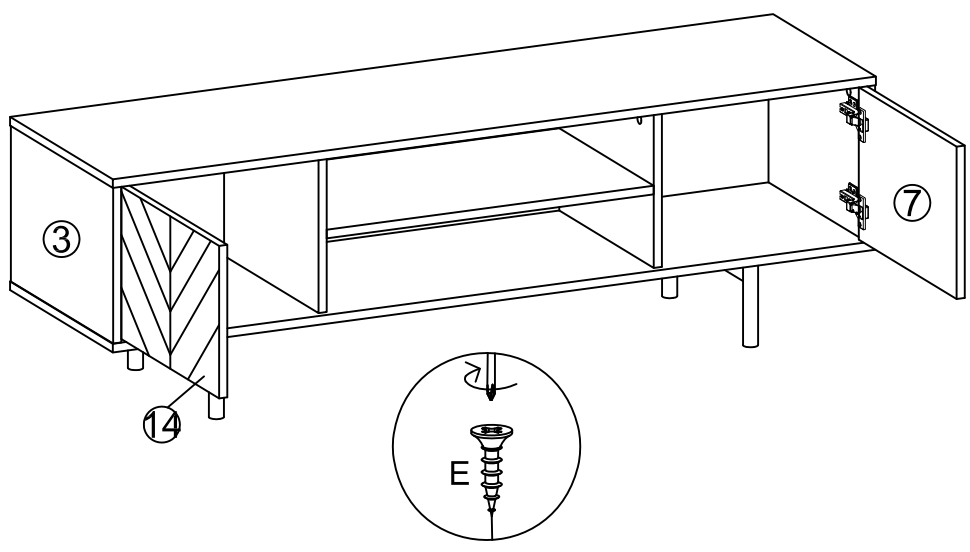
E	x12	F	x12
			
Ø3.5*14mm			


9



E	x8	K	x4
			
Ø3.5*14mm			

10



E	x16
	
Ø3.5*14mm	