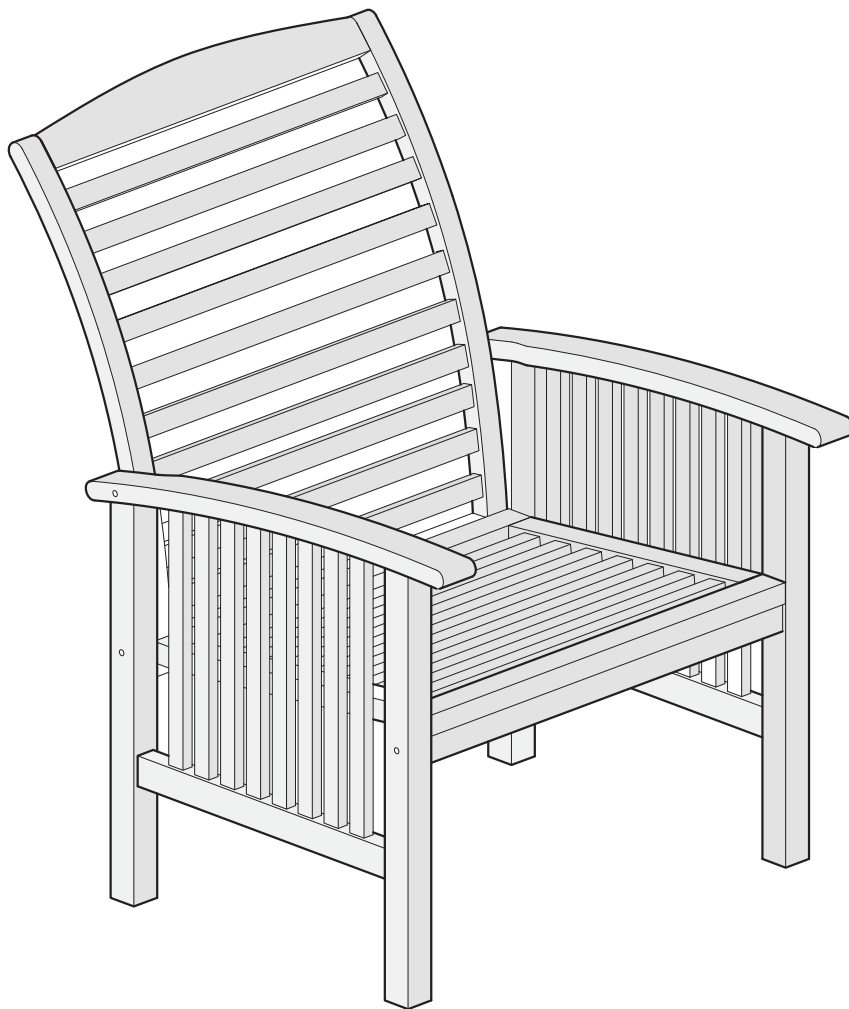
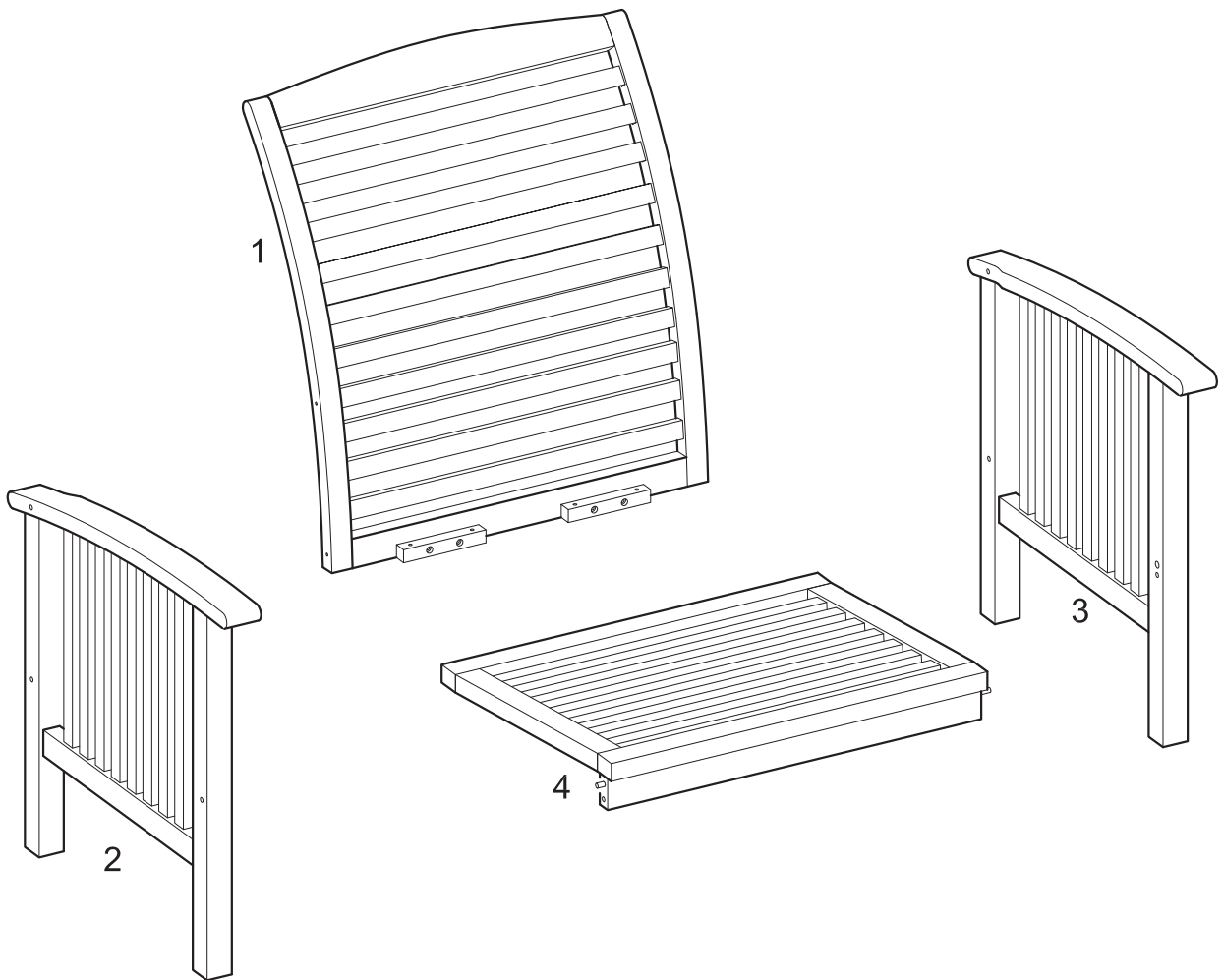


Assembly Instructions

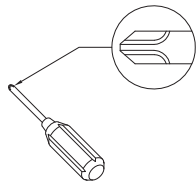


Parts List



Hardware List

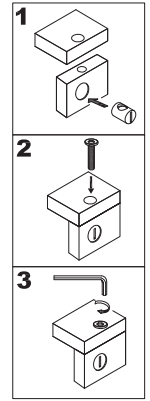
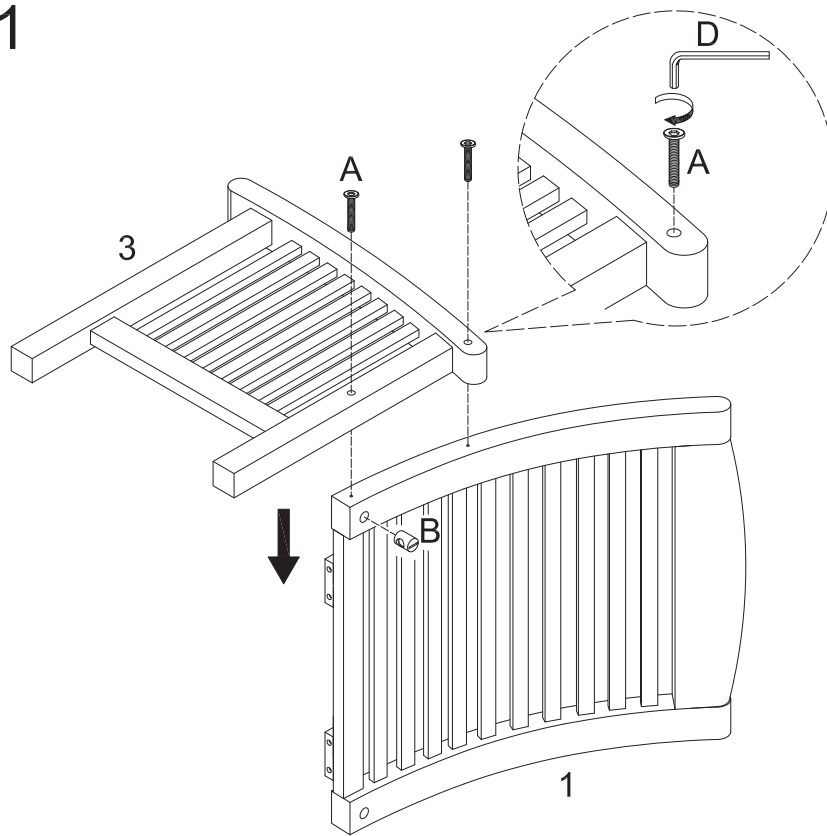
A		Ø8x80mm	Bolt	6 pcs
B			Barrel nut	4 pcs
C		Ø4x30mm	Screw	4 pcs
D			Wrench	1 pc



Phillips head screwdriver required for assembly
(not included)

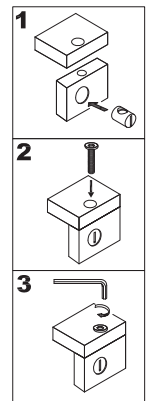
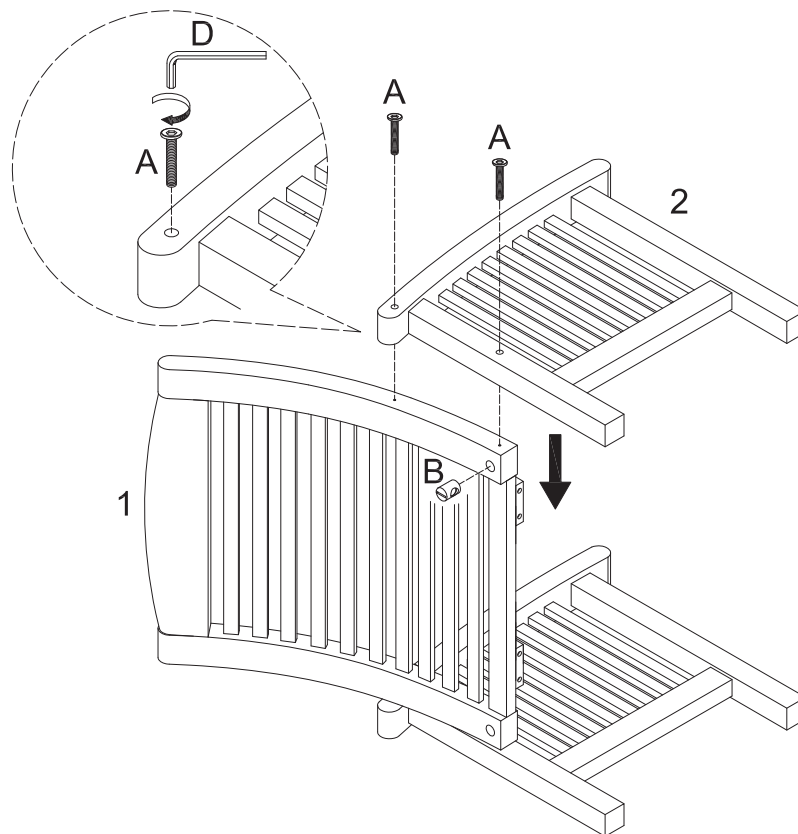
*The hardware quantities listed above are required for proper assembly.
Some extra hardware may also have been included.*

Step 1



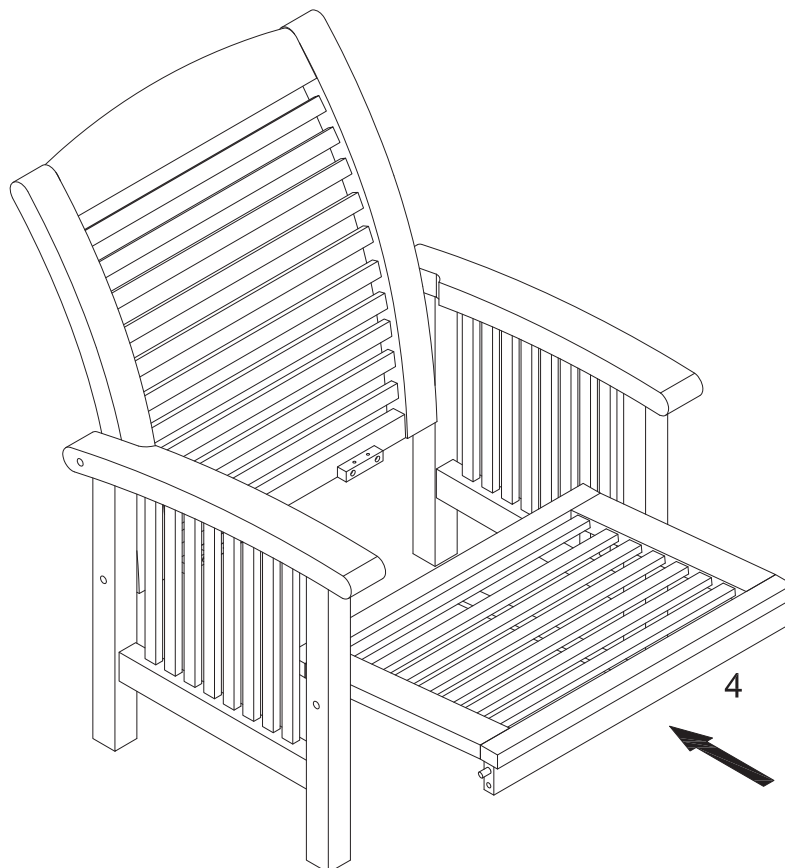
Insert barrel nut (B) into chair back (1). Attach chair side (3) to chair back (1) using bolts (A). Tighten bolts (A) with wrench (D).

Step 2



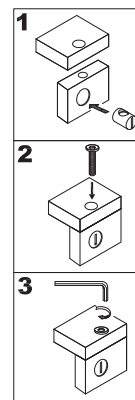
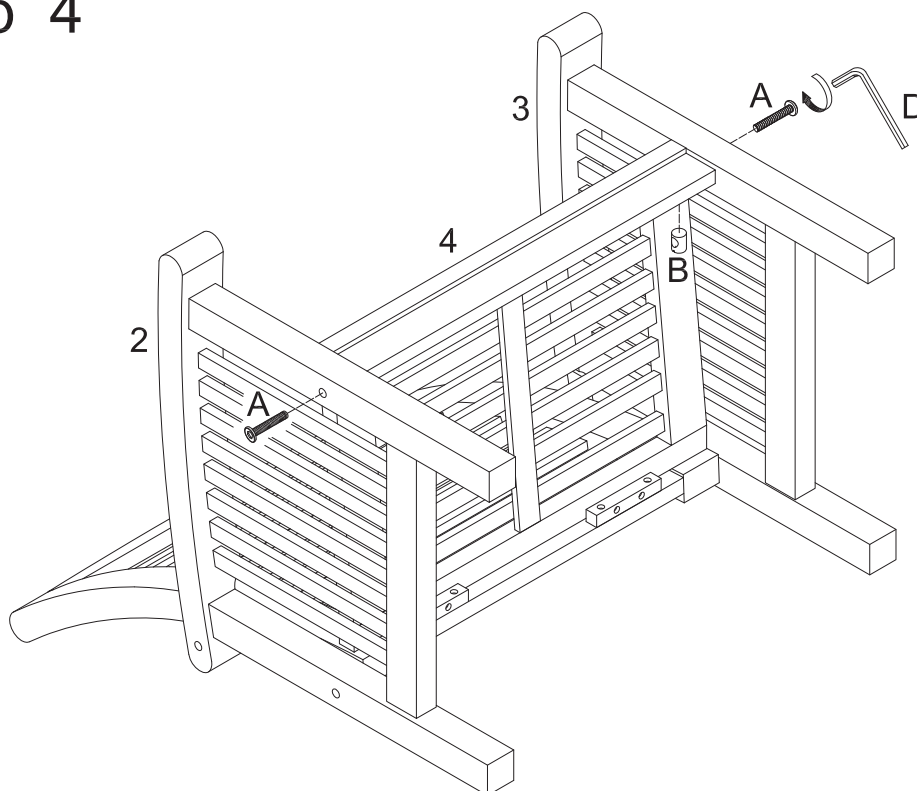
Insert barrel nut (B) into chair back (1). Attach chair side (2) to chair back (1) using bolts (A). Tighten bolts (A) with wrench (D).

Step 3



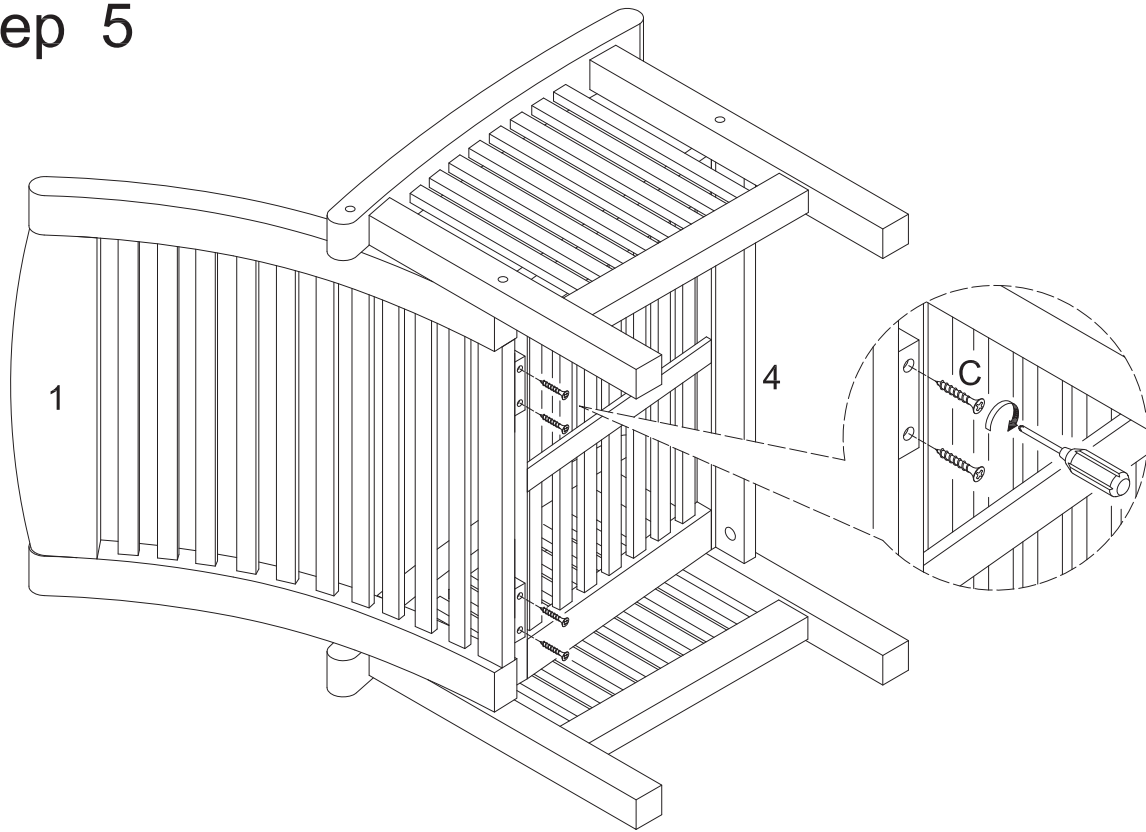
Carefully insert chair seat (4) into the chair assembly.

Step 4



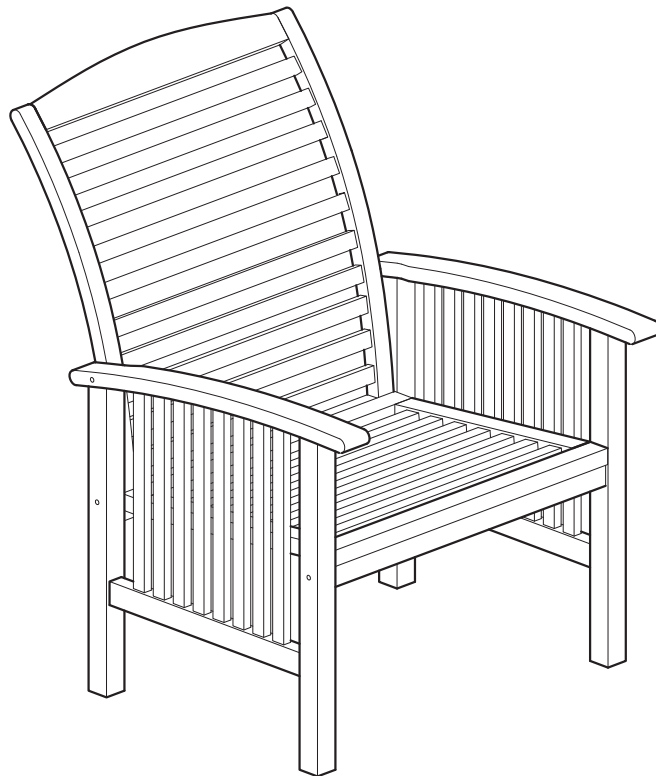
Insert barrel nuts (B) into chair seat (4). Secure chair seat (4) to chair sides (2,3) using bolts (A). Tighten bolts (A) with wrench (D).

Step 5



Secure chair seat (4) to chair back (1) using screws (C). Tighten screws (C) with a screwdriver.

Step 6



Final Assembly