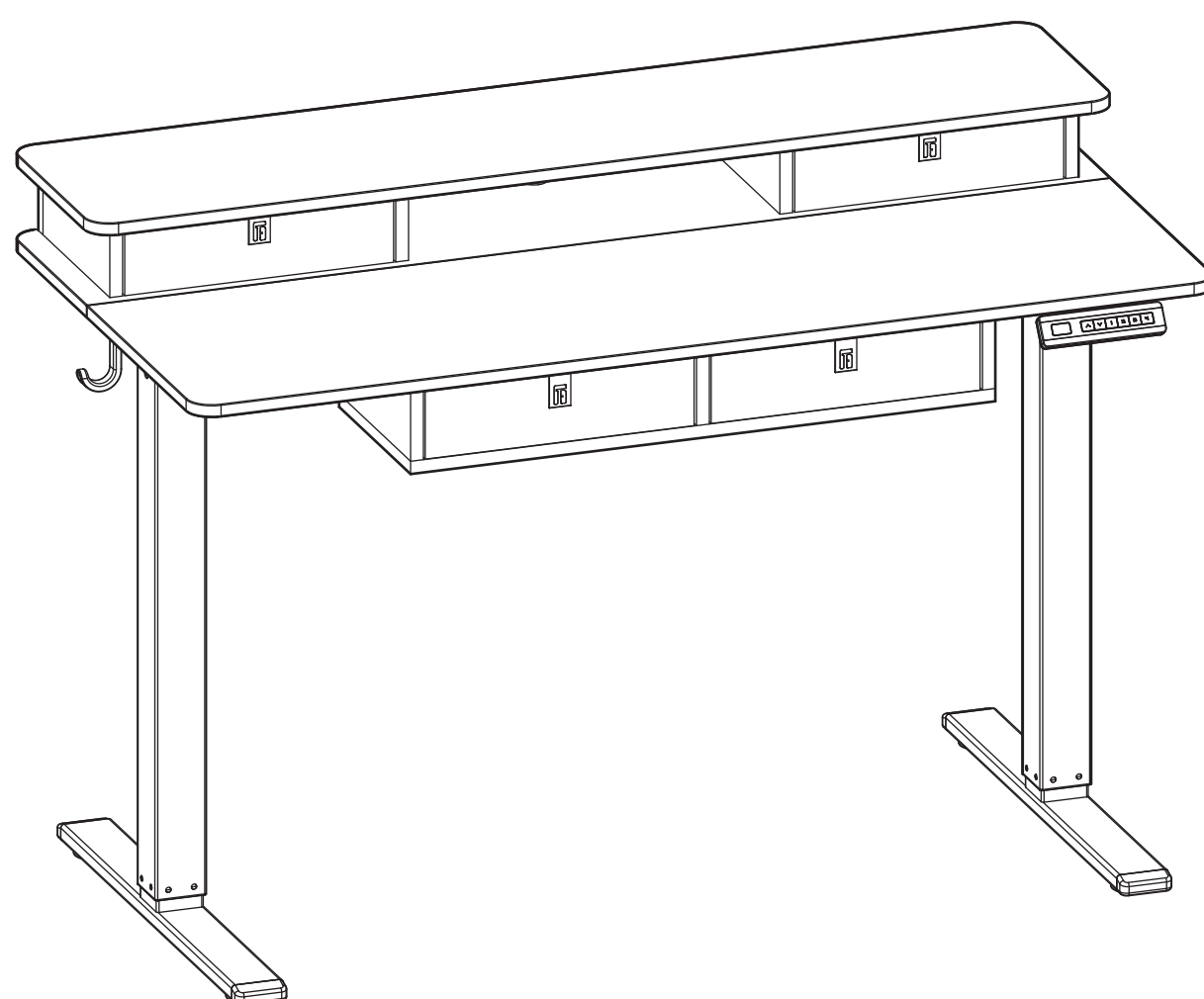


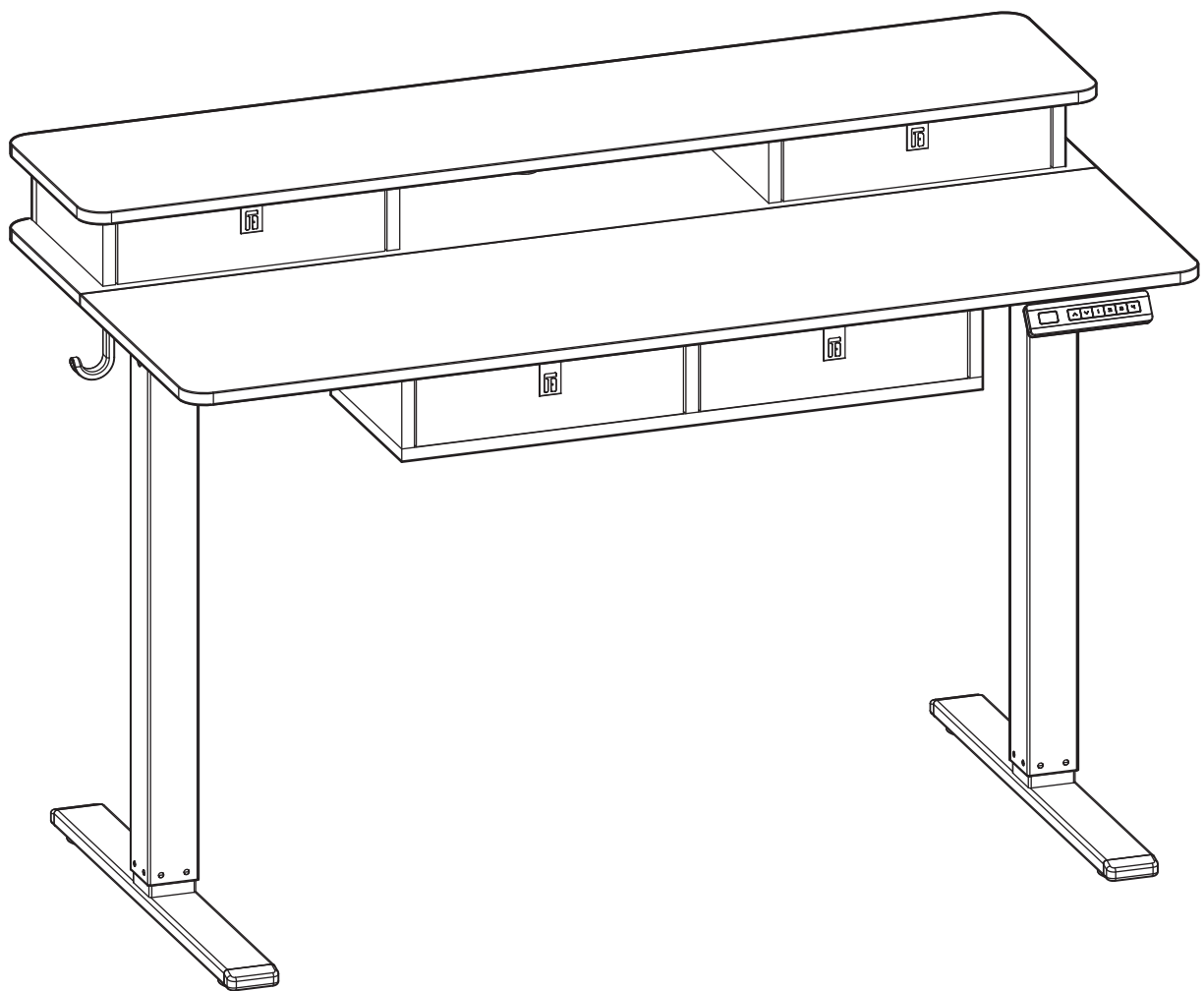
ASSEMBLY INSTRUCTIONS



NOTES(技术要求):

- 1.Dimension after binding(装订后尺寸): 210*297mm.
- 2.Print colour(印刷颜色): 1C.
- 3.Coating(表面处理): 无.
- 4.Material(材质): 80g offset paper (80g双胶纸).
- 5.Binding process(装订工艺): Saddle stitch(骑马钉).
- 6.Output lpi(输出网线): 200 lpi.
- 7.Tolerance(公差): L(长)*W(宽): ± 1.5 mm.
8. 原材料及后处理工艺均需满足RoHS环保要求。
(Raw materials and the corresponding post processing should meet RoHS environmental protection requirements)

ASSEMBLY INSTRUCTIONS



English

Caution

- Keep children and animals away from the desk during use. Ensure the desktop is not touching any walls.
- Remove obstacles taller than 20"/51 cm from underneath the desk.
- Operate only in a working environment temperature of 32°F-104°F/0°C-40°C.
- Keep product away from corrosive gases, liquids and dusty objects.
- Keep hands, feet and other body parts in a safe position during operation. Anti-collision is not automatically enabled during all resets.
- The company does not bear any warranty or liability for damage and human injury caused by any abnormal or un-intended operation of the equipment.
- It is necessary to perform a manual reset after the initial installation or power cycling the equipment.

Español

Precaución

- Mantenga a los niños y animales alejados del escritorio durante su uso. Asegúrese de que el escritorio no toca ninguna pared.
- Retire aquellos obstáculos con una altura superior a 20"/51 cm de debajo del escritorio.
- Opérela únicamente en una temperatura del entorno de trabajo de 32°F-104°F/0°C-40°C.
- Mantenga el producto alejado de gases corrosivos, líquidos y objetos con polvo.
- Mantenga las manos, pies y otras partes del cuerpo en una posición segura durante el funcionamiento. No se habilita la anticollisión de forma automática tras los reinicios.
- La empresa no ofrece ninguna garantía ni asume ninguna responsabilidad por cualquier daño o lesión humana provocada por un funcionamiento anormal o no previsto del equipo.
- Es necesario realizar un reinicio manual tras la instalación inicial o el ciclo de encendido.

Italiano

Attenzione

- Tenere i bambini e gli animali lontani dalla scrivania durante l'uso. Assicurarsi che il piano non tocchi alcuna parete.
- Rimuovere gli ostacoli più alti di 20"/51 cm da sotto la scrivania.
- Operare solo in un ambiente di lavoro con una temperatura di 32°F-104°F/0°C-40°C.
- Tenere il prodotto lontano da gas e liquidi corrosivi e oggetti polverosi.
- Tenere mani, piedi e altre parti del corpo in posizione di sicurezza durante il funzionamento. L'anti-collisione non è automaticamente attivata dopo il ripristino.
- La società non si assume alcuna garanzia o responsabilità per danni e lesioni umane causati da un funzionamento anomalo o non previsto dell'apparecchiatura.
- È necessario eseguire un ripristino manuale dopo l'installazione iniziale o il ciclo di alimentazione.

Deutsch

Vorsicht



- Halten Sie Kinder und Tiere während der Benutzung vom Tisch fern. Achten Sie darauf, dass die Tischplatte keine Wände berührt.
- Entfernen Sie Hindernisse, die höher als 20"/51 cm Zoll sind, von der Unterseite des Tisches.
- Betreiben Sie das Gerät nur in einer Arbeitsumgebung mit einer Temperatur von 32°F-104°F/0°C-40°C.
- Halten Sie das Produkt von ätzenden Gasen, Flüssigkeiten und staubigen Gegenständen fern.
- Halten Sie Hände, Füße und andere Körperteile während des Betriebs in einer sicheren Position. Der Antikollisionsschutz wird nach den Zurücksetzen nicht automatisch aktiviert.
- Das Unternehmen übernimmt keine Garantie oder Haftung für Schäden und Verletzungen, die durch einen abnormalen oder unbeabsichtigten Betrieb des Geräts verursacht werden.
- Nach der Ersteinrichtung oder dem Ersteinrichten der Stromversorgung muss eine manuelle Rückstellung vorgenommen werden.

Français

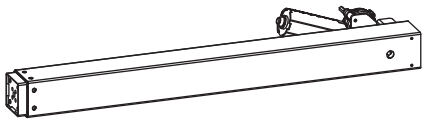
Attention

- Pendant l'utilisation, gardez les enfants et les animaux à l'écart du bureau. Veillez à ce que le bureau ne touche aucun mur.
- Éliminez les obstacles de plus de 20"/51 cm pouces de hauteur sous le bureau.
- N'utilisez le produit que dans un environnement de travail dont la température est comprise entre 32°F-104°F/0°C-40°C.
- Éloignez le produit de toute source de gaz corrosifs, de liquides et d'objets poussiéreux.
- Gardez les mains, les pieds et les autres parties du corps dans une position sûre lorsque vous utilisez l'appareil. L'anticollision n'est pas automatiquement activée après les réinitialisations.
- Aucune garantie ou responsabilité n'est assumée par la société pour les dommages et les blessures humaines causés par un fonctionnement anormal ou non intentionnel de l'équipement.
- Une réinitialisation manuelle est indispensable après l'installation initiale ou un cycle d'alimentation.

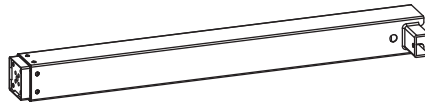
日本語

注意

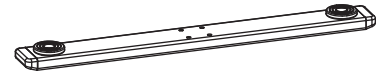
- 本製品を使用している時、子供や動物から遠ざけてください。デスクトップが壁に触れていないことを確認してください。
- 机の底から20インチより高い障害物を取り除いてください。
- 32°F-104°F/0°C-40°Cの作動環境温度のみで動作する。
- 本製品を腐食性ガス、液体、ほこりの多い物体から遠ざけてください。
- 操作中に手、足、その他の体の部分を安全な位置に保ってください。アンチ衝突は、すべてのリセット中に自動的に有効にされていません。
- 機器の異常または非意図的な操作によって引き起こされた損傷と人身傷害に対していかなる保証または責任も負いません。
- 初回装着または機器通電後、手動リセットが必要です。



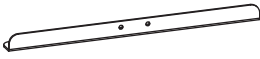
A x1



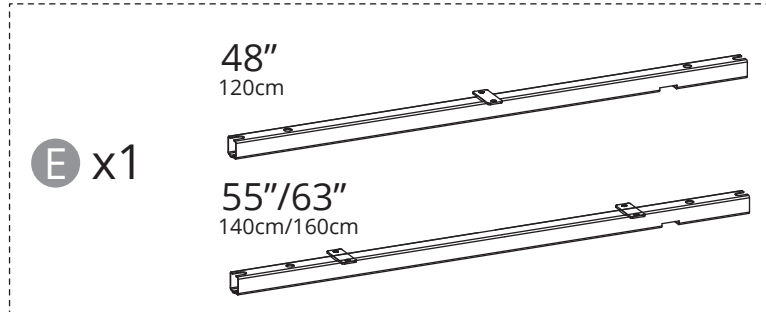
B x1



C x2



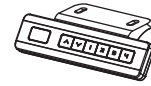
D x2



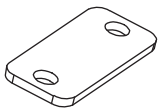
F x1



G x1



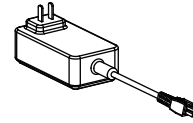
H x1



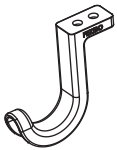
I x3 (48"/55")
120cm/140cm)
x4 (63")
160cm)



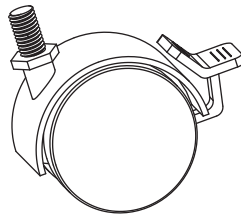
J x3



K x1



L x2



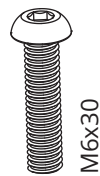
M x4



1 x22 (48")
120cm)
x24 (55")
140cm)
x26 (63")
160cm)



2 x8



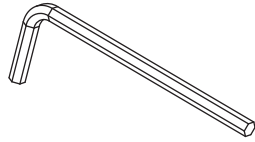
3 x8



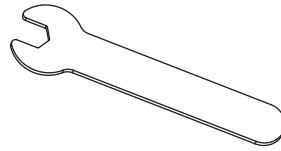
5 x2



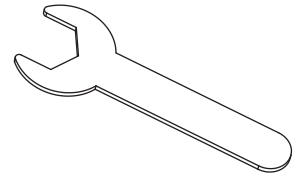
⑥ x1



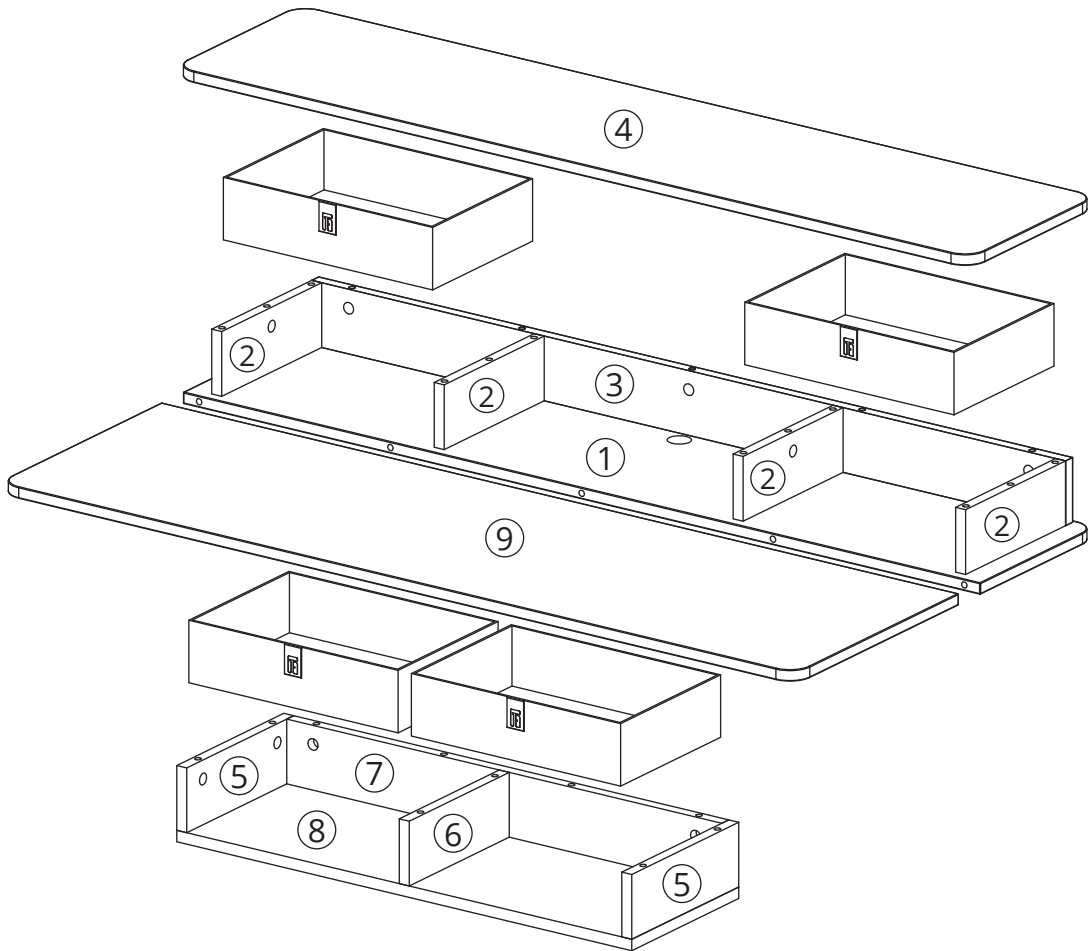
⑦ x1



⑧ x1



⑨ x1



A
x15



B
x15



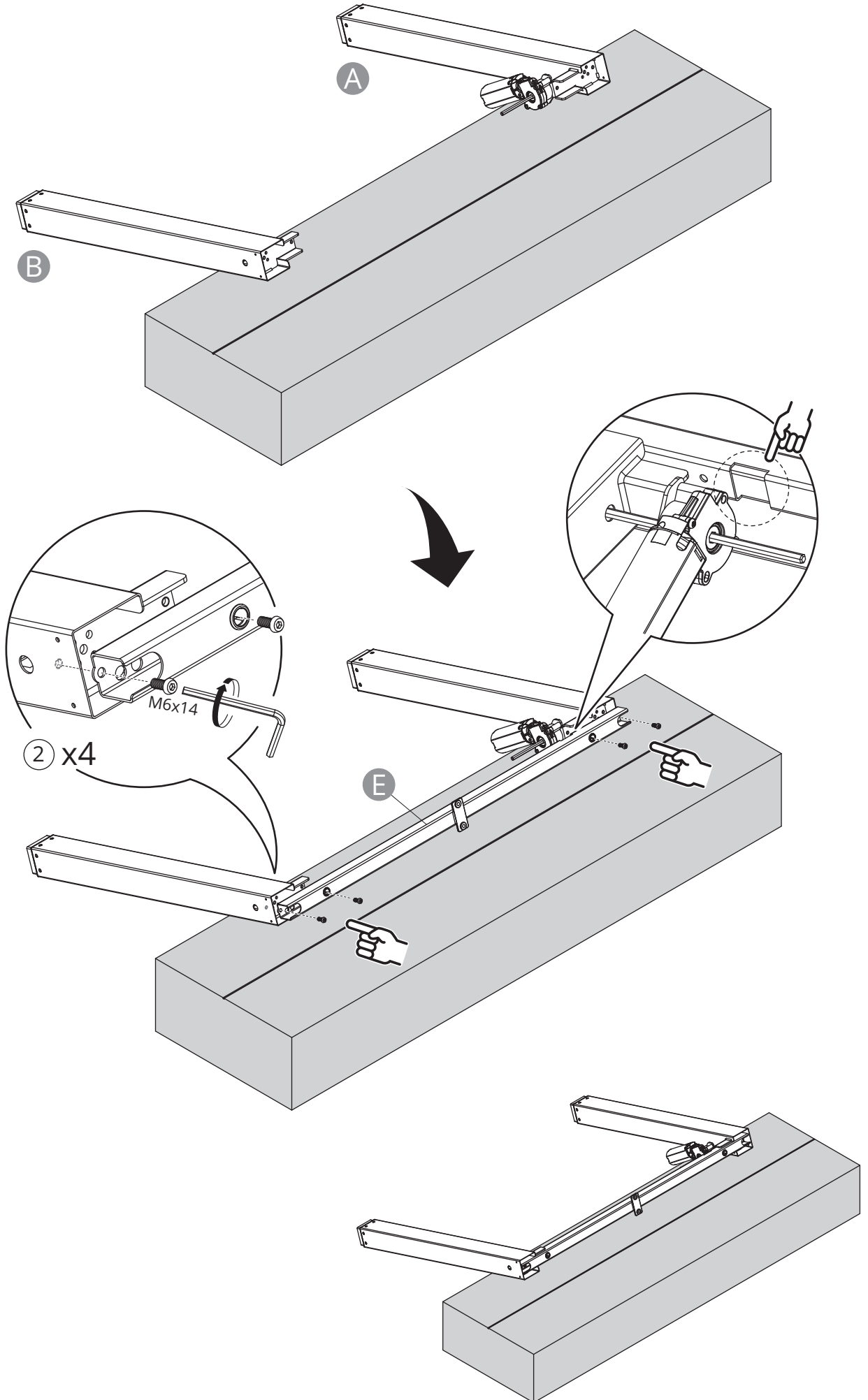
C
x26 (48"
120cm)
x27 (55"
140cm)
x28 (63"
160cm)



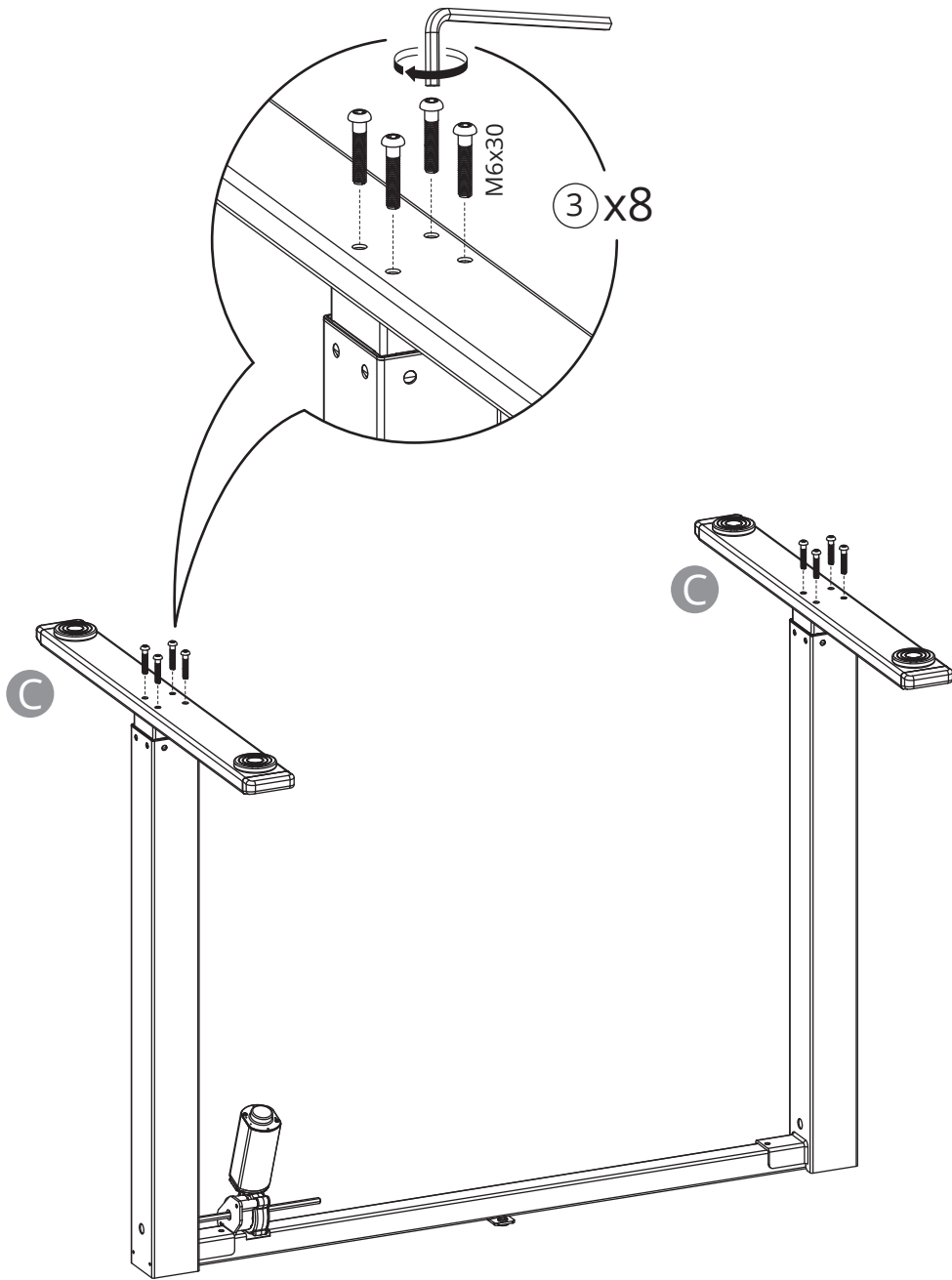
D
x19

ST4x35

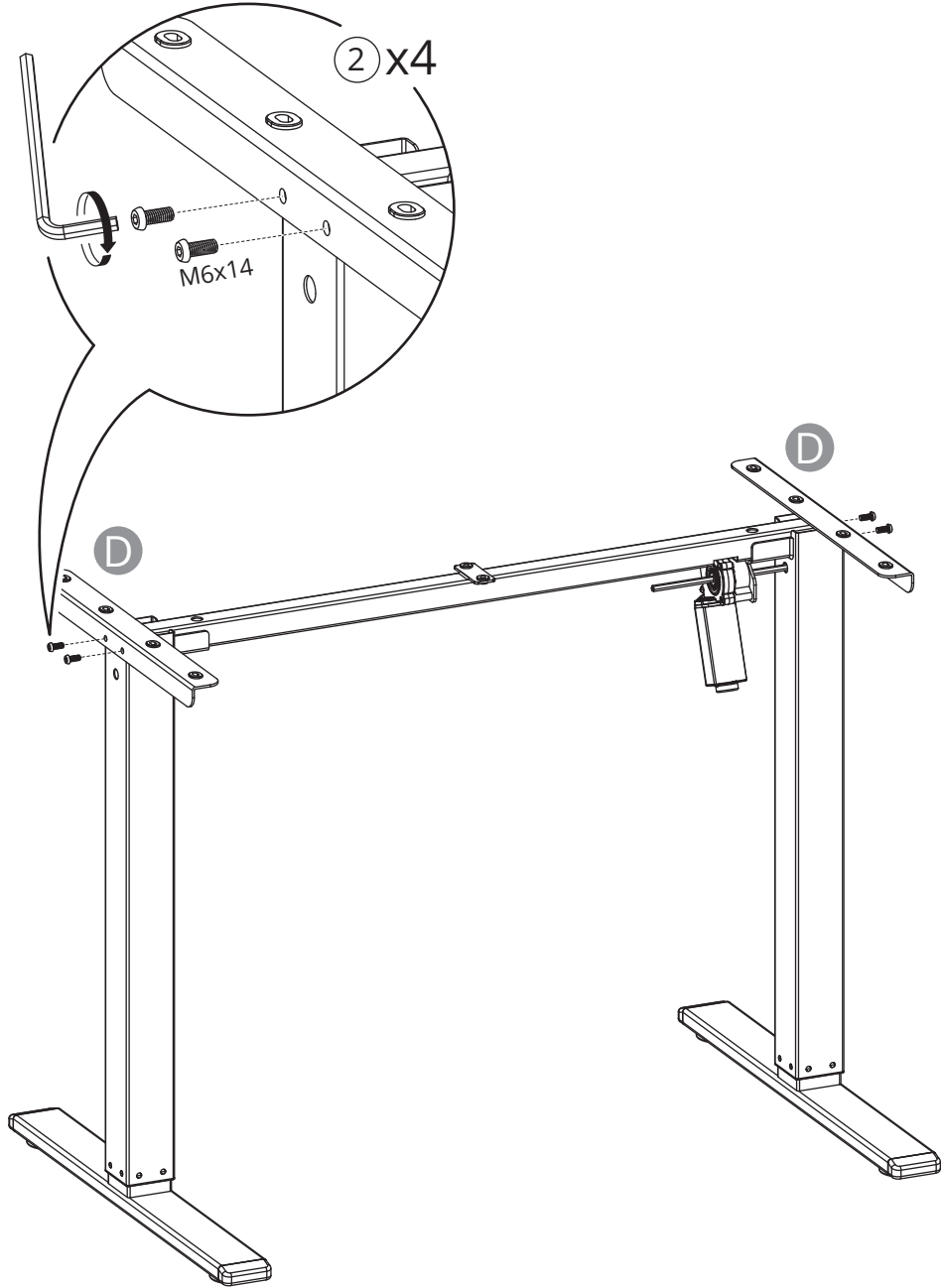
1



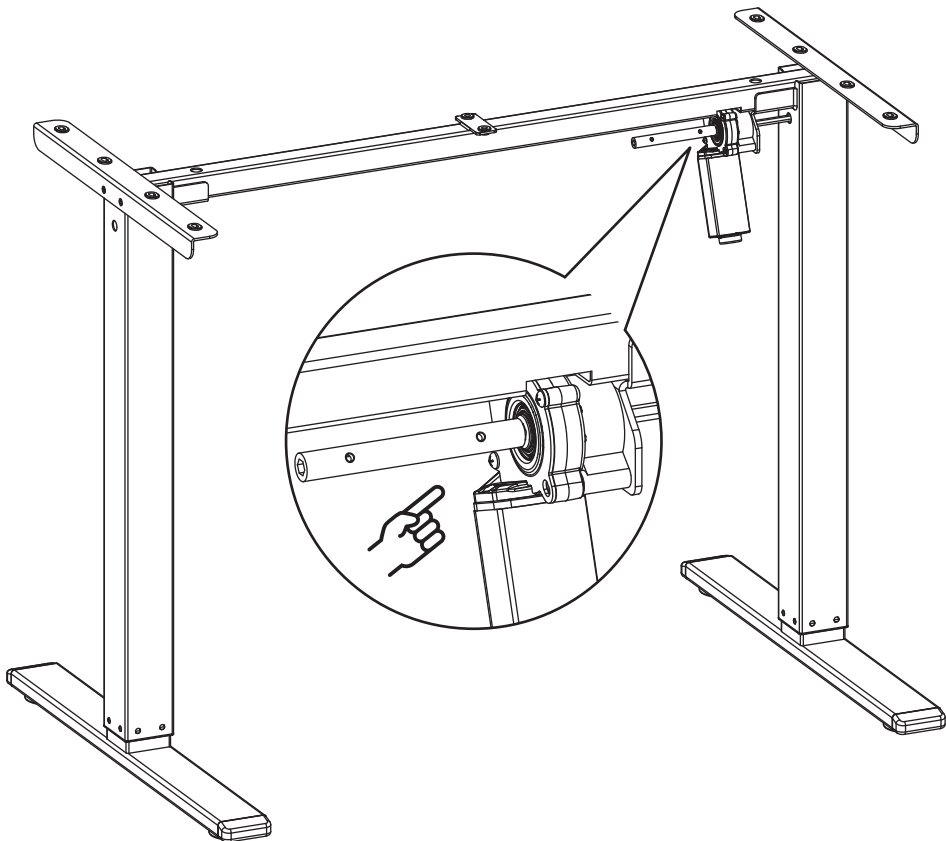
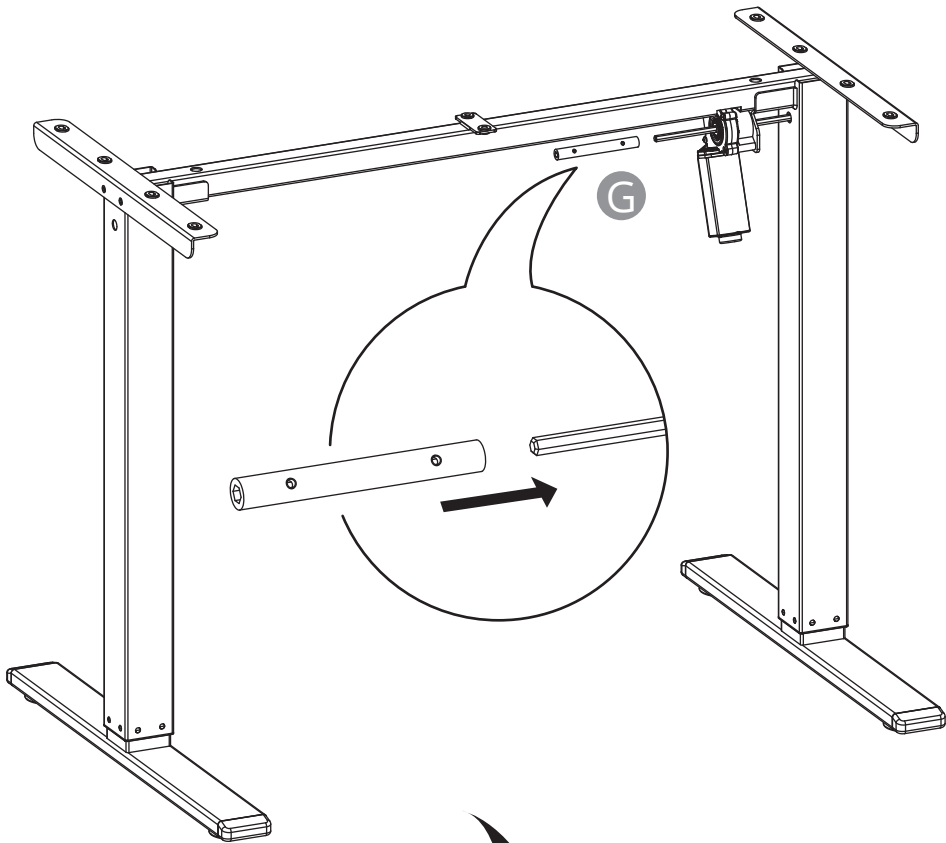
2



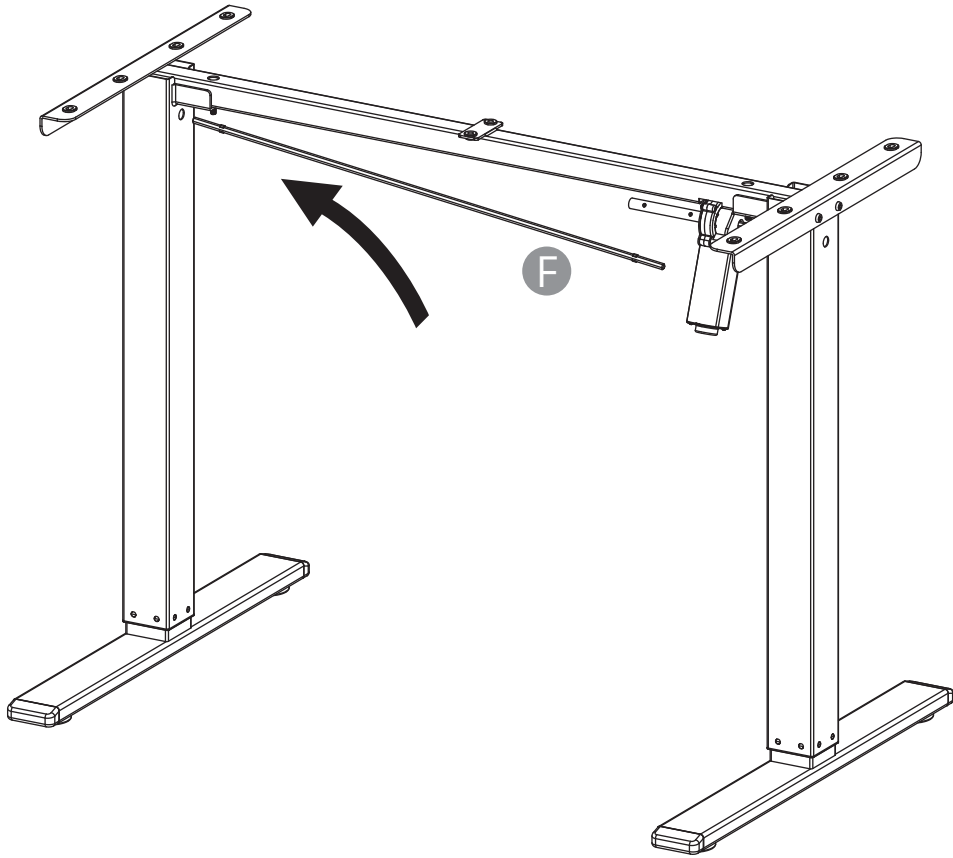
3



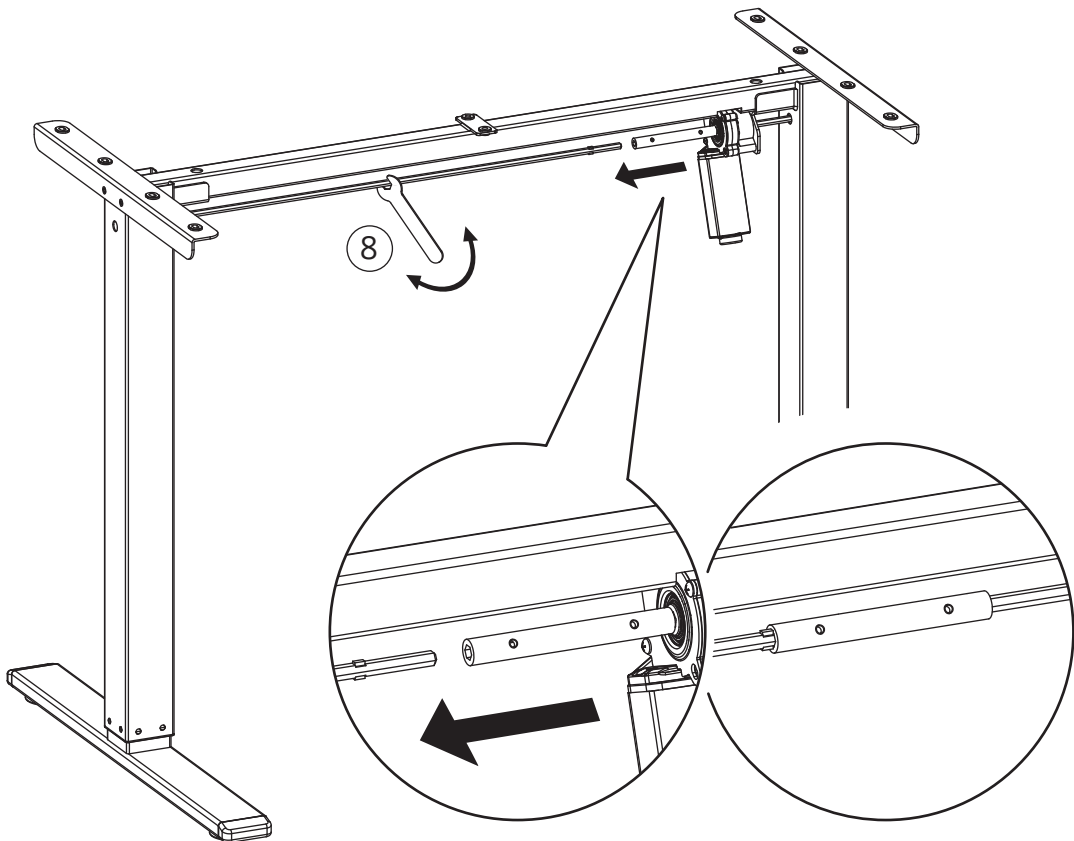
4



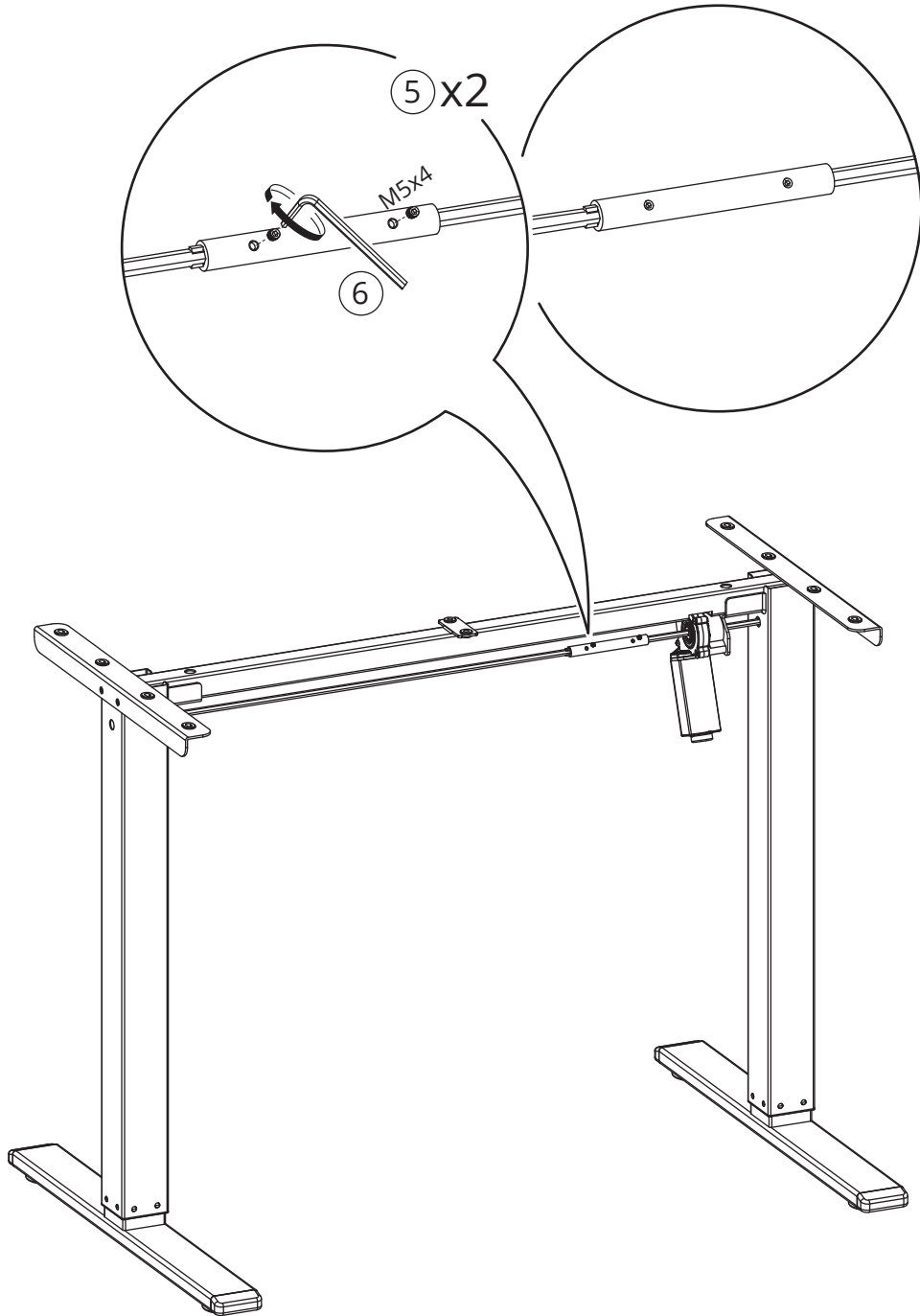
5

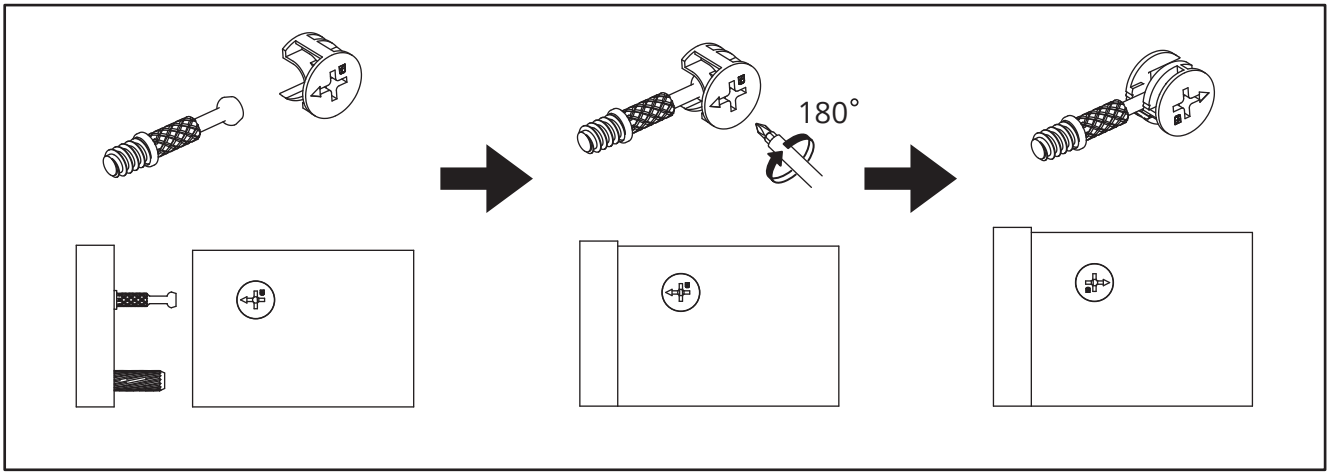


6

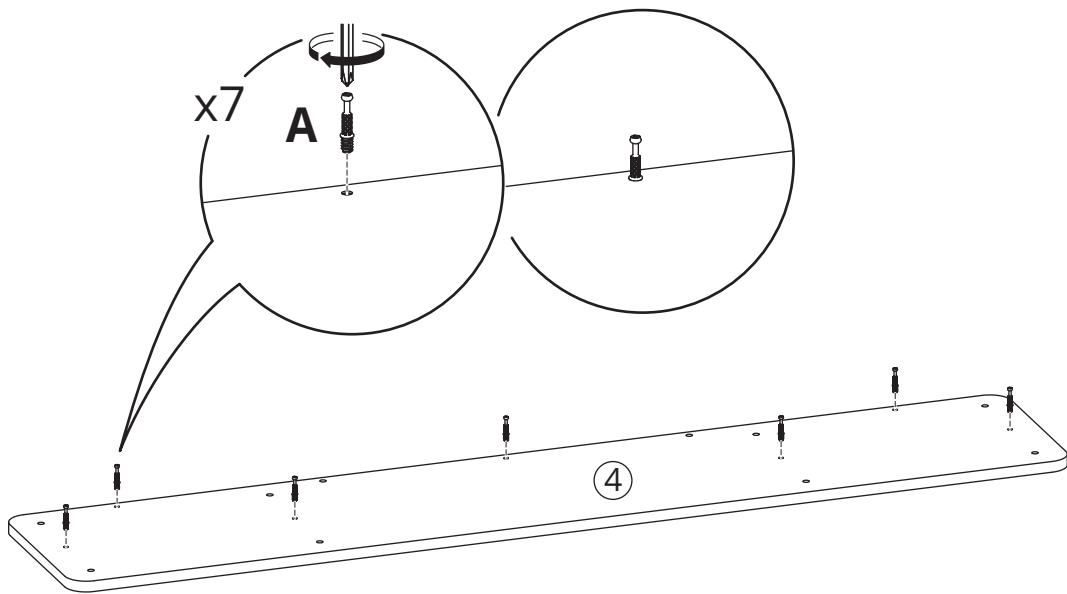


7

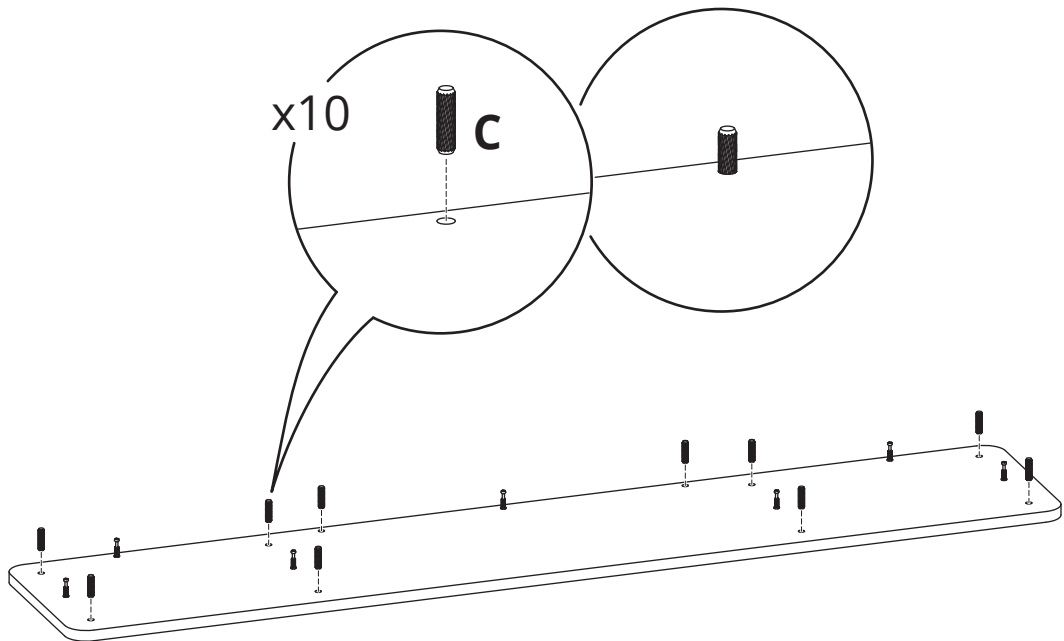




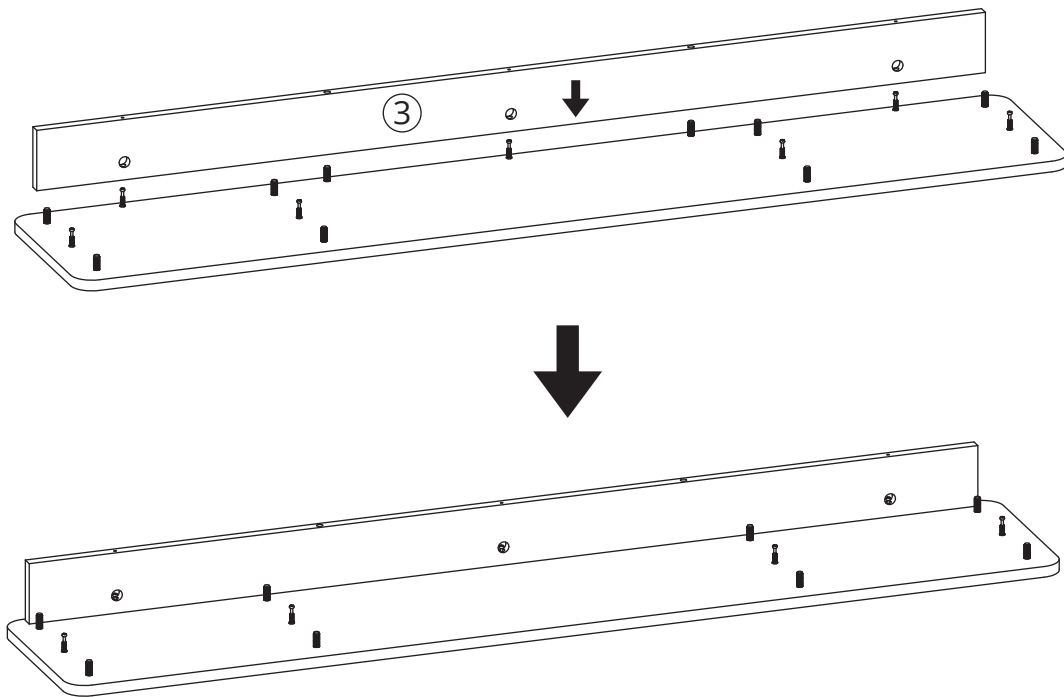
8



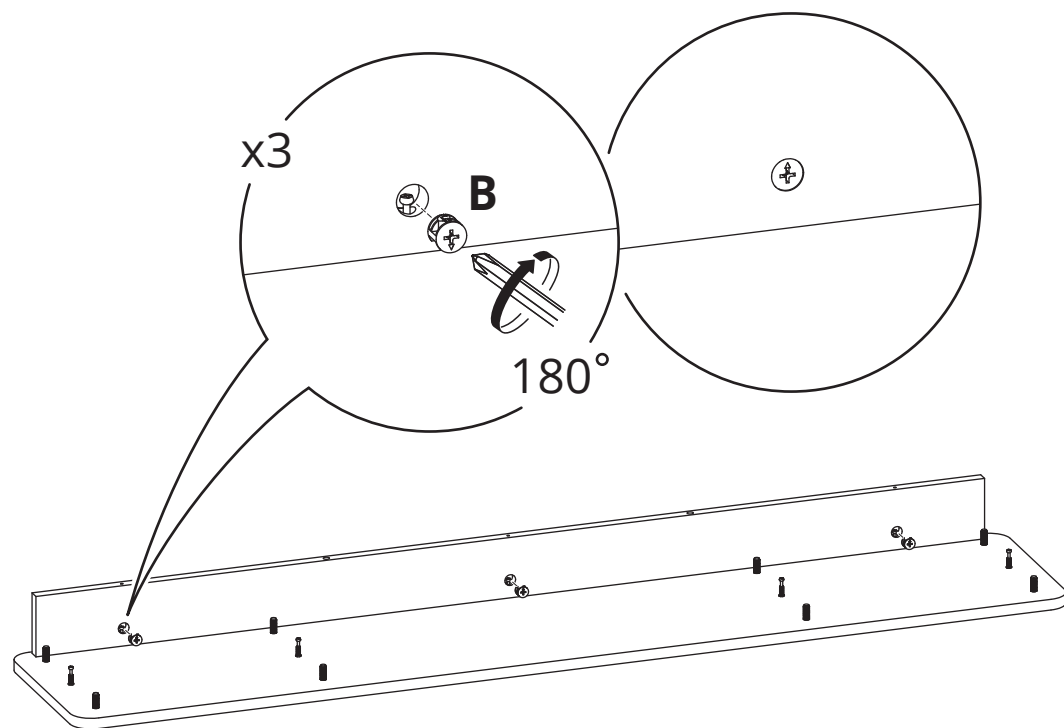
9



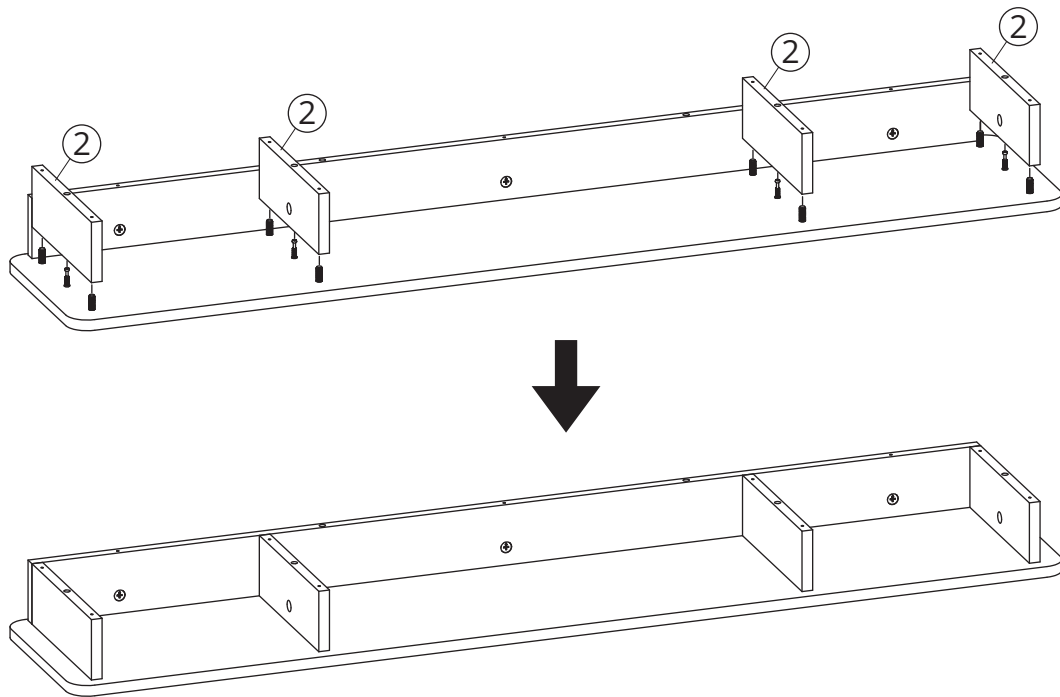
10



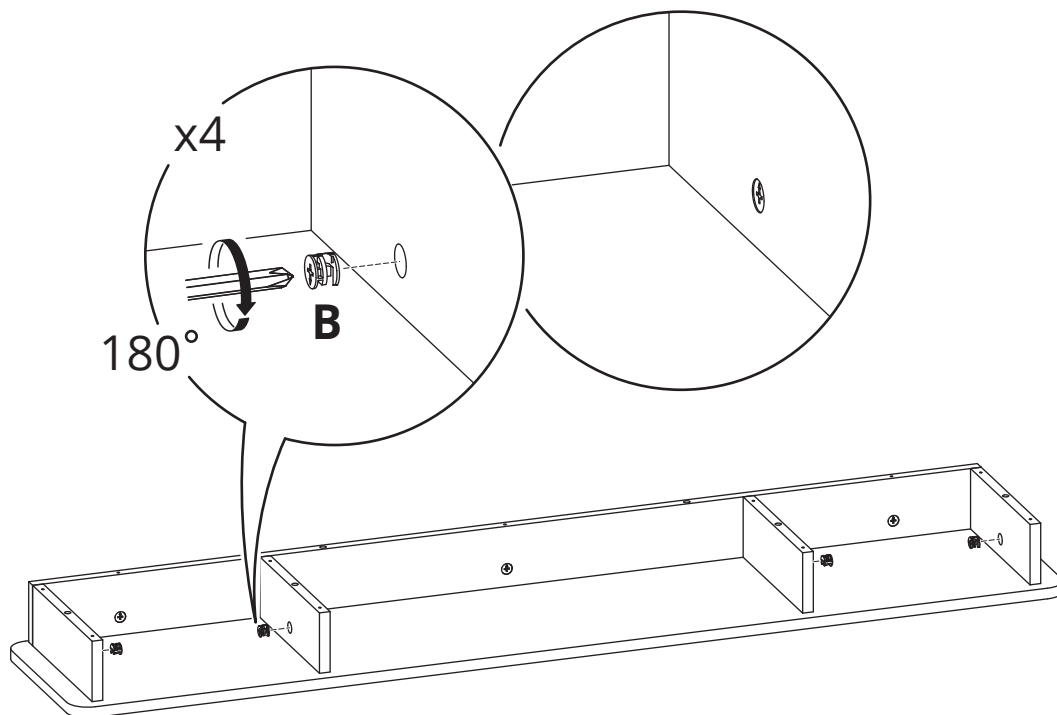
11



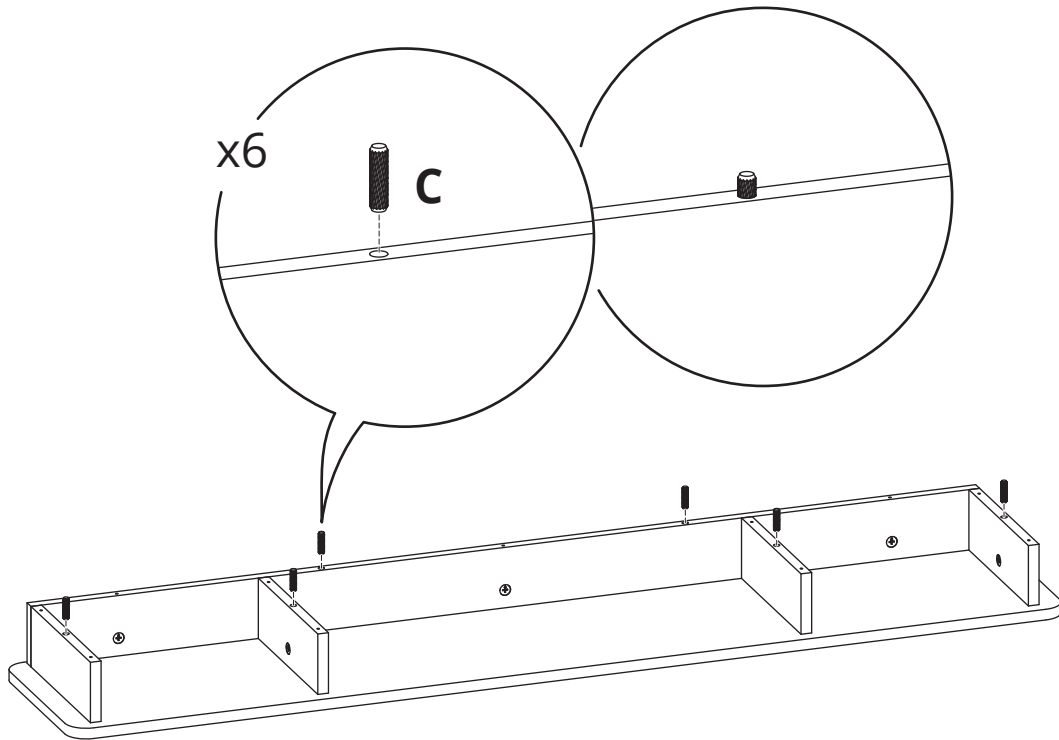
12



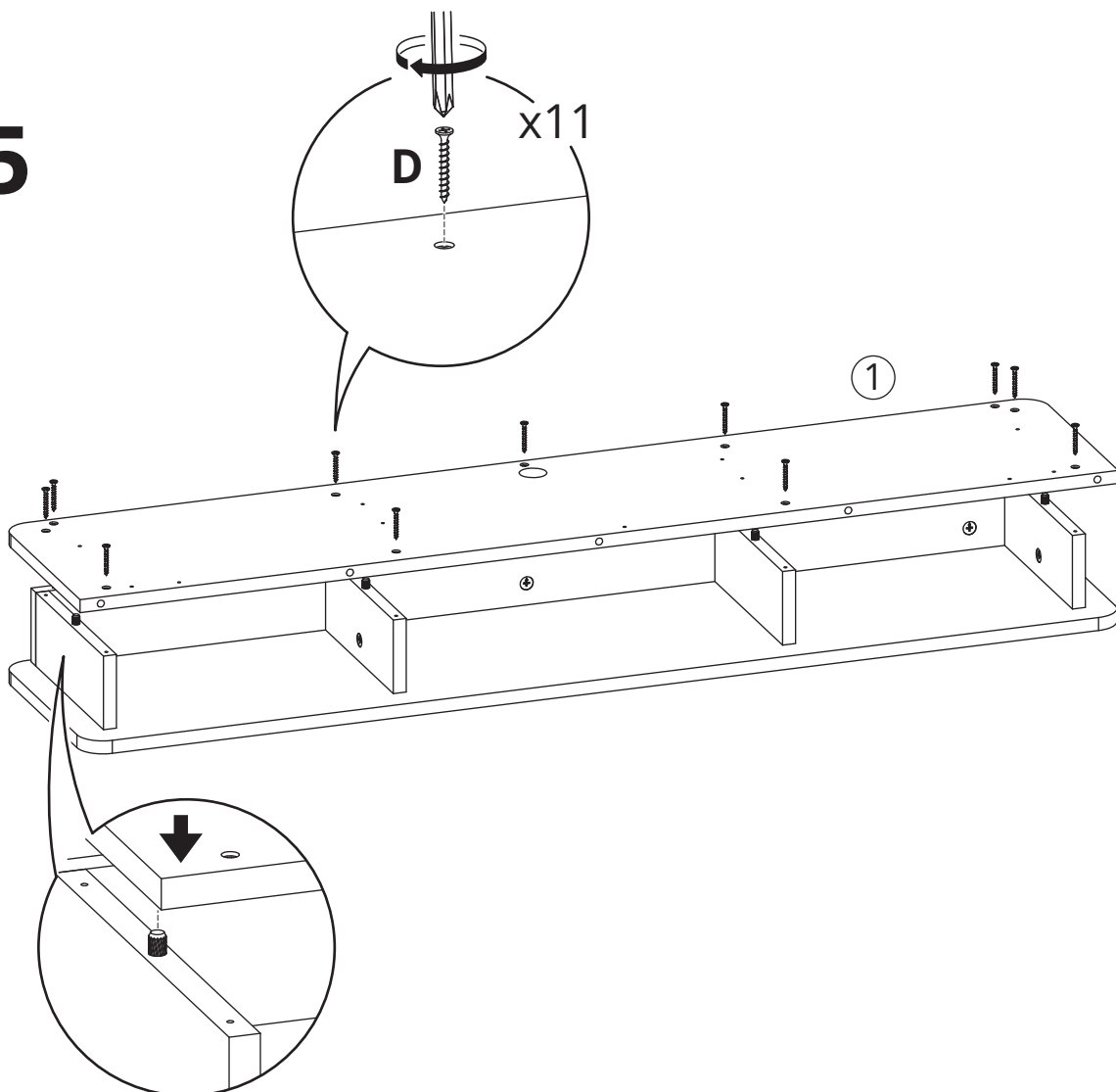
13



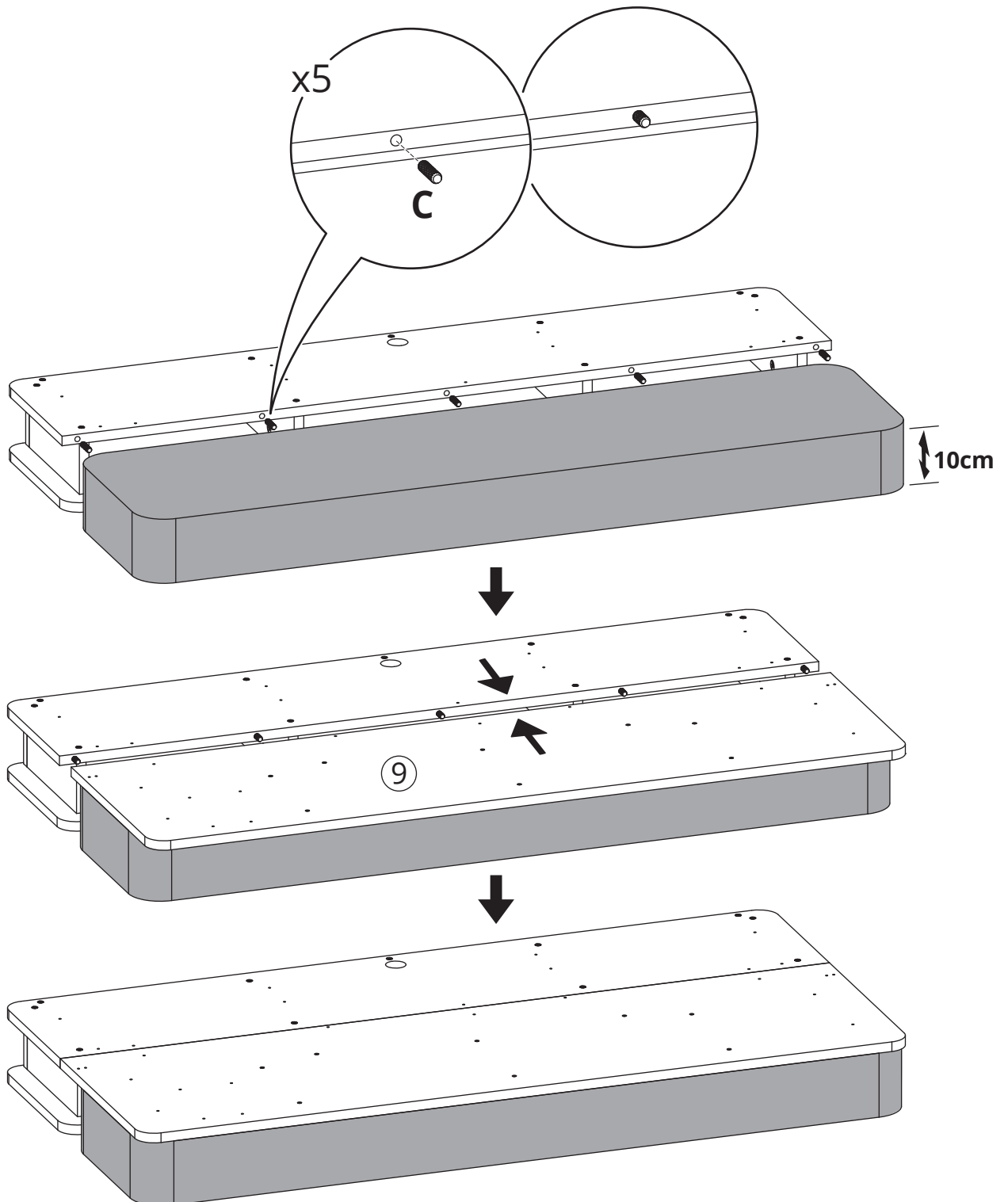
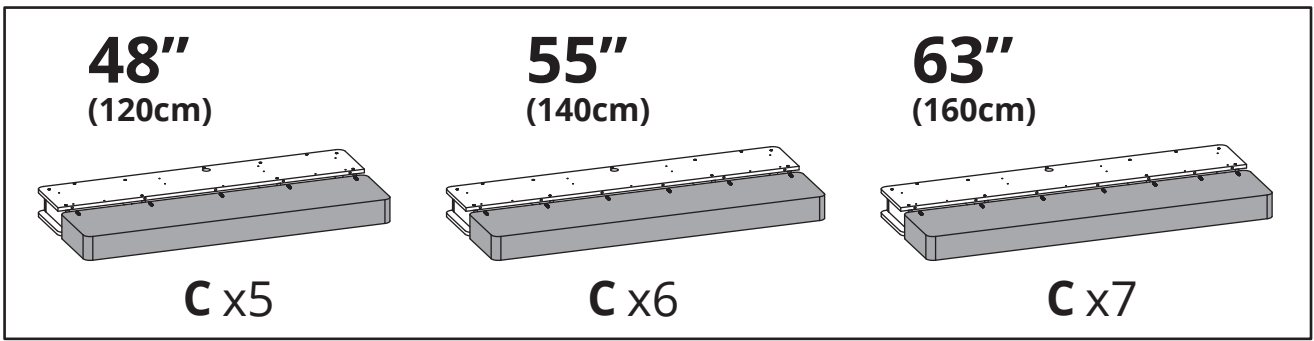
14



15

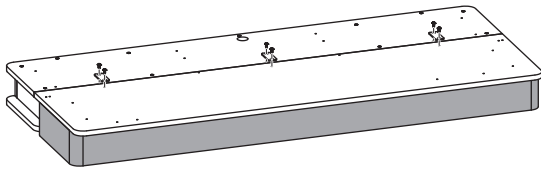


16



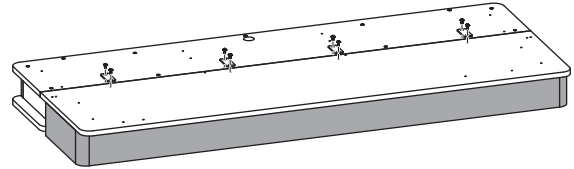
17

48"/55"
(120cm/140cm)

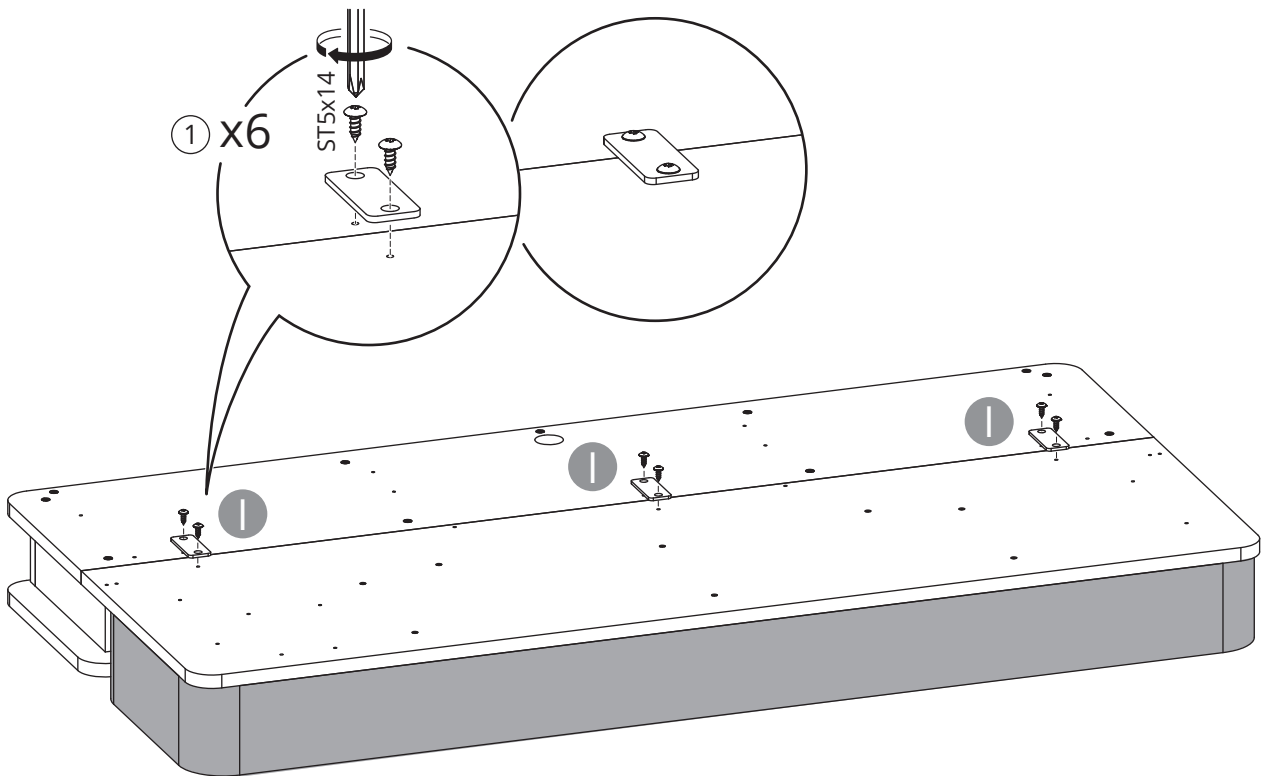


I x3
① x6

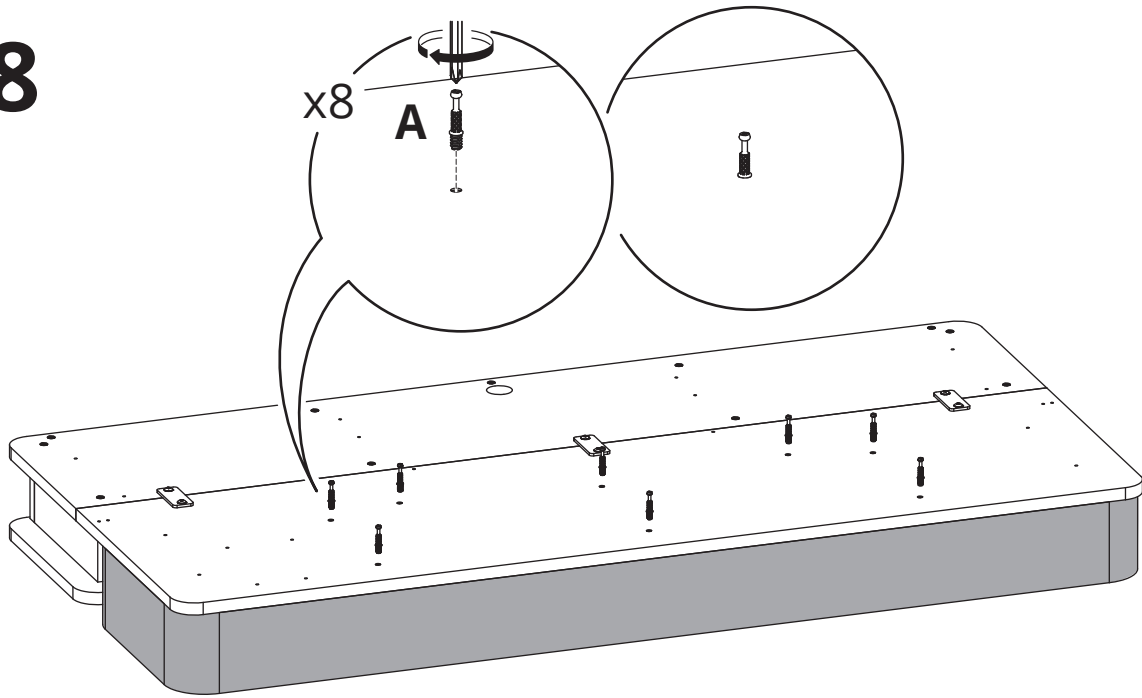
63"
(160cm)



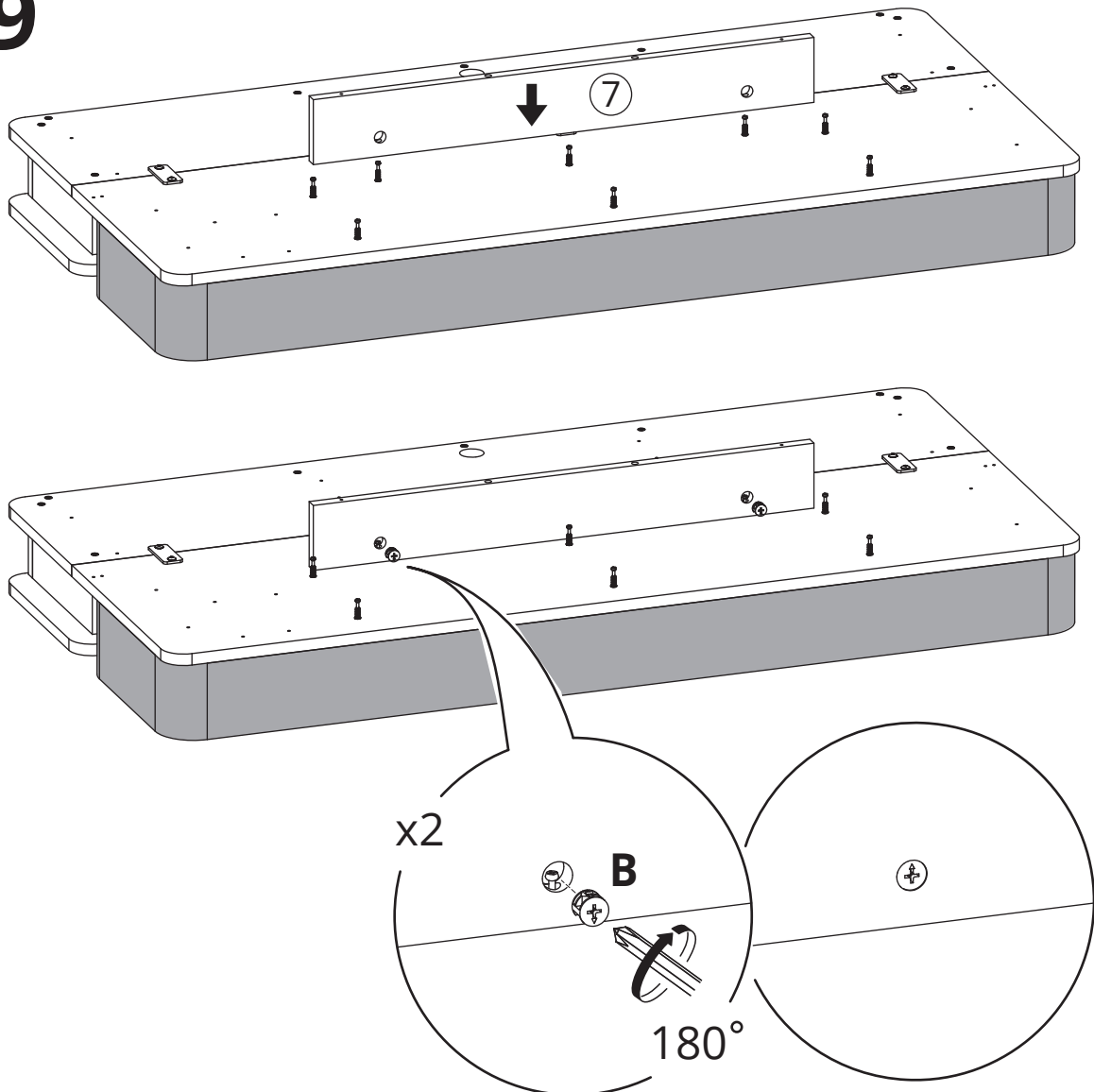
I x4
① x8



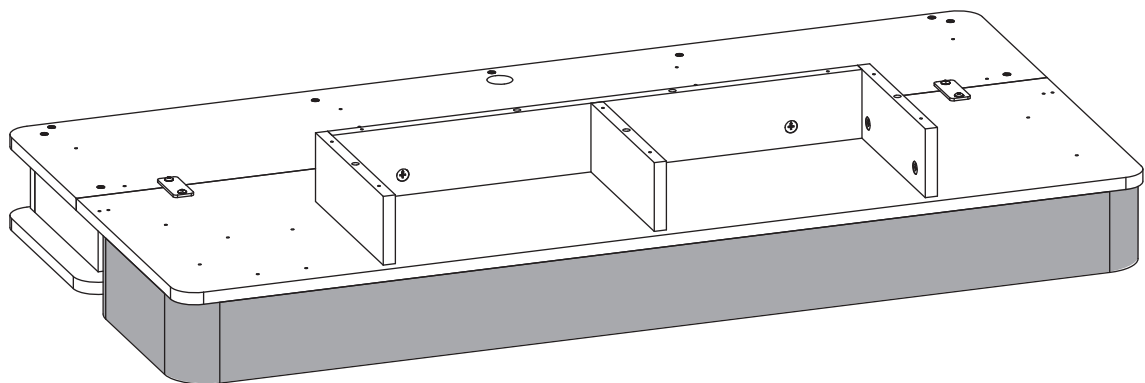
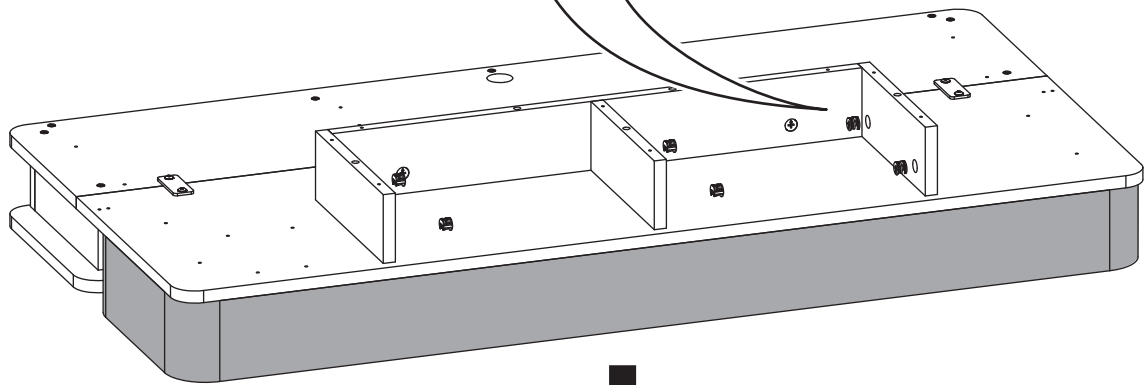
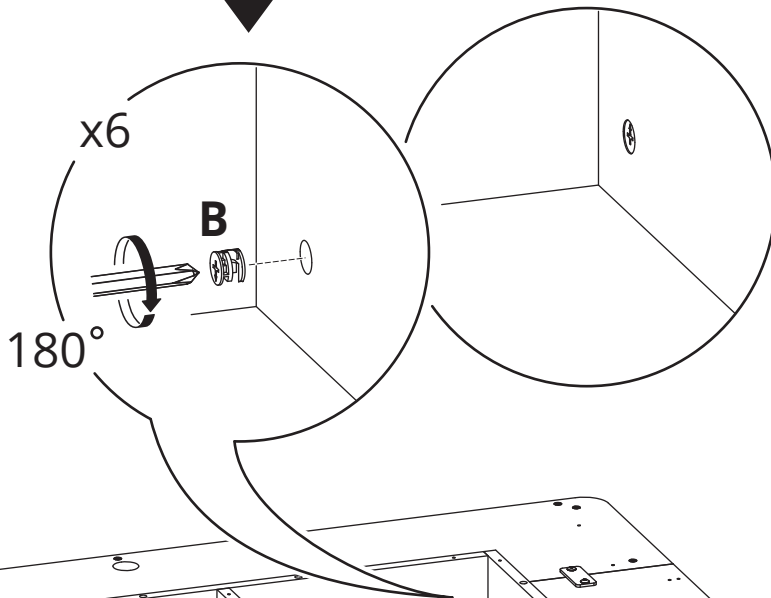
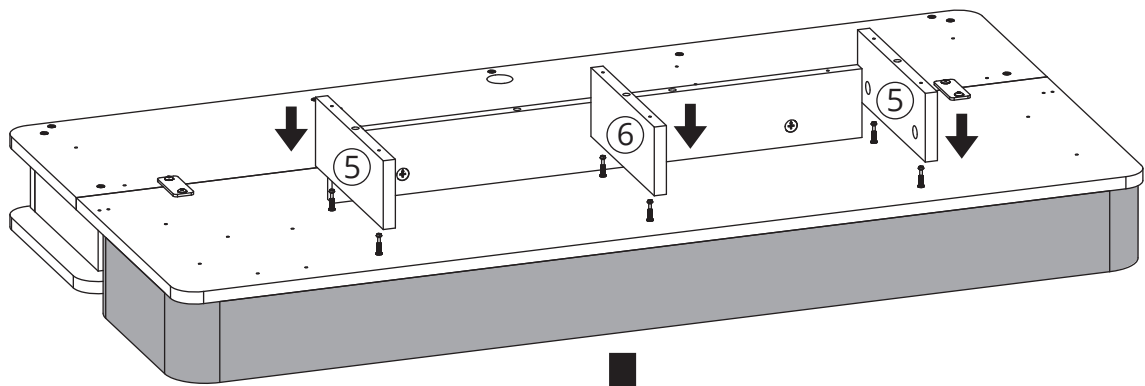
18



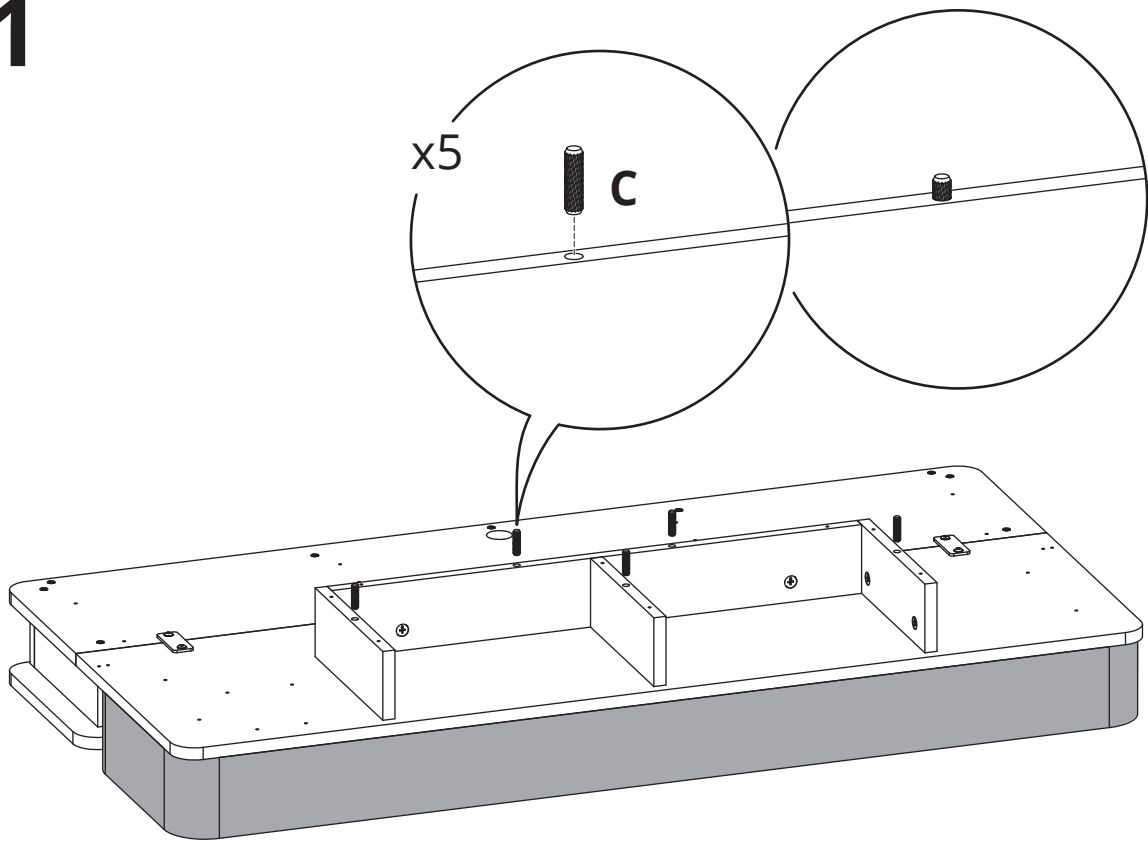
19



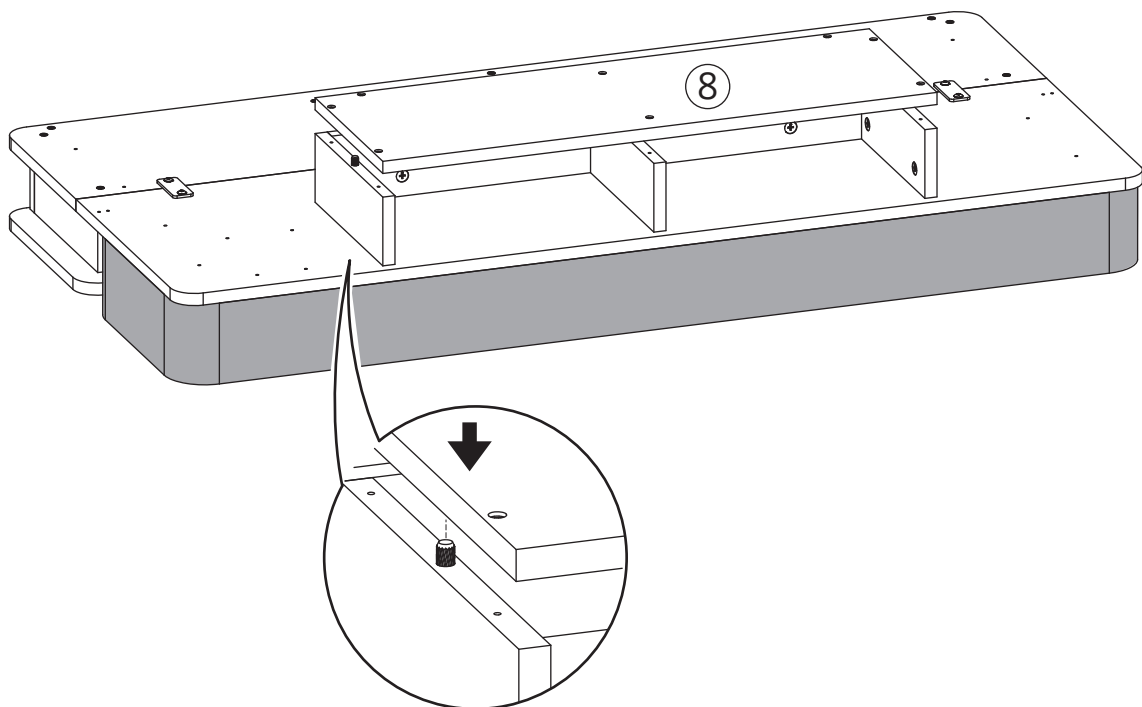
20



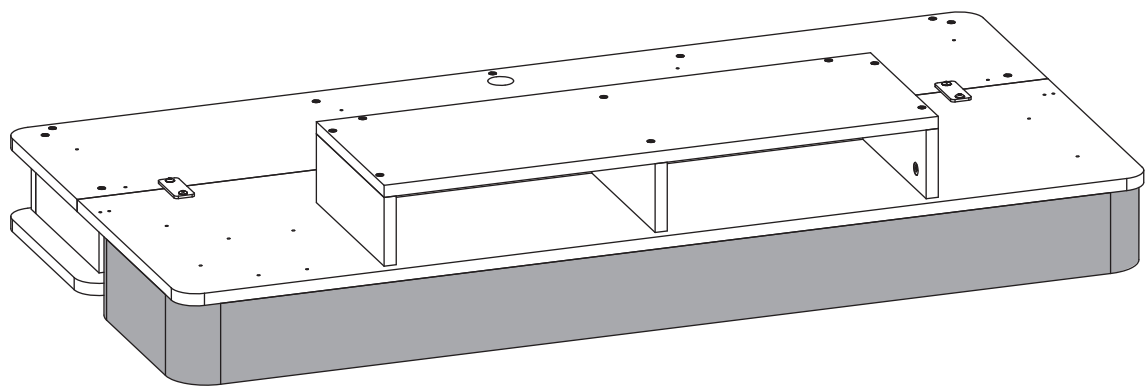
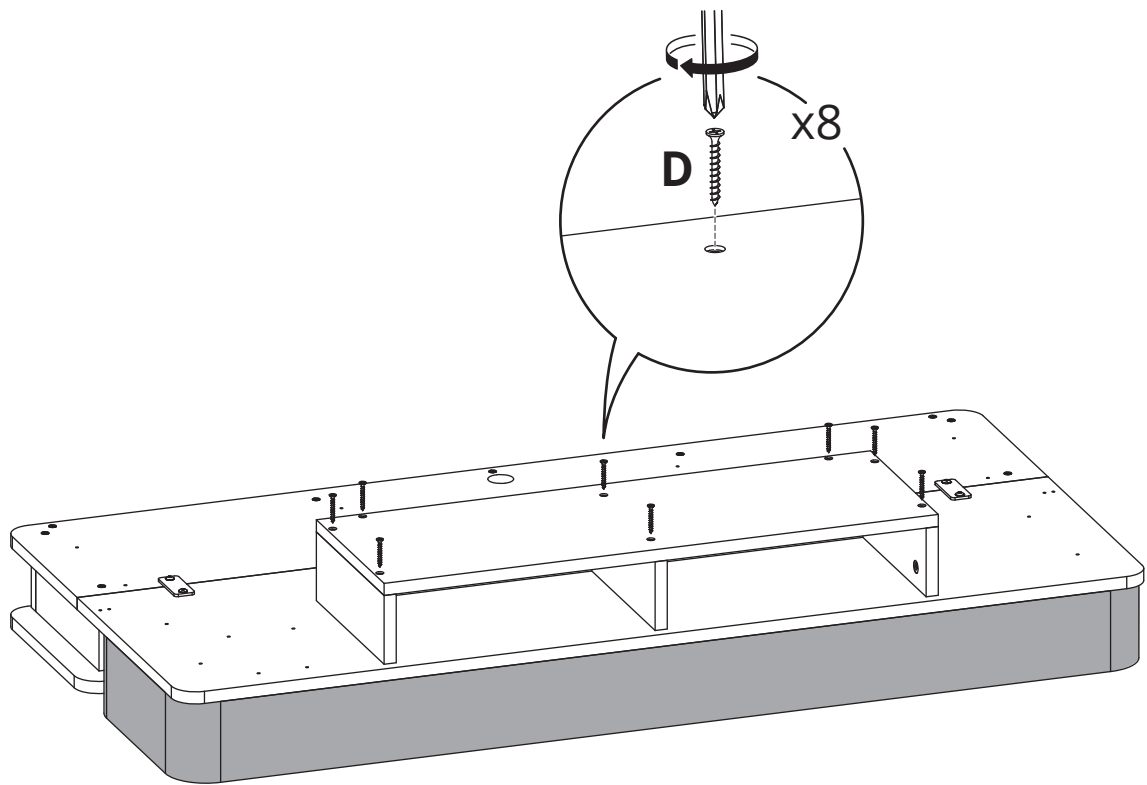
21



22

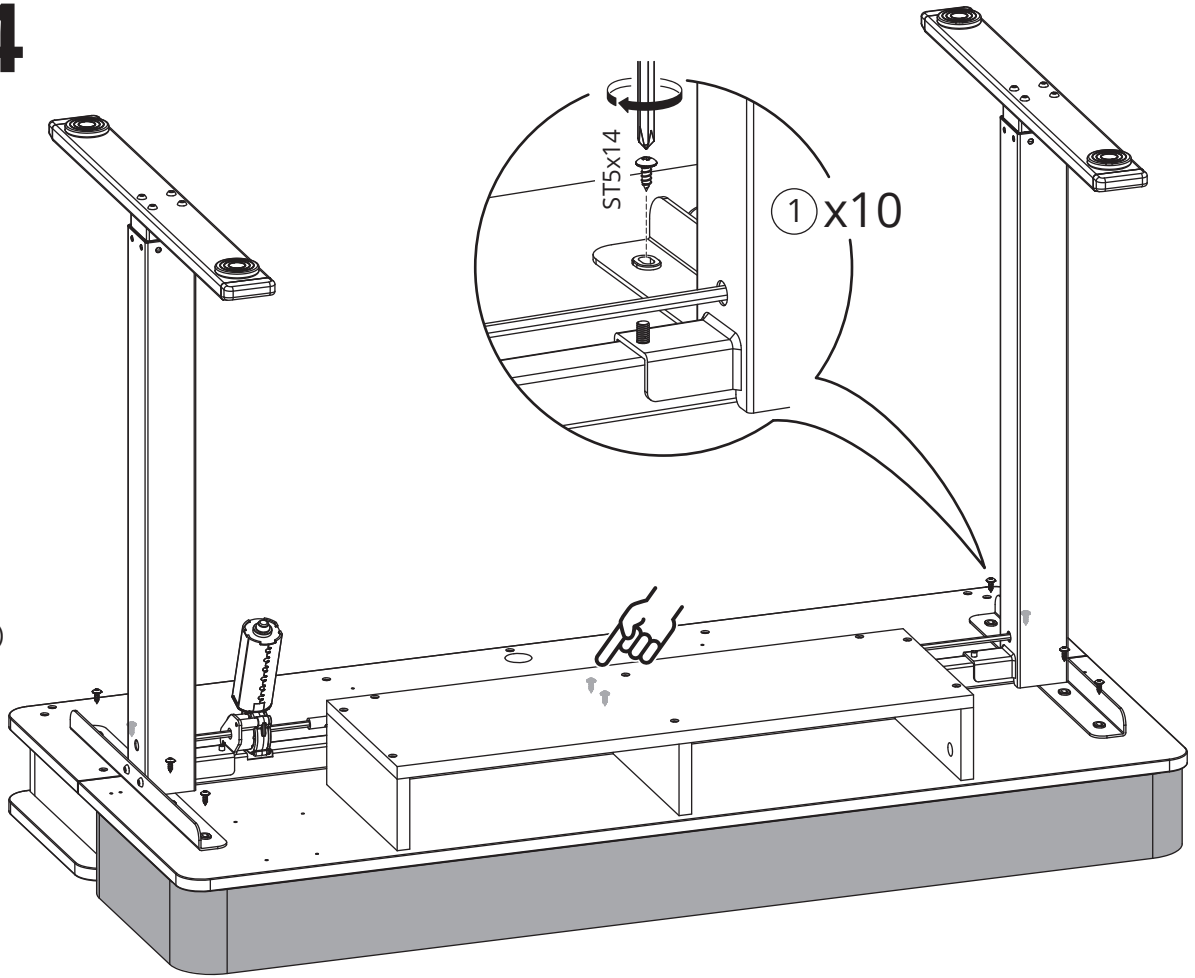


23

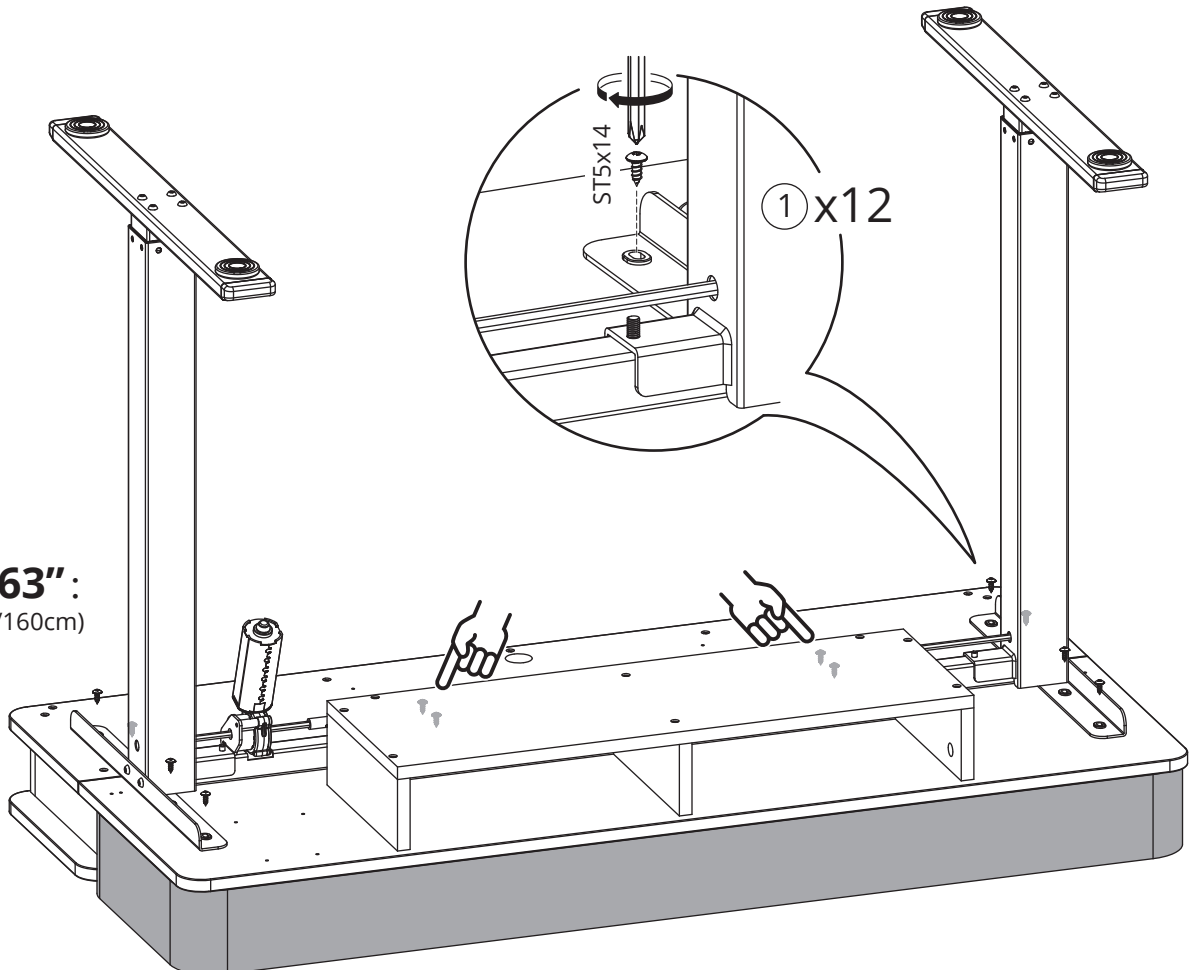


24

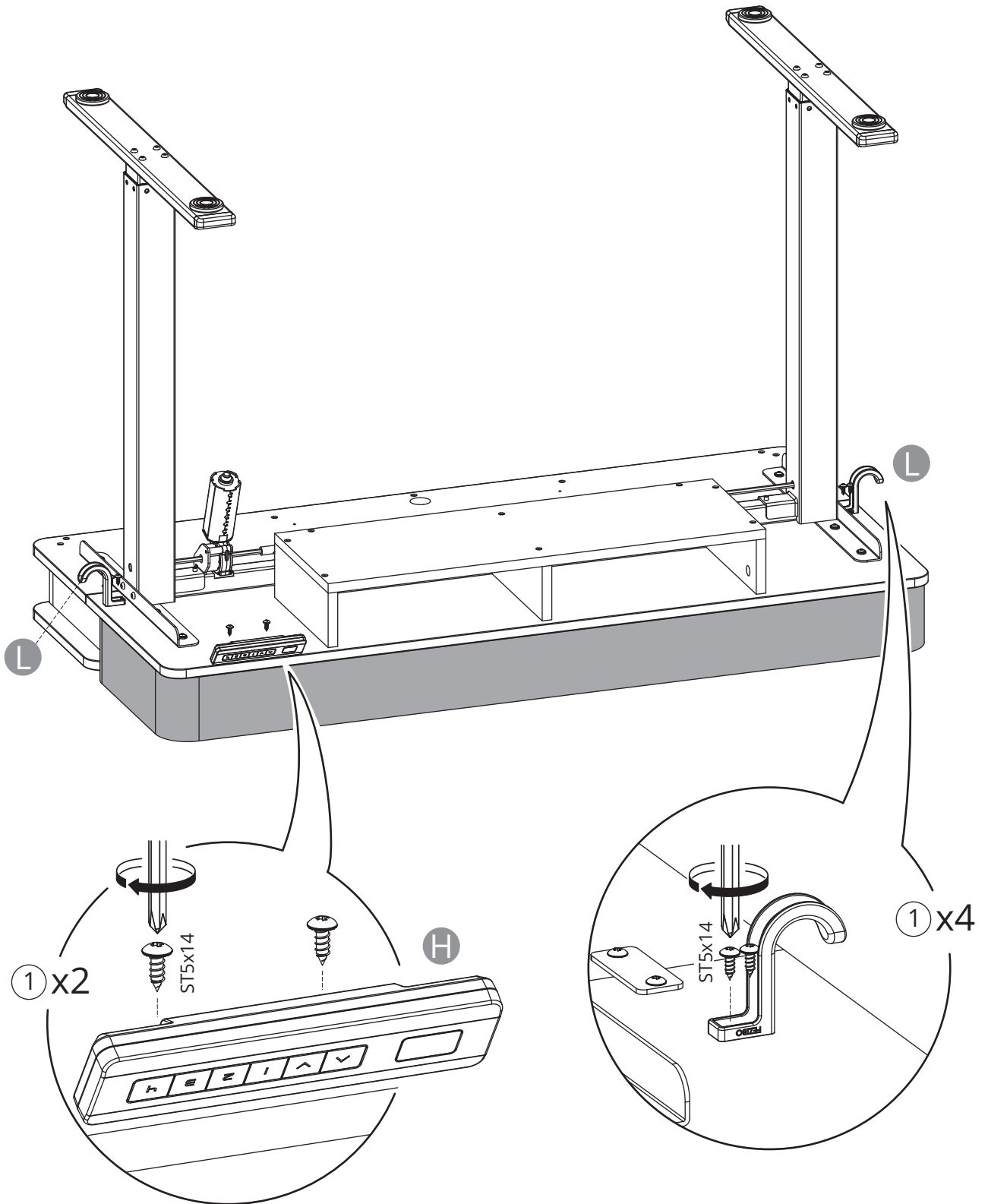
48" :
(120cm)



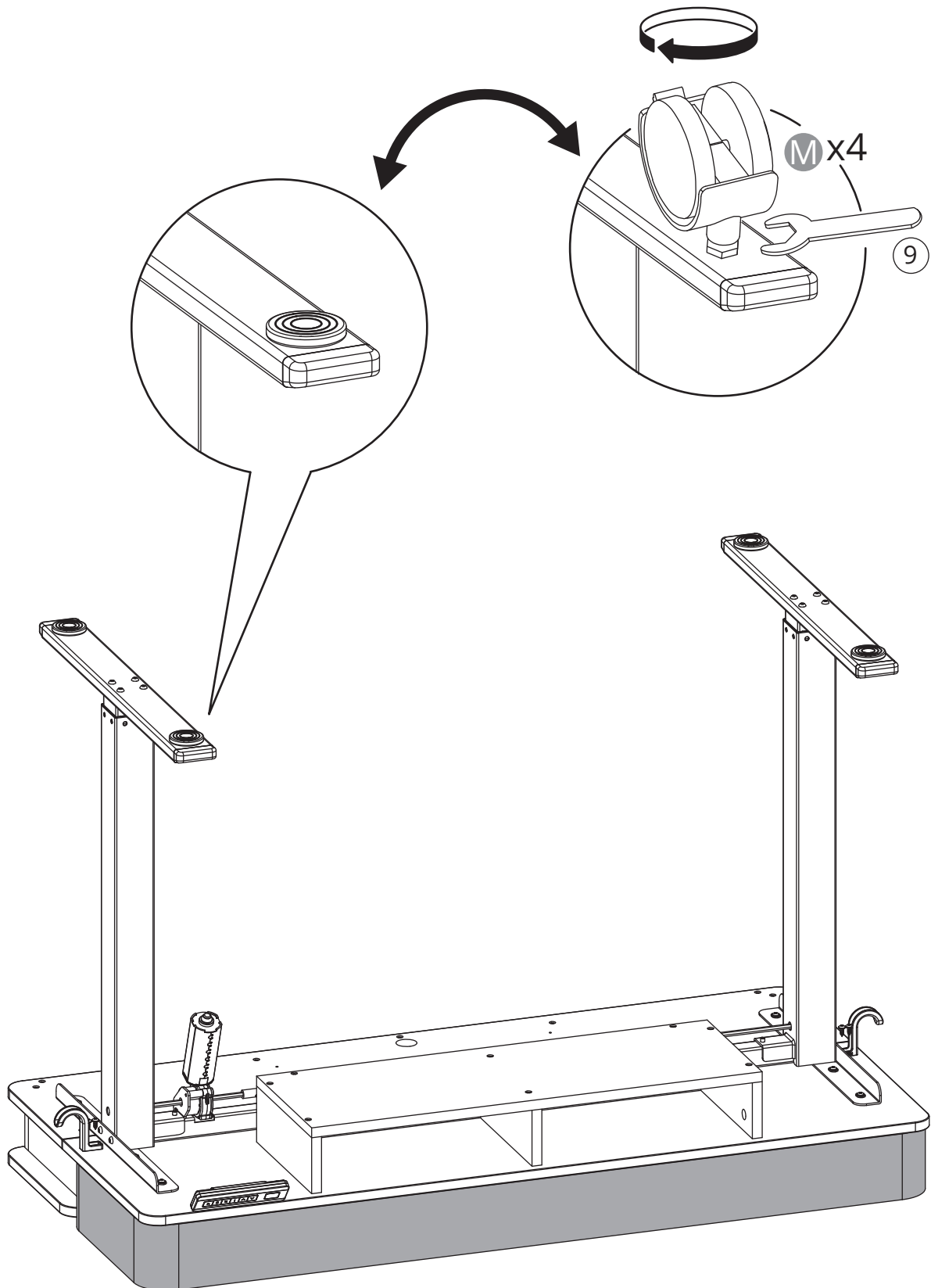
55"/63" :
(140cm/160cm)



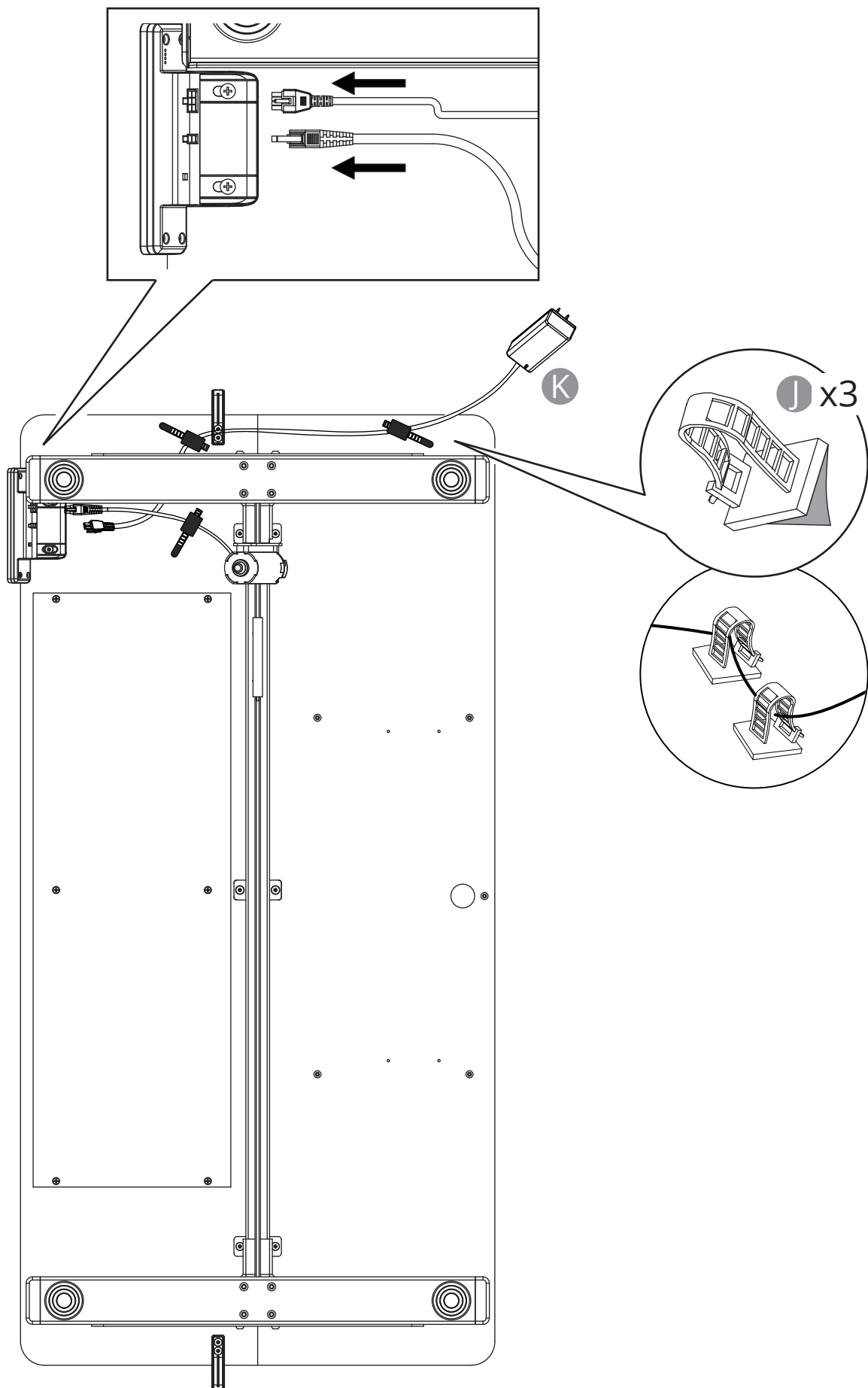
25



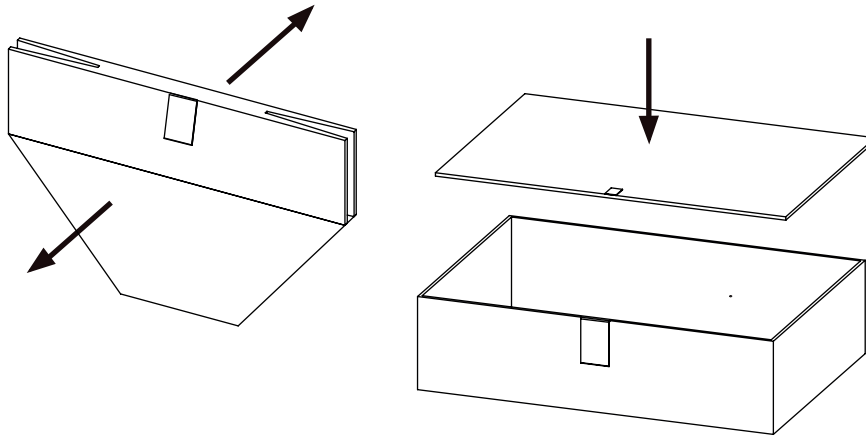
26



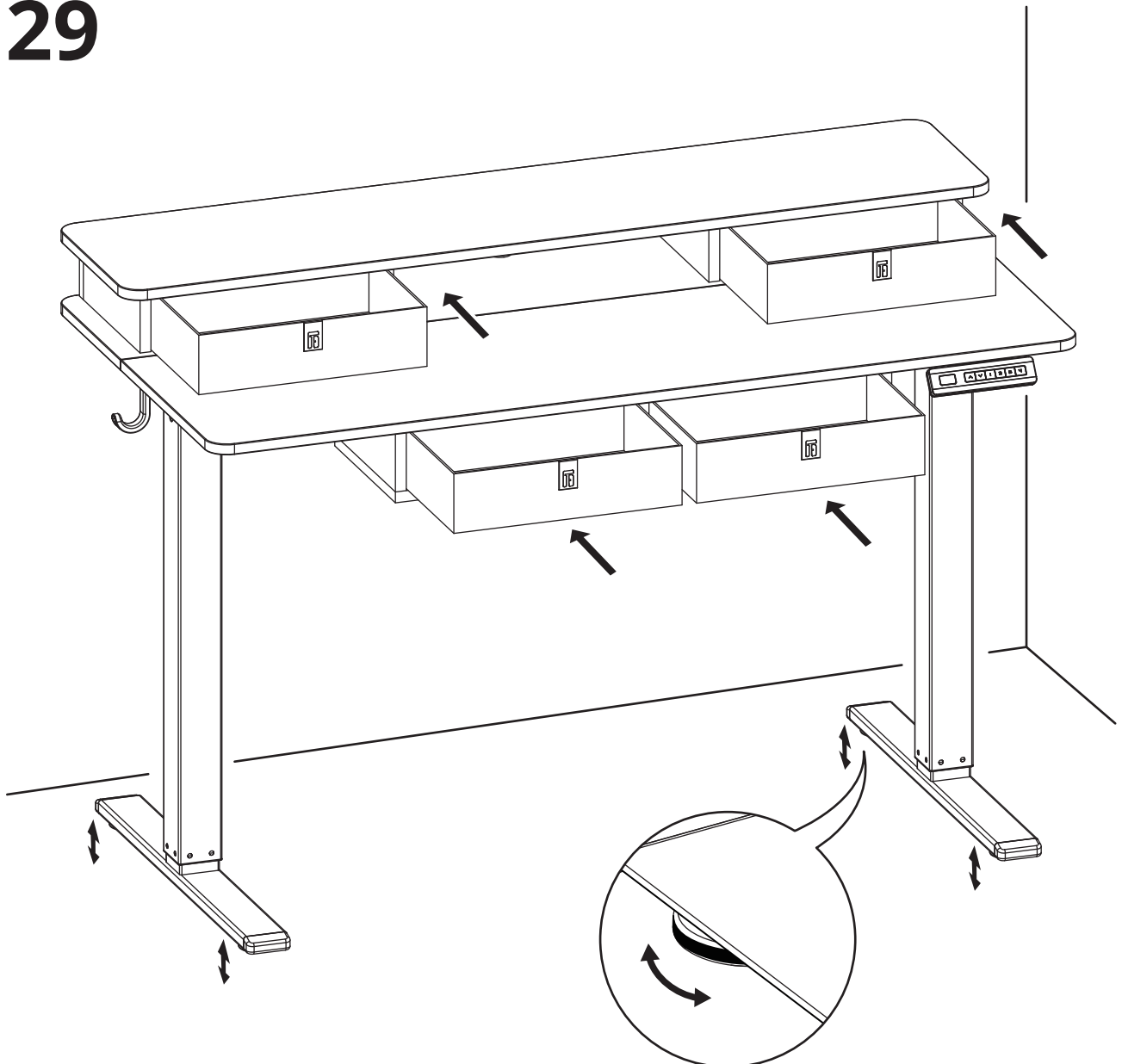
27



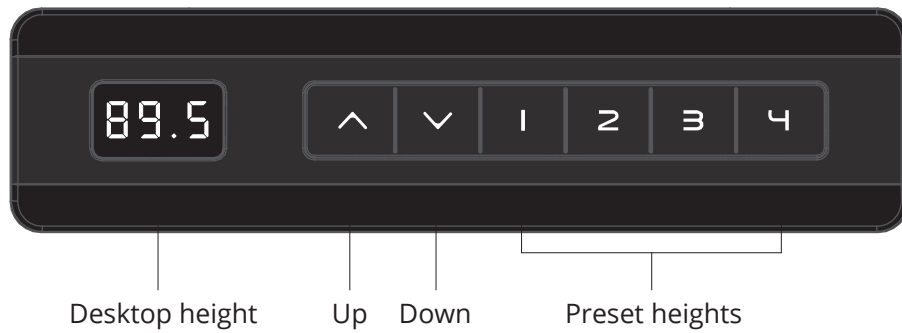
28



29



English

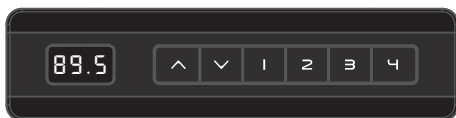


Attention

When the desktop moves up and down, please make sure that there are no obstacles, that the desktop is not close to the wall, and that all wires are long enough.

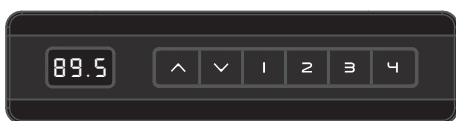
Suggestion

You can preset 1 to the most comfortable height when you sit, 2 to the most comfortable height when you stand, and other numeral buttons to other heights that you want.



Move up/down

1. Press and hold the "^" or "v" button to enable the desktop to move up/down until it reaches its highest/lowest point.
2. Release the "^" or "v" button to enable the desktop to stop (slowly).



Long press for 3s

Set memory location/move to stored height

Store height: Four heights can be stored. when the desktop moves to a specific height, long press the "①/②/③/④" button for 3s until the digital number flashes. After the number flashes 3 times, it will stop flashing, and the current height will be stored to the corresponding memory location successfully.

Move to stored height: Short press the "①/②/③/④" button. The height stored in the memory location will be displayed and flash, and the desktop will move automatically to the stored height. You can press any button to stop the desktop during its movement.



Long press for 5s

Reset

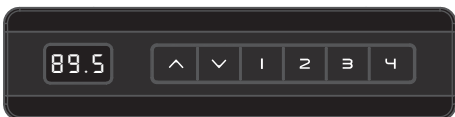
1. Long press the "∨" button for 5s. "RST" will appear on the display screen.
2. After releasing the "∨" button, long press it again. At this time, the standing desk automatically moves down to the mechanical zero location at 50% of the rated speed, and then moves up to the lowest point and stops. Then the digital display on the screen resumes, indicating that the reset of the standing desk is completed.



Long press for 3s

Lock/unlock

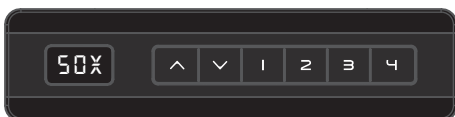
1. Press and hold the ① and ② buttons simultaneously for 3s. The display screen will show "LOC", indicating that the keypad has been locked successfully. When you press any button afterwards, the top of the standing desk will not move, and the display screen will display "LOC".
2. Press and hold the ① and ② buttons simultaneously for 3s. The screen will show the digital display instead of "LOC", indicating that the keypad has been unlocked successfully.



Long press for 3s

Change display unit

1. The factory default height unit of the standing desk is imperial.
2. Press and hold the ① and ③ buttons simultaneously for 3s to switch the digital display unit. When the original digital display unit is imperial, it will be switched to the metric unit, and when the original digital display unit is metric, it will be switched to the imperial unit.



Long press for 3s

Adjust anti-collision sensitivity

- Press and hold the ① and ④ buttons simultaneously for 3s. "S0X" (X is the current sensitivity setting or the factory default setting) will be displayed and flash on the screen. Select another setting by pressing the "∧" or "∨" button, and then press and hold the ① and ④ buttons simultaneously for 3s. "S0X" will stop flashing, and the desktop will return to the current height after 3s.



Long press for 3s

Set/clear minimum height

1. Press and hold the "∨" and "①" buttons simultaneously for 3s. The screen will show "-DO", indicating that the minimum height has been set successfully. When the desktop moves down to the minimum height, the screen will display "-LO".
2. Clear: When the display screen shows "-LO" at the lowest point, press and hold the "∨" and "①" buttons simultaneously for 3s. "-DO" will flash on the screen, and then the minimum height will be cleared.



Long press for 3s

Set/clear maximum height

1. Press and hold the "^" and "①" buttons simultaneously for 3s. The screen will show "-UP", indicating that the maximum height has been set successfully. When the desktop moves up to the maximum height, the display screen will display "-HI".
2. Clear: When the display screen shows "-HI" at the highest point, press and hold the "^" and "①" buttons simultaneously for 3s. "-UP" will flash on the display screen, and then the maximum height will be cleared.

Common problems and solutions

1. If your desk has any of the following problems, please try a reset to solve it.
 - Abnormal operation.
 - The keypad panel displays "RES" (reset).
 - The keypad panel displays an error message (E07, E08), but the motor drive cable is connected normally.
2. If the keypad panel displays "HOT" (hot), please cut off its power to cool it down for 20 minutes.