

Features

- Siphon jet urinal.
- 3/4" top spud.
- 0.5 or 1.0 gpf (1.9 or 3.8 lpf) based on valve selected.
- Siphon jet.
- 3/4" top spud.
- Includes inlet and outlet spuds and hangers.
- Includes anti-backsplash wall.
- 14-1/2"(368 mm) extended rim.
- 0.5 gpf (1.9 lpf) or 1.0 gpf (3.8 lpf).

Material

- Vitreous china.

Water Conservation & Rebates

- WaterSense® compliant when used with WaterSense flushometer.

Recommended Accessories

- K-10675 WaterSense® 0.5 gpf Exposed Flushometer
- K-10958 WaterSense® 0.5 gpf Exposed Flushometer
- K-10961 Exposed Flushometer
- K-13521

Components

Additional included component/s: 3/4" Inlet Spud, 2" Outlet Spud, and Hanger (2 Required).



ADA

Codes/Standards





ASME A112.19.2/CSA B45.1
DOE - Energy Policy Act 1992
EPA WaterSense®
ADA
ICC/ANSI A117.1

KOHLER® One-Year Limited Warranty

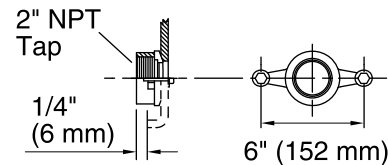
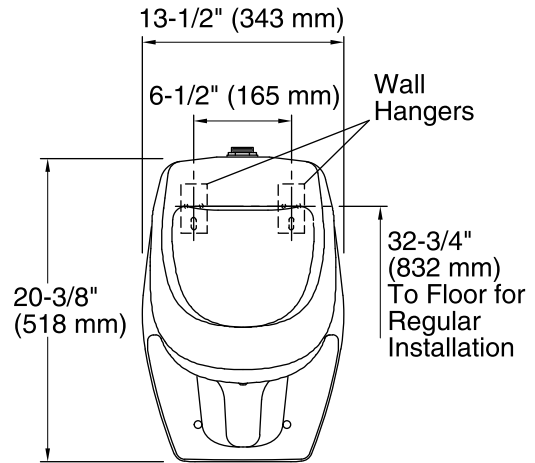
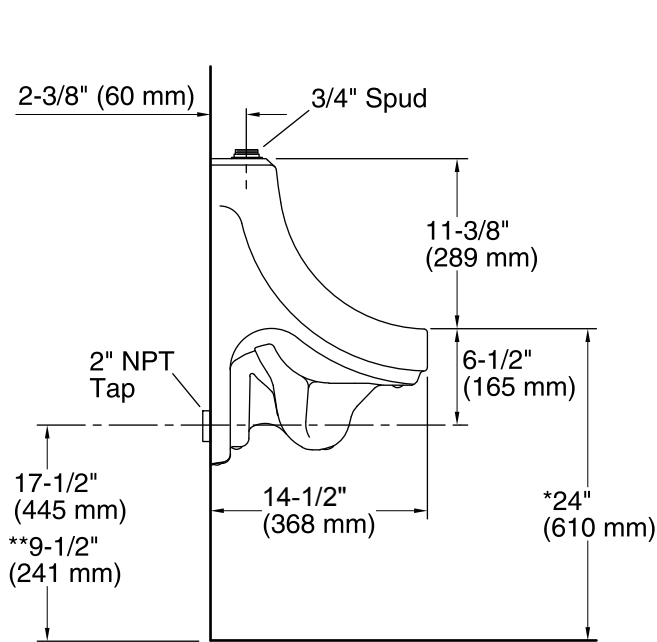
See website for detailed warranty information.

Available Color/Finishes

Color tiles intended for reference only.

Color	Code	Description
	0	White
	96	Biscuit
	47	Almond
	7	Black Black™

*Urinal complies with ADA requirement when rim is mounted no higher than 17" (432 mm) from finished floor.
**Outlet height for ADA compliance.



Spud Detail

Technical Information

All product dimensions are nominal.

Flush outlet technology: Siphon jet

Spud size: 3/4", inlet, Top

Max. Water per Flush: 0.5 gal (1.9 L)

Notes

Install this product according to the installation guide.

Refer to manufacturer's instructions and local codes for flushometer requirements.

ADA compliant when installed to the specific requirements of these regulations.