

## **WARRANTY**

We strive to offer high-quality product and we also try our best to satisfy each customer that orders from us with product or service as needed.

Each customer a record of their order such as the order number ,or item receipt for any items that are out of the warranty period you may also still receive replacement parts by purchasing them with our company if they are available.

**Are you having difficulty  
with assembly? Missing parts?**

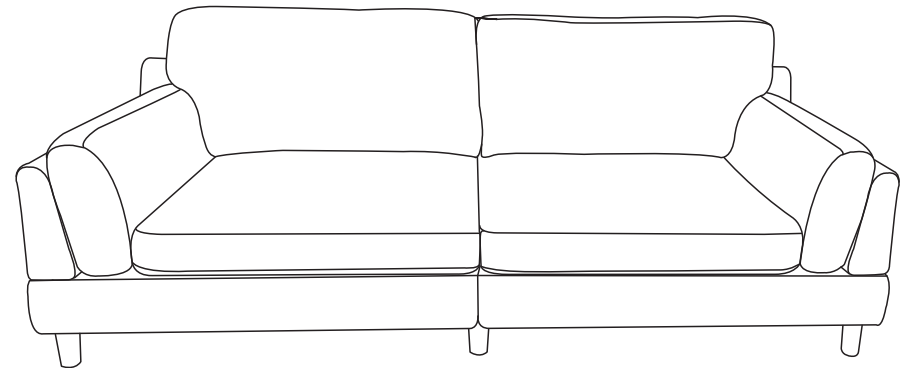
**Please contact us**

**send an email with your order No. to us**

**For return, please check the return policy with  
the retailer or market place you bought from.**

**Appreciate your purchasing from us.**

**Pop up your life by our furniture !**



---

### **NOTE:**

This brochure contains IMPORTANT safety info. Please read and keep for future reference.

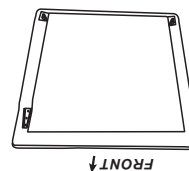
---

# MAINTENANCE AND WARNING

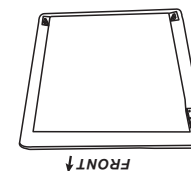
- Keep furniture away from heat and fire.
- Keep furniture away from sharp objects.
- Do not clean furniture with harsh cleansers or polish. Do not use detergents, Solvents, abrasives, spray packs or leather cleaner. Use non-color mild soap with warm water clean spills(Mix 1:10 soap to water)
- Do not place furniture under direct sunlight, material will possibly fade over time.
- Do not jump or strike on the furniture.
- Do not write on furniture without a padded barrier to protect the surface.
- Not for commercial use, For residential use only.

# PARTS LIST

A-L:  
Left side seat frame



A-R:  
Right side seat frame



B-L:  
Left side armrest



B-R:  
Right side armrest



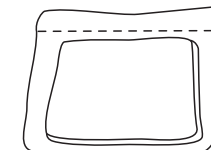
C-L:  
Left side  
backrest frame



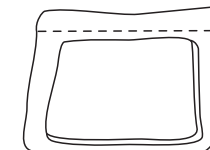
C-R:  
Right side  
backrest frame



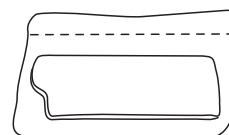
D-L:  
Left side seat  
cushion packed  
in compression  
bag x 1



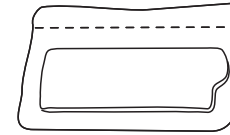
D-R:  
Right side seat  
cushion packed  
in compression  
bag x 1



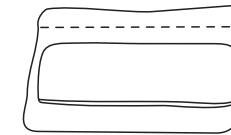
E-L:  
Left side back  
cushion packed  
in compression  
bag x 1



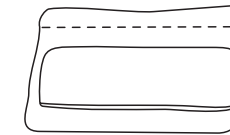
E-R:  
Right side back  
cushion packed  
in compression  
bag x 1



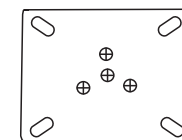
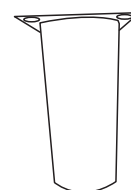
F-L:  
Left side arm  
cushion packed  
in compression  
bag x 1



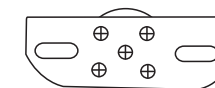
F-R:  
Right side arm  
cushion packed  
in compression  
bag x 1



G-1:  
Legs x6



G-2:  
Middle leg x 1

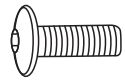


Weight Limitation

**400LBS Per Seat Unit**

# HARDWARE and TOOL LIST

H x 26



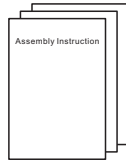
M6x35

I x 1



M6

J x 1



Assembly Instruction

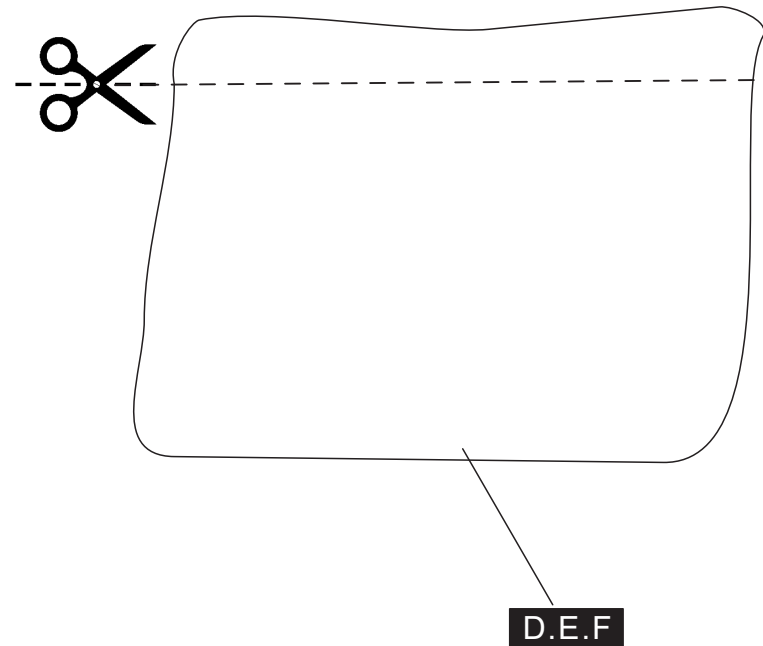
Packed in 2 small boxes

Be sure to check all packing material fitting the packing list. Be careful for small parts, which may have come loose inside the carton during shipment.

# ASSEMBLY INSTRUCTIONS

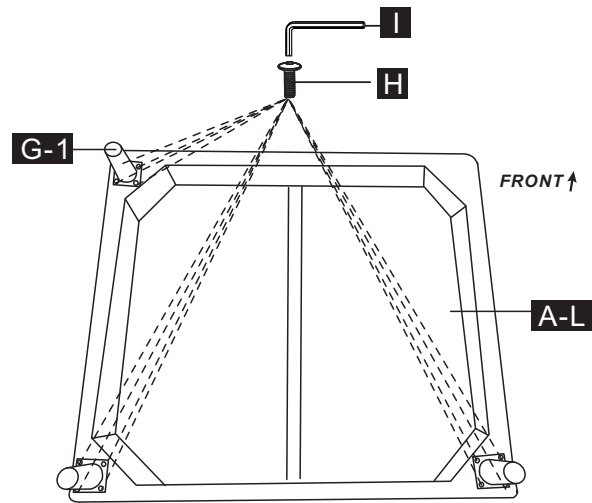
## step 1

Take the compressed soft cushion out of the compression bag and allow it to recover for a period of time. It takes about 24 hours for cushions to fully recover, and you can slap the cushions to speed up the recovery.



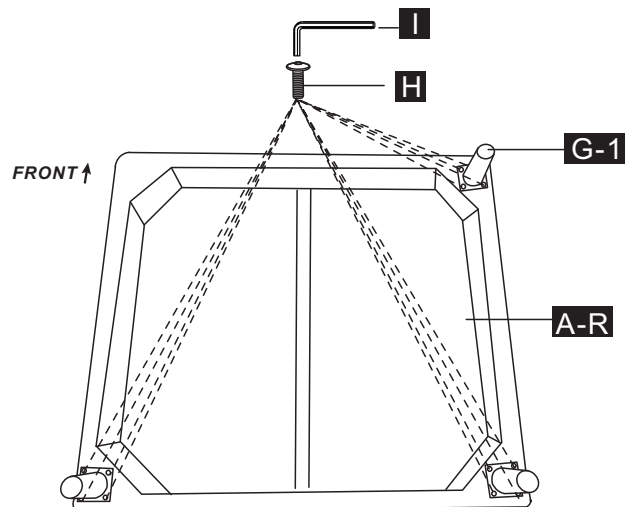
## step2

Screw in to assemble legs onto left side seat frame.



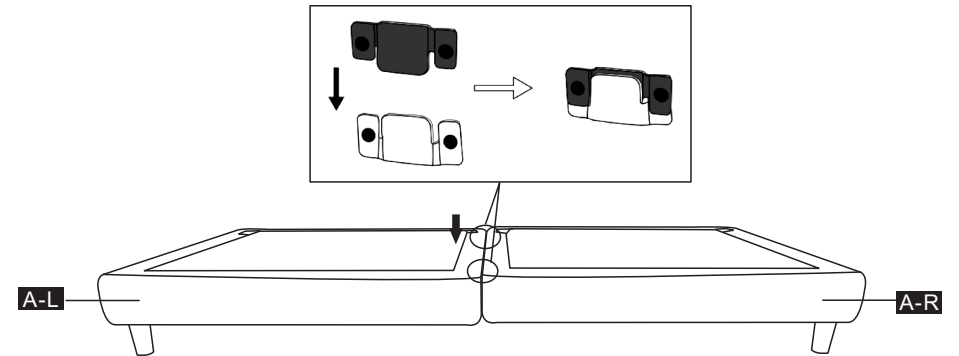
## step3

Screw in to assemble legs onto right side seat frame.



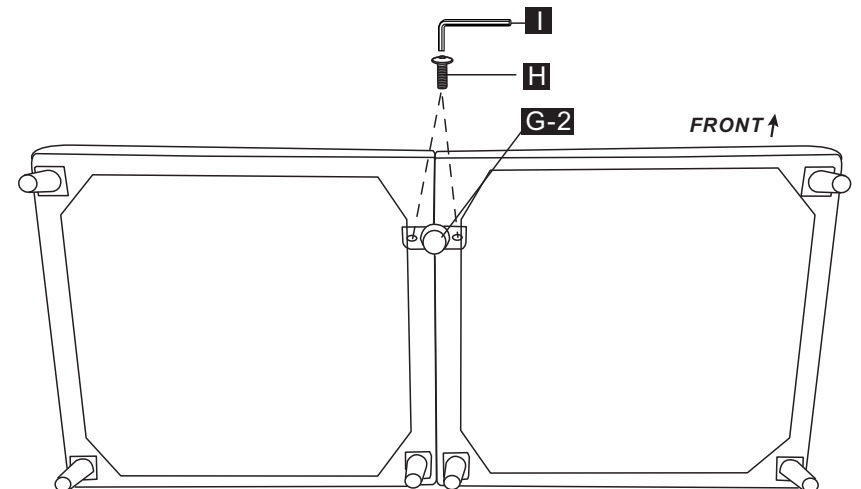
## step4

Assemble left side seat frame and right side seat frame by using the hooks.



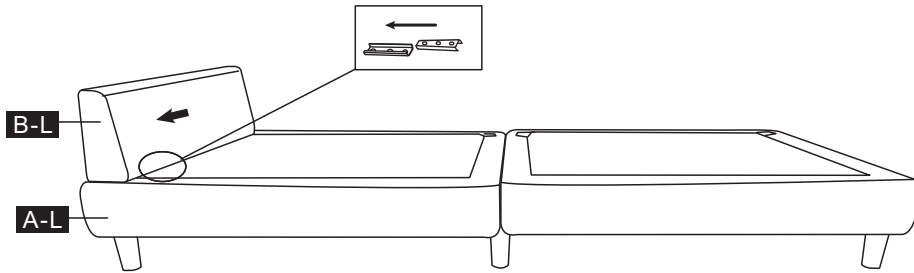
## step5

Put the seat frame upright.  
Screw in to assemble the middle leg onto seat frame.  
Put down the seat frame after it's done.  
Make sure all legs are in level and touching the ground.



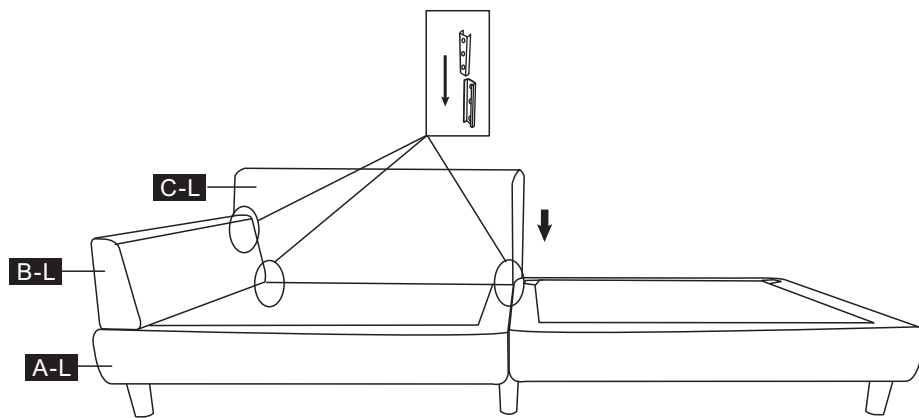
## step6

Assemble left side armrest onto left side seat frame by using hooks.



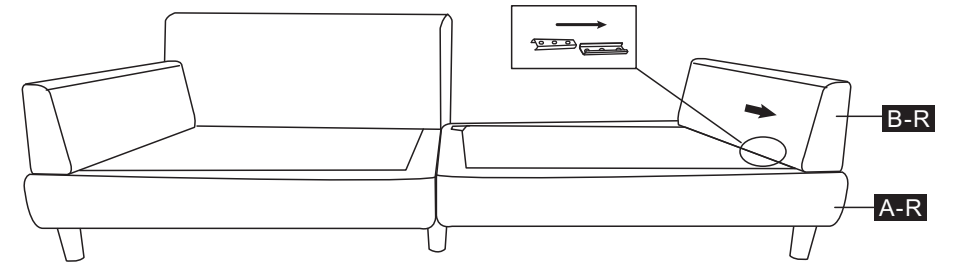
## step7

Assemble left side backrest frame onto left side seat frame by using hooks.



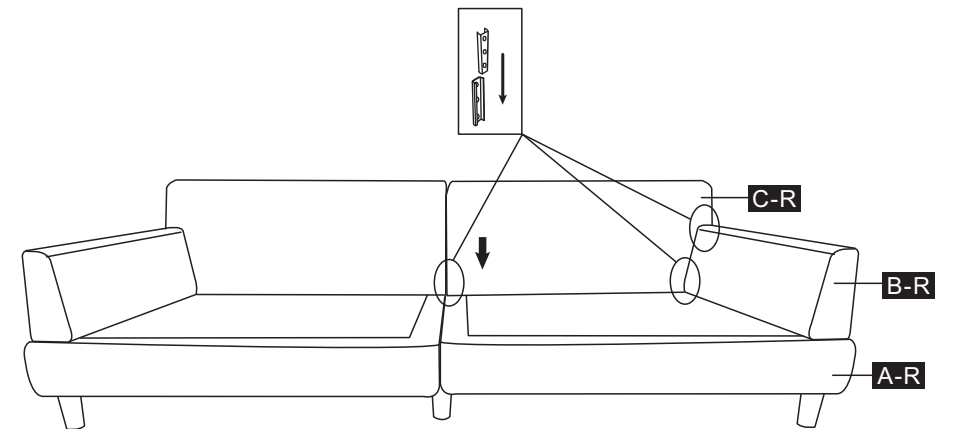
## step8

Assemble right side armrest onto right side seat frame by using hooks.



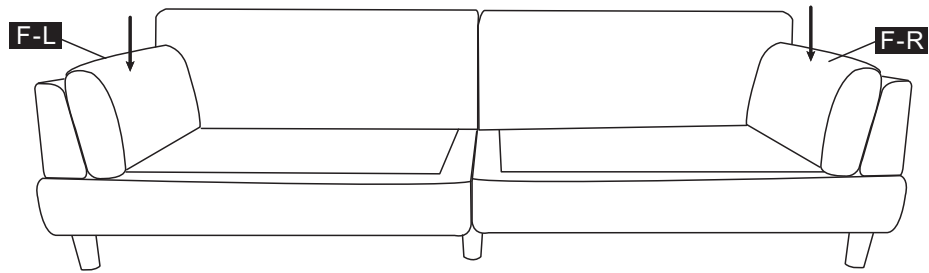
## step9

Assemble right side backrest frame onto right side seat frame by using hooks.



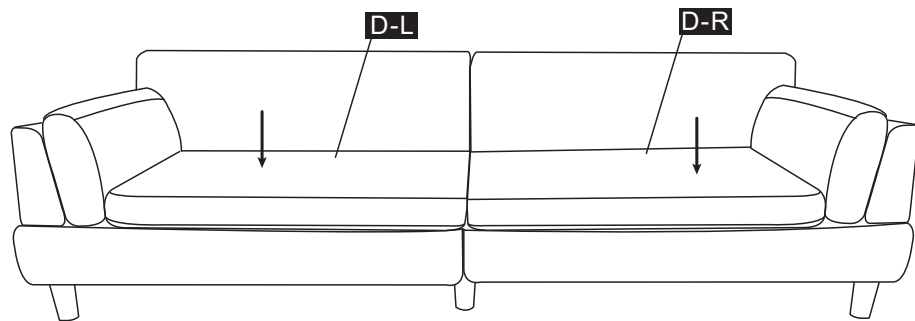
## step10

Put the armrest cushions onto seat frame.



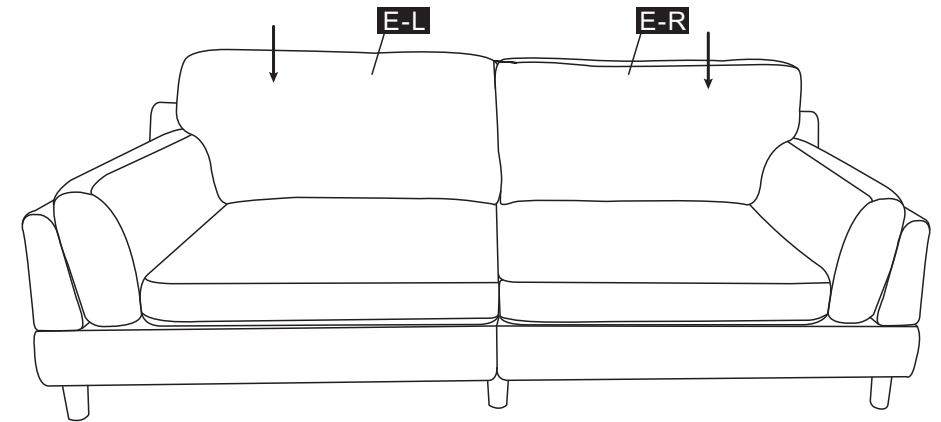
## step11

Put the seat cushions onto seat frame.



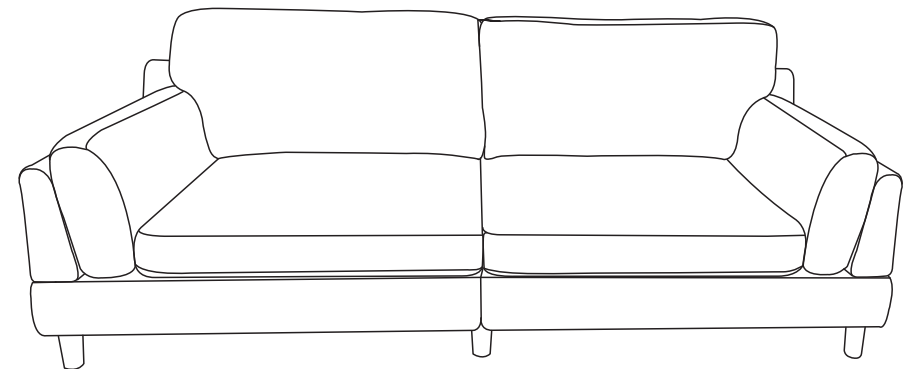
## step12

Put the backrest cushions onto backrest frame.



## step13

The compressed soft cushions need some hand massage to make them look nice.



**FINISH!**