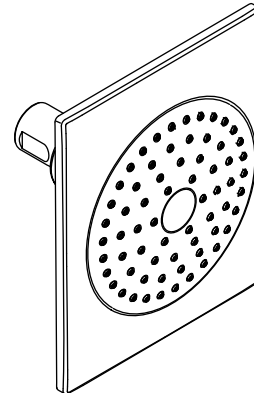


Features

- MasterClean™ spray nozzles prohibit mineral build-up
- 1/2" - 14 NPT connection
- Single-function spray
- Available with 66 MasterClean™ nozzles [K-14786]
- Available with 48 MasterClean™ nozzles [K-45215]
- 2.5 gpm (9.5 lpm) [K-14786] or 2.0 gpm (7.6 lpm) [K-45215] maximum flow rate

**SHOWERHEAD
K-14786
ALSO K-45215**



Codes/Standards Applicable

Specified model meets or exceeds the following:

- ASME A112.18.1/CSA B125.1
- Energy Policy Act of 1992

Colors/Finishes

- CP: Polished Chrome
- Other: Refer to Price Book for additional colors/finishes

Accessories

- CP: Polished Chrome
- Other: Refer to Price Book for additional colors/finishes

Specified Model

| Model | Description | Colors/Finishes | |
|-------------------------|--|-----------------------------|--------------------------------------|
| K-14786 | Showerhead – 2.5 gpm (9.5 lpm) with 66 MasterClean nozzles | <input type="checkbox"/> CP | <input type="checkbox"/> Other _____ |
| K-45215 | Showerhead – 2.0 gpm (7.6 lpm) with 48 MasterClean nozzles | <input type="checkbox"/> CP | <input type="checkbox"/> Other _____ |
| Recommended Accessories | | | |
| K-14679 | Contemporary shower arm and square flange – 7-1/2" (191 mm) length, 1/2" NPT | <input type="checkbox"/> CP | <input type="checkbox"/> Other _____ |

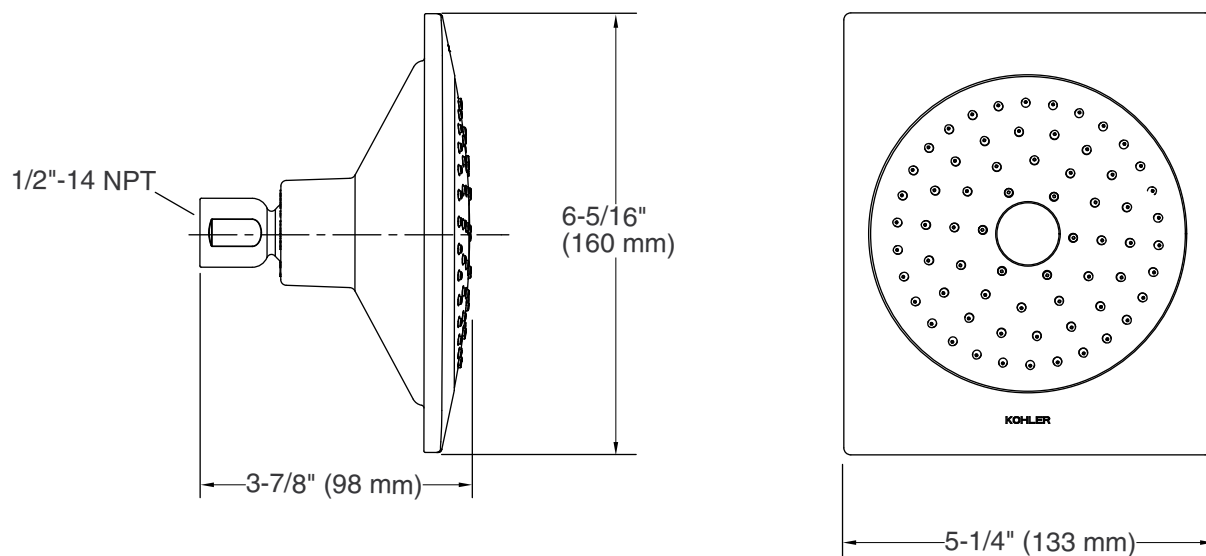
Product Specification

Showerhead shall feature a 1/2" - 14 NPT connection. Showerhead shall feature MasterClean spray nozzles to prohibit mineral build-up. Showerhead shall be available as a single-function spray. Showerhead shall be available with 66 MasterClean nozzles [K-14786]. Showerhead shall be available with 48 MasterClean nozzles [K-45215]. Showerhead shall have a flow rate of 2.5 gallons per minute (9.5 lpm) [K-14786] or 2.0 gallons per minute (7.6 lpm) [K-45215]. Showerhead shall be Kohler Model K-____-____.

LOURE™

Installation Notes

Install this product according to the installation guide.



Product Diagram