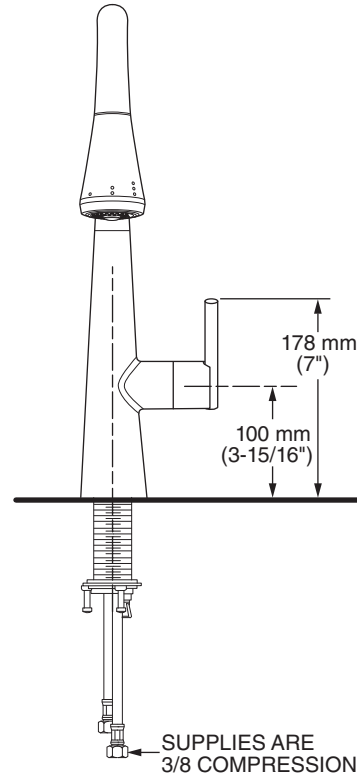
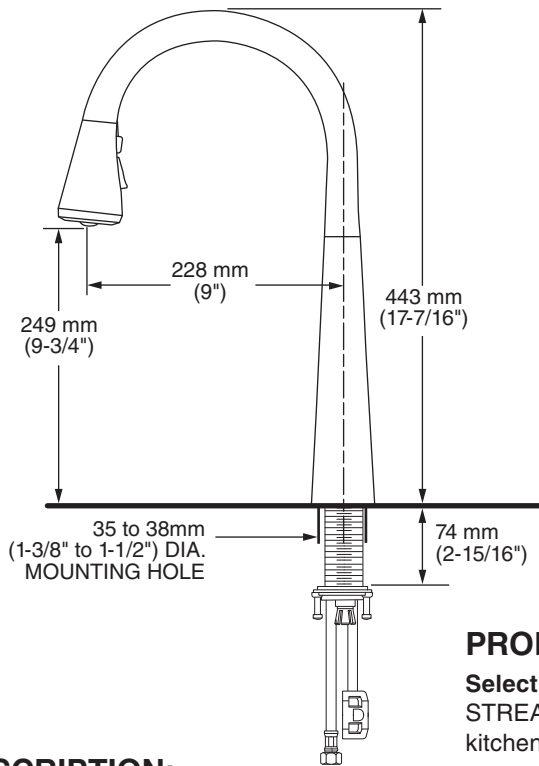




**MODEL NUMBER:**

☐ 4932.300 Pull-Down Kitchen Faucet



**GENERAL DESCRIPTION:**

High arc brass spout with pull-down SelectFlo™ 4 function spray head with pause feature. Metal body and 2 part ADA metal lever handle. Toggle down into spray mode and rotate dial to select desired spray. Washerless 35 mm ceramic disc valve cartridge. Braided flexible Stainless Steel supply hoses with 3/8" compression connections. Metal mounting shank with brass fixation ring. Complete with two integral check valves. 1.5 gpm / 5.7 L/ min. maximum flow rate. Fitting can be mounted with or without escutcheon plate (sold separately).

**PRODUCT FEATURES:**

**SelectFlo™ Spray Head:** 4 function spray with pause offers STREAM, SPRAY, MIST and JET sprays to perform various kitchen tasks.

**Re-Trax™ spray head retraction system:** Spray hose technology system to ensure smooth pull-out, operation, and retraction of spray head.

**Ceramic Disc Valve Cartridge:** Assures smooth, precise valve control and a lifetime of drip-free, maintenance-free performance.

**Lead Free:** Faucet contains ≤ 0.25% total lead content by weighted average.

**Integral Check Valves:** Prevents back flow.

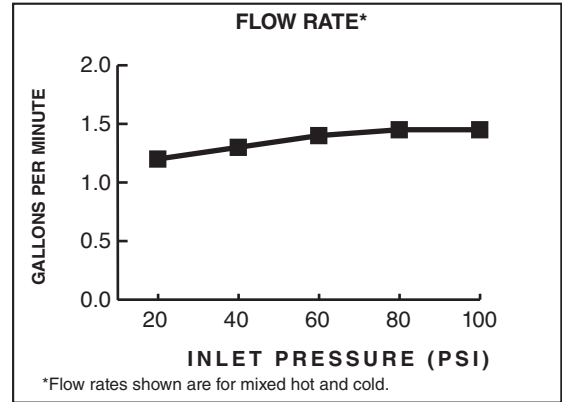
**SUGGESTED SPECIFICATION:**

Single control kitchen pull-down faucet shall feature a high arc brass swivel spout with pull-down SelectFlo™ spray, and metal lever handle. Shall also feature washerless ceramic disc valve cartridge and flexible Stainless Steel supply hoses. Faucet shall be American Standard Model # 4932.300.\_\_\_\_.

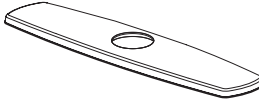
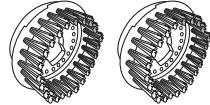
**CODES AND STANDARDS**


These products meet or exceed the following codes and standards:

- ANSI A117.1**
- ASME A112.18.1**
- CSA B125.1**
- NSF 61/Section 9**
- NSF 372**



**1.5 gpm/5.7 L/min. FLOW RATE**

Product Number	Description	Finish Options	
		Polished Chrome	PVD Stainless Steel
		002	075
4932.300	Edgewater SelectFlo™ Pull-Down Kitchen Faucet		
1660.151	Kitchen Faucet Deck Plate 		
1660.403	SELECTFLO® Scrub Brush Set of 2 		

 Meets the American Disabilities Act Guidelines and **ANSI A117.1** Requirements for the physically challenged.