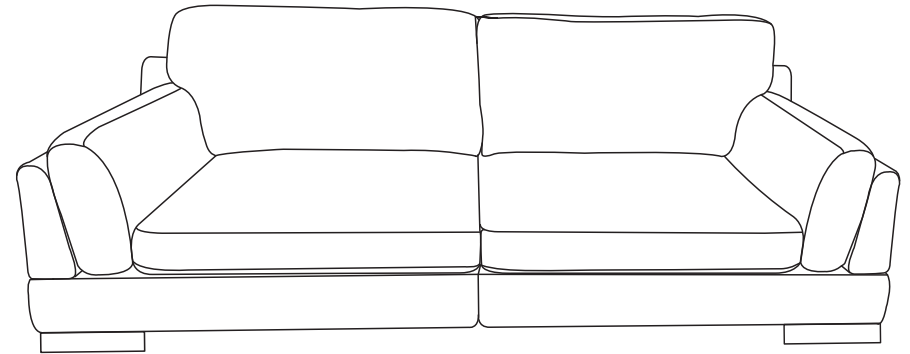


## WARRANTY

We strive to offer high-quality product and we also try our best to satisfy each customer that orders from us with product or service as needed.

Each customer a record of their order such as the order number, or item receipt for any items that are out of the warranty period you may also still receive replacement parts by purchasing them with our company if they are available.



---

### NOTE:

This brochure contains IMPORTANT safety info. Please read and keep for future reference.

---

# MAINTAINANCE AND WARNING

- Keep furniture away from heat and fire.
- Keep furniture away from sharp objects.
- Do not clean furniture with harsh cleansers or polish. Do not use detergents, Solvents, abrasives, spray packs or leather cleaner. Use non-color mild soap with warm water clean spills(Mix 1:10 soap to water)
- Do not place furniture under direct sunlight, material will possibly fade over time.
- Do not jump or strike on the furniture.
- Do not write on furniture without a padded barrier to protect the surface.
- Not for commercial use, For residential use only.

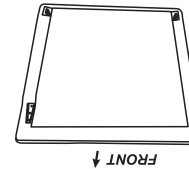


Weight Limitation

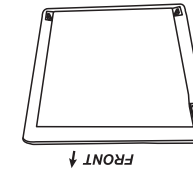
**400LBS Per Seat Unit**

# PARTS LIST

A-L:  
Left side seat frame



A-R:  
Right side seat frame



B-L:  
Left side armrest



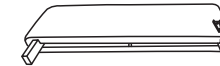
B-R:  
Right side armrest



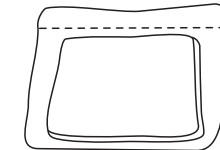
C-L:  
Left side backrest frame



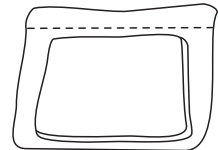
C-R:  
Right side backrest frame



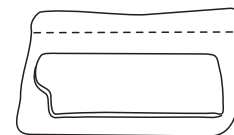
D-L:  
Left side seat cushion packed in compression bag x 1



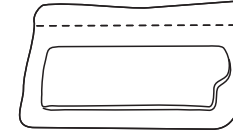
D-R:  
Right side seat cushion packed in compression bag x 1



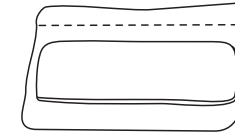
E-L:  
Left side back cushion packed in compression bag x 1



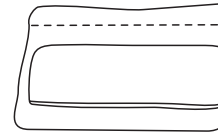
E-R:  
Right side back cushion packed in compression bag x 1



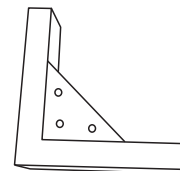
F-L:  
Left side arm cushion packed in compression bag x 1



F-R:  
Right side arm cushion packed in compression bag x 1



G-1:  
Legs x6

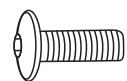


G-2:  
Middle leg x 2



# HARDWARE and TOOL LIST

H x 22



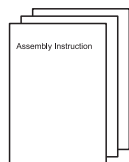
M6x50

I x 1



M6

J x 1



Assembly Instruction

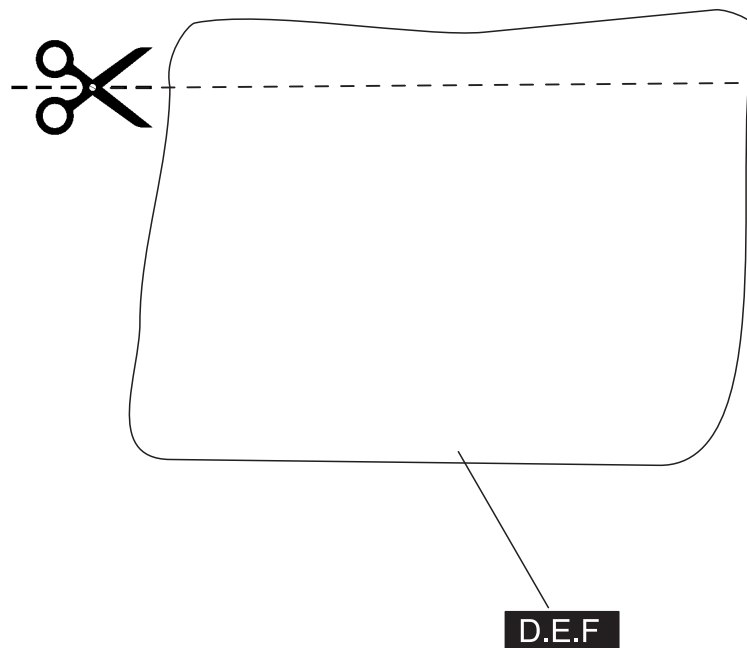
Packed in 2 small boxes

**Be sure to check all packing material fitting the packing list. Be careful for small parts, which may have come loose inside the carton during shipment.**

# ASSEMBLY INSTRUCTIONS

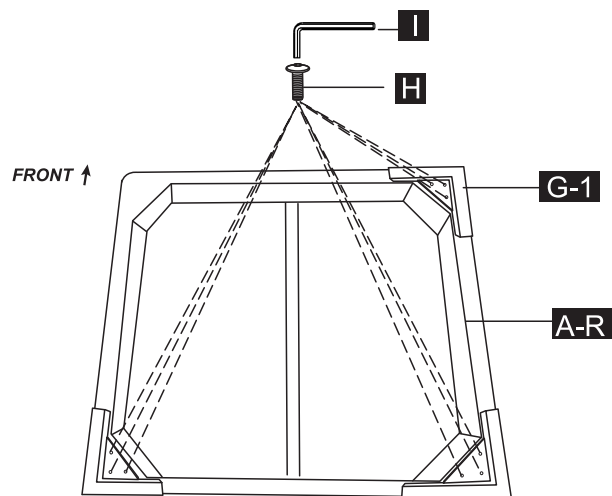
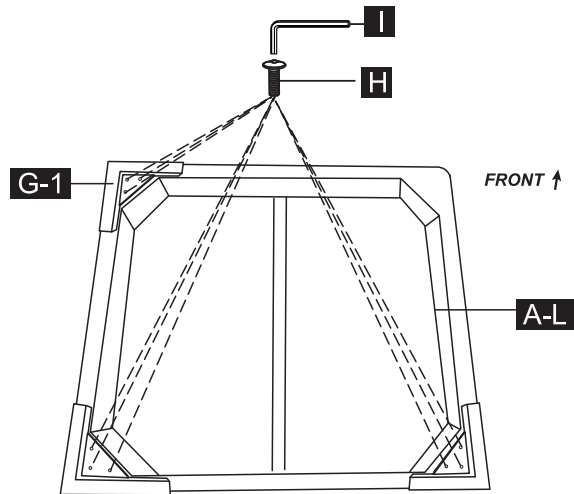
## step1

Take the compressed soft cushion out of the compression bag and allow it to recover for a period of time. It takes about 24 hours for cushions to fully recover, and you can slap the cushions to speed up the recovery.



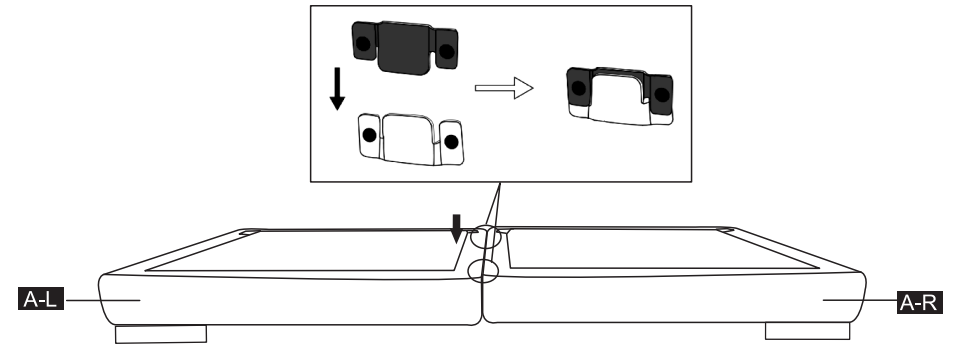
## step2

Put the bottom of the seat frame upward, and place it on a clean plane. Use screws to assemble the L-shaped wooden feet firmly onto the seat frame. There are three L-shaped wooden feet in each of the left and right seat frames (this step does not include the installation of the middle feet).



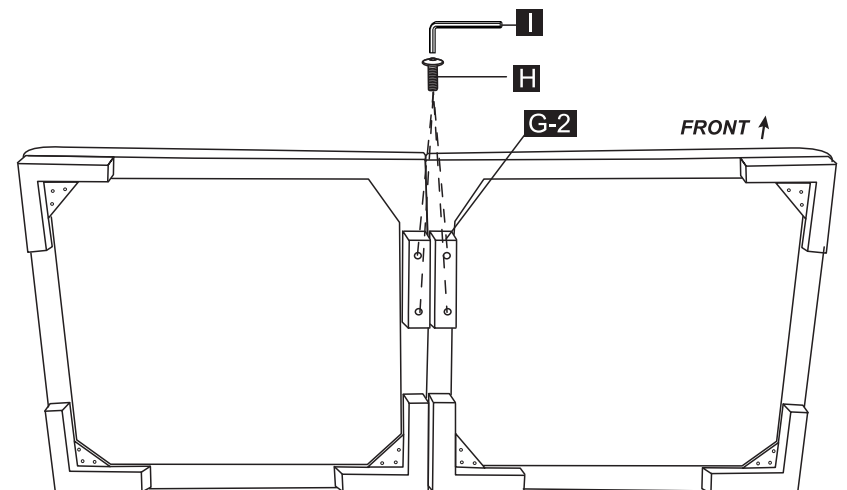
## step3

Assemble left side seat frame and right side seat frame by using the hooks.



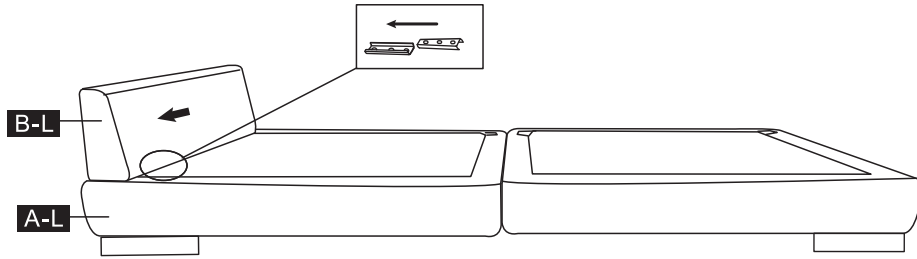
## step4

Put the seat frame upright.  
Screw in to assemble the middle leg onto seat frame.  
Put down the seat frame after it's done.  
Make sure all legs are in level and touching the ground.



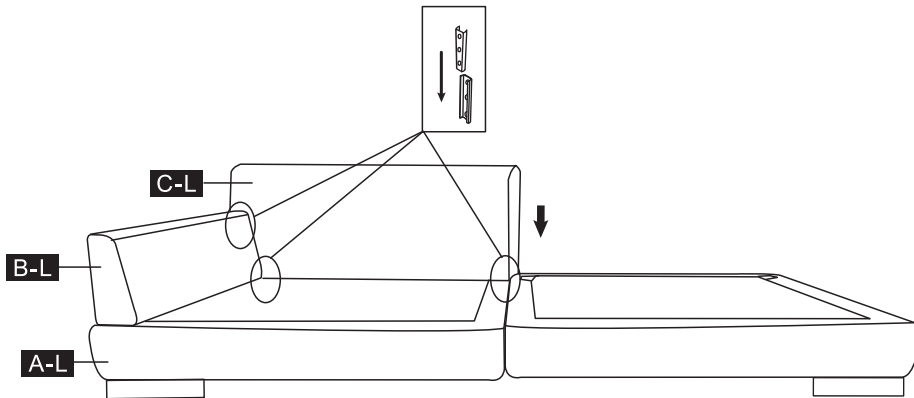
## step5

Align the hook under left side armrest frame and the one on top of left side seat frame. Push the armrest frame towards front to assemble it. Make sure it's in level and sturdy.



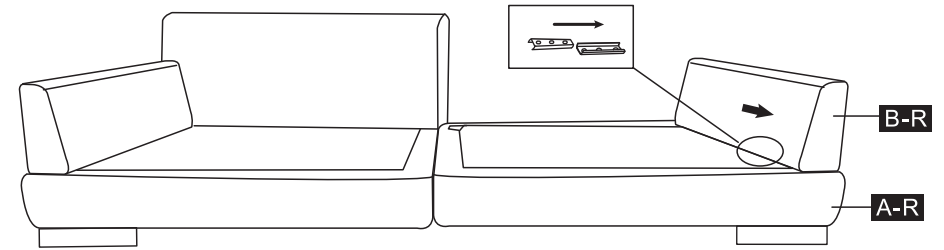
## step6

The bottom two insert connectors of the backrest align with the connectors embedded on both sides of the seat frame and press down. At the same time, an insert connector on the left side of the backrest should be aligned with the connector at the end of the armrest, and press down vigorously to make the backrest, armrest and seat frame closely combined.



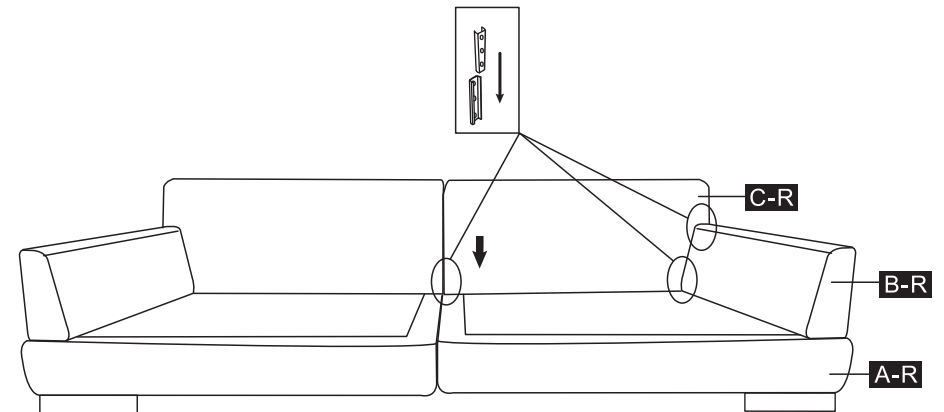
## step7

Align the hook under right side armrest frame and the one on top of right side seat frame. Push the armrest frame towards front to assemble it. Make sure it's in level and sturdy.



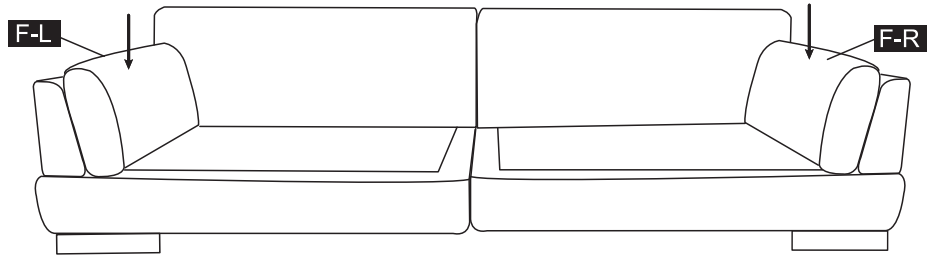
## step8

The bottom two insert connectors of the backrest align with the connectors embedded on both sides of the seat frame and press down. At the same time, an insert connector on the right side of the backrest should be aligned with the connector at the end of the armrest, and press down vigorously to make the backrest, armrest and seat frame closely combined.



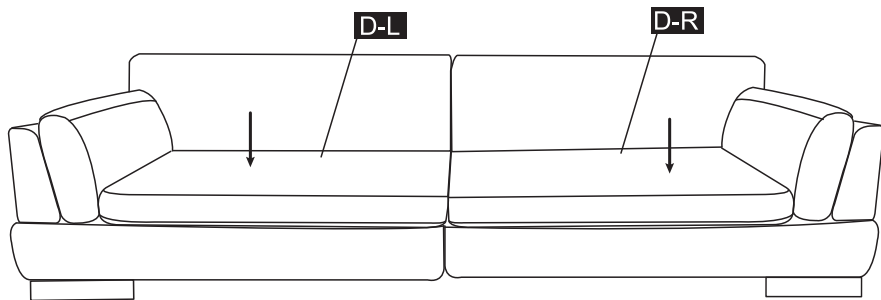
## step9

Put the armrest cushions onto seat frame.



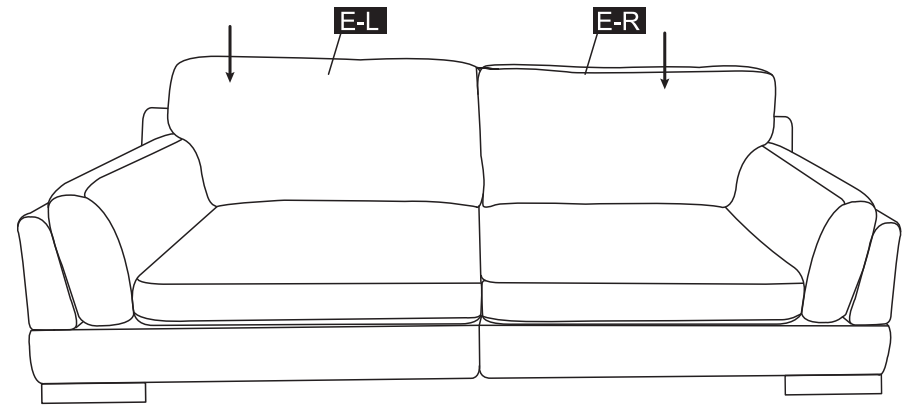
## step10

Put the seat cushions onto seat frame.



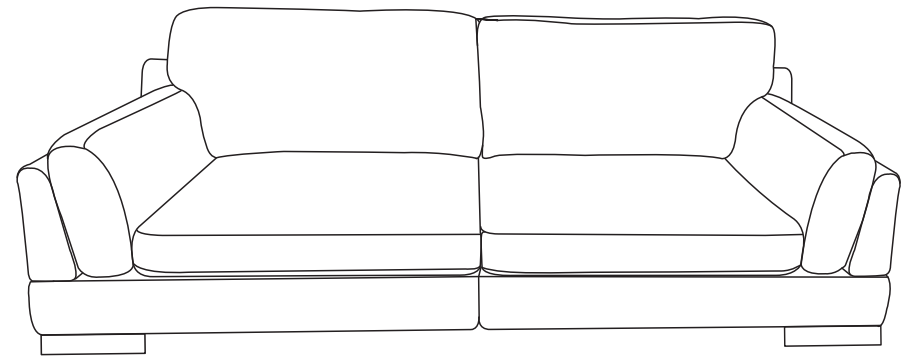
## step11

Put the backrest cushions onto backrest frame.



## step12

The compressed soft cushions need some hand massage to make them look nice.



**FINISH!**