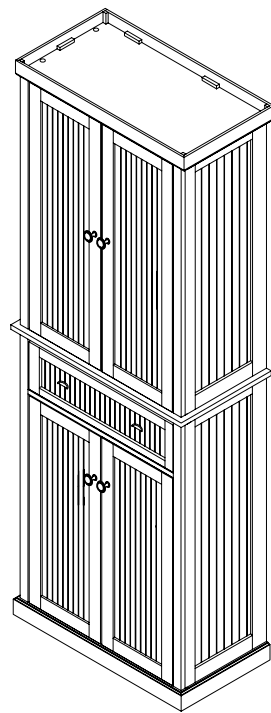


# Kitchen Pantry





# Care and Maintenance Instructions

## Keeping Your Furniture Beautiful

Quality furniture is a significant investment expected to last for generations. To maintain its beauty and help it last, furniture needs the right care. No finish is totally indestructible. But with regular care, the finish will last much longer, providing years of enjoyment to you.

## Tips to Protect and Care for Your Furniture

1. Avoid placing your furniture in direct sunlight, as sunlight causes fading.
2. Avoid extreme changes in temperature by arranging furniture away from radiators, heat and air vents and air conditioning units.
3. Avoid placing plastic or rubber materials (lamp bases, notebooks, placemats, etc.) on your furniture, as certain plastics contain ingredients that may damage the finish.
4. Periodically rotate accessories on furniture so they do not sit in the same spot all the time.
5. Use pads, cloth or felt to protect the furniture surface from plastic, rubber, hot dishes, beverages, bookends, flowerpots and vases.
6. Clean up spills immediately. Use a blotting rather than a wiping action. Water left over a long period of time will cause white spots in the finish. Alcohol, perfume, after-shave and medications can cause severe finish damage.
7. Use a protective pad when writing on the furniture surface.
8. Lift and place objects rather than dragging them across the furniture surface.
9. Avoid placing furniture directly under windows.

**Wood Furniture Care:** We recommend dusting frequently with a clean, soft, dry, lint-free cloth. Clean the surface by rubbing in the direction of the grain. We recommend polishing your furniture approximately every six months, using a clean, soft, lint-free cloth and rubbing the polish in the direction of the grain. Guardsman furniture polish or any furniture polish that doesn't contain silicone is recommended.

**Leather Furniture Care:** Wipe spills immediately with clean cloth or sponge. For spots or stains and daily cleaning, clean with mild non-detergent soap. Rinse well, gently wipe off, and allow to air dry. Cleaning Butter, Oil or Grease from Leather: Wipe leather with a clean cloth, and leave alone. The oil will be absorbed by the leather. DO NOT APPLY WATER. Also, do not use saddle soap, cleaning solvents, furniture polish, oils, varnish, abrasive cleaners, ammonia or any other type of chemical solution.

**Granite Furniture Care:** Our granite is not sealed, so you may want to apply an over-the-counter sealant, which will provide a small amount of surface protection, but we still recommend cleaning spills promptly. Use a slightly damp cloth to clean as needed. Wipe dry. We also do not recommend using abrasive cleaners, chemical solvents, strong detergents, cleaners with bleach, and furniture polish. Be sure to use trivets, coasters, placemats, and adhesive felt pads to help prevent scratches.

**Wicker Furniture Care:** Regular cleaning is recommended for wicker, as it generally cannot endure harsh or abrasive treatments. This also minimizes mildew buildup. To remove dirt and debris, vacuum with a dust-brush attachment or use a dry paintbrush. Clean with a mild soap solution. Scrub, and rinse. Avoid using too much water, which can weaken the fibers. Avoid sitting on the wicker when still damp, which can cause wicker to sag.

**Metal Furniture Care:** Because most metals, except aluminum, are subject to rust, metal furniture is usually finished with layers of clear varnish, paint, or a durable powder coating. Use a mild soap solution, and scrub, rinse, and dry. After cleaning, apply a coat of quality liquid or paste auto wax with a lint-free cloth if recommended by the furniture's manufacturer. Use a silicone spray to lubricate swivels and glides on chairs

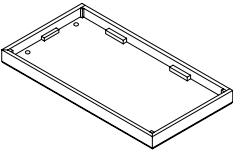
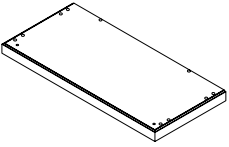

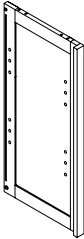
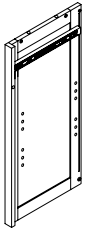
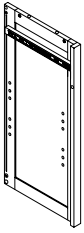
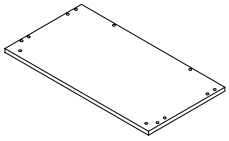
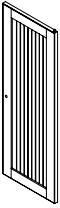

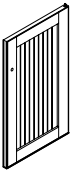
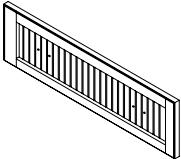
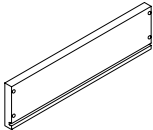
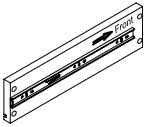
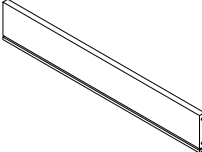
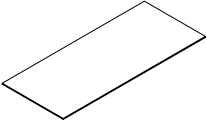
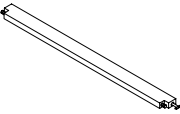
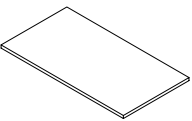
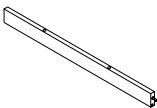

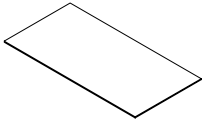
**Butcher Block Care:** For best results, clean finished butcher block surfaces with soapy water or commonly available kitchen counter top cleaners. Do not use abrasives or powder cleansers. Do not allow moisture stand on the surface for prolonged periods of time. To sanitize, rinse the butcher block with white vinegar by using a vinegar-water solution in a spray bottle, spritz the butcher block all over. Let sit for a while. While that sits, make a lemon salt mixture by pouring about 1/4 cup salt into a bowl, and stir in enough lemon juice to make a paste, adjust the consistency as you go, to make a workable paste. The final step, using a scrub brush, thoroughly scrub your butcher block with the lemon-salt paste. If the paste gets too dry, sprinkle on a little more lemon juice. Rinse well, and squeegee off as much water as you can, and then let it dry overnight. Make sure to seal it before you get it dirty

again. Pour out a small amount of oil, and rub it into the wood using a cloth or paper towel. As the oil soaks in, add more and continue rubbing and polishing with the grain until the oil is absorbed. The first time you seal your butcher block, it may take several applications before it stops "drinking" oil, but in later cleanings you'll just need to refresh it. Keep adding oil until no more soaks in, remove any excess with a cloth.


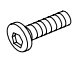
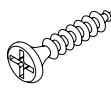
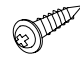

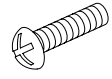
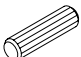




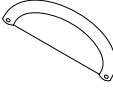
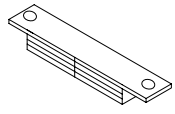

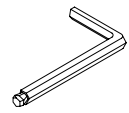

**Outdoor Cushion Care:** Please note our cushions are made from a polyester foam, and the covers are made from a moisture resistant polyester blend. This does not mean they are waterproof! Cushions should be stored and covered when not in use to protect them from rain, sunlight, and other staining agents. We do not recommend leaving cushions out in inclement weather, and if cushions become wet, please dry them immediately by removing the cushion from the cover so they can dry separately. Wring out any excess moisture before drying. Air dry only!

**Outdoor Furniture Storage:** We highly recommend storing any outdoor furniture during the winter and/or rainy seasons. Before storing your furniture, please ensure all moisture collected in the frame tubes has been drained out and dried. When outdoor furniture is not in use, we recommend covering all the furniture to protect it against the elements.

# PART LIST

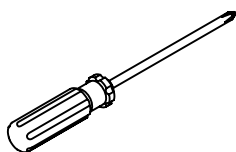
<b>A</b> 	<b>B</b> 	<b>C</b> 	<b>D</b> 	<b>E</b> 
Top Panel 1 PC	Bottom Panel 1 PC	Upper Left Side Panel 1 PC	Upper Right Side Panel 1PC	Lower Left Side Panel 1 PC
<b>F</b> 	<b>G</b> 	<b>H</b> 	<b>I</b> 	<b>J</b> 
Lower Right Side Panel 1 PC	Middle Shelf 1 PC	Upper Door 2 PCS	Lower Left Door 1 PC	Lower Right Door 1 PC
<b>K</b> 	<b>L</b> 	<b>M</b> 	<b>N</b> 	<b>O</b> 
Drawer Front Panel 1 PC	Drawer Left Side Panel 1 PC	Drawer Right Side Panel 1 PC	Drawer Back Panel 1 PC	Drawer Bottom Panel 1 PC
<b>P</b> 	<b>Q</b> 	<b>R</b> 	<b>S</b> 	<b>T</b> 
Front Rail 1 PC	Adjustable Shelf 4 PCS	Back Rail 4 PCS	Back Partition Rail 2 PCS	Back Panel 4 PCS

# HARDWARE LIST

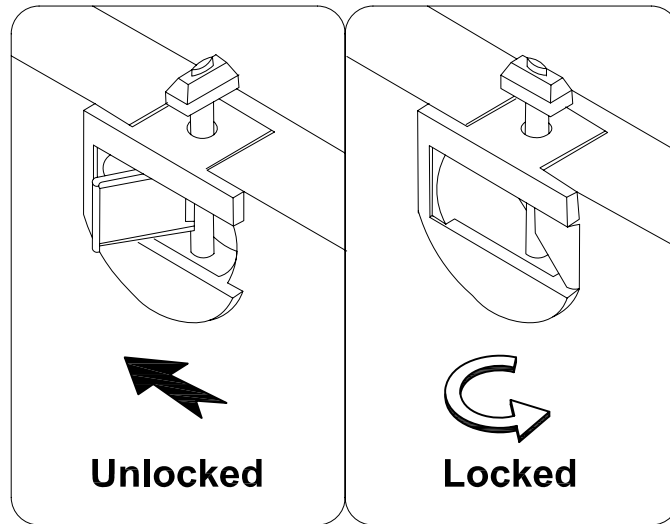
<p><b>#1</b></p>  <p>Ø1/4"*1-3/4"</p>	<p><b>#2</b></p>  <p>Ø1/4"*1"</p>	<p><b>#3</b></p>  <p>Ø4mm*7/8"</p>	<p><b>#4</b></p>  <p>Ø3mm*1/2"</p>	<p><b>#5</b></p>  <p>Ø4.5mm*3/8"</p>
<p>Long Hex Socket Head Bolt 13 PCS(Extra 1)</p>	<p>Short Hex Socket Head Bolt 5 PCS(Extra 1)</p>	<p>Long Flat Head Screw 9 PCS(Extra 1)</p>	<p>Screw 33 PCS(Extra 1)</p>	<p>Handle Bolt 5 PCS(Extra 1)</p>
<p><b>#6</b></p>  <p>Ø4.5mm*7/8"</p>	<p><b>#7</b></p>  <p>Ø8mm*1-1/8"</p>	<p><b>#8</b></p>  <p>Ø8mm*2"</p>	<p><b>#9</b></p>  <p>Ø1/4"*11mm</p>	<p><b>#10</b></p>  <p>Ø1/4"*13mm</p>
<p>Knob Bolt 5 PCS(Extra 1)</p>	<p>Wood Dowel 17 PCS(Extra 1)</p>	<p>Long Wood Dowel 7 PCS(Extra 1)</p>	<p>Spring Washer 17 PCS(Extra 1)</p>	<p>Flat Washer 17 PCS(Extra 1)</p>
<p><b>#11</b></p> 	<p><b>#12</b></p> 	<p><b>#13</b></p> 	<p><b>#14</b></p> 	<p><b>#15</b></p>  <p>4mm</p>
<p>Knob 4 PCS</p>	<p>Handle 2 PCS</p>	<p>Magnet 4 PCS</p>	<p>Shelf Holder 17 PCS(Extra 1)</p>	<p>Allen Wrench 1 PC</p>
<p><b>#16</b></p>  <p>Safety Strap Kit 1 PC</p>				

## ADDITIONAL TOOLS(Not Provided)

Note:It is not recommended to use power tools during assembly.

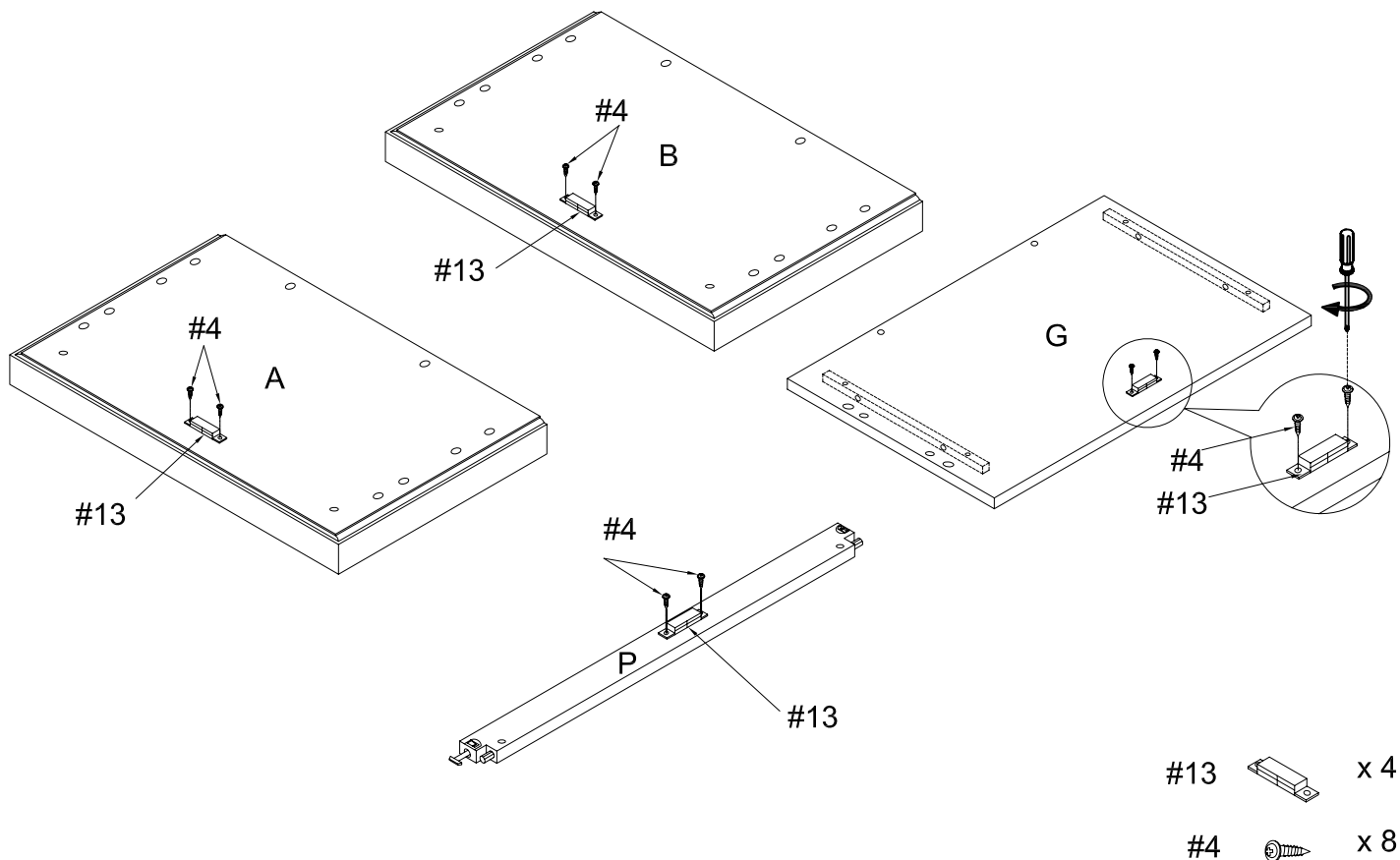


Please do not use tools to assemble this unit unless specifically indicated.



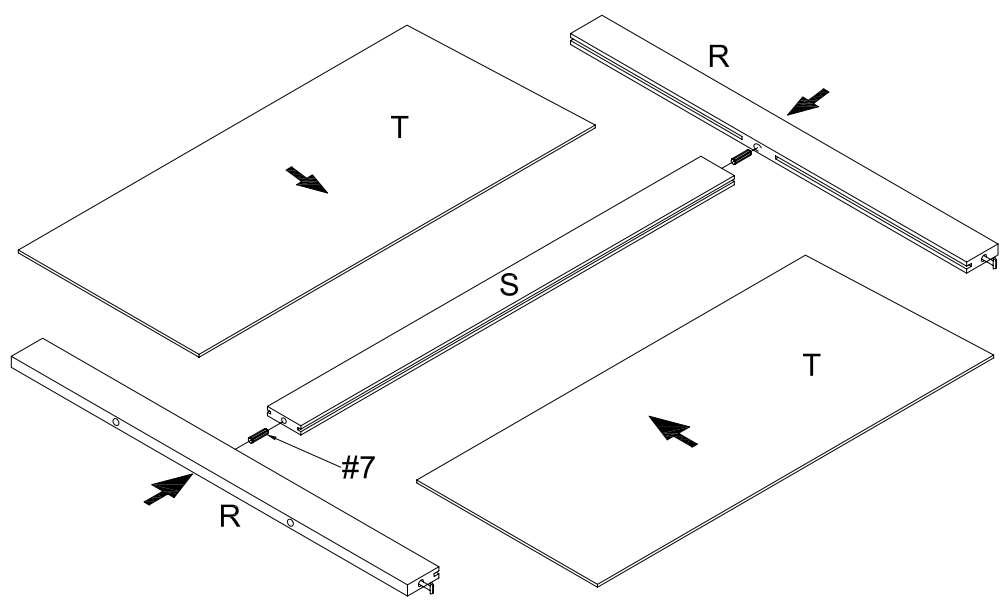
Reference the images above any time the instructions state "lock the hardware".  
Note: Be sure to check all hardware is locked when completed.


Step 1. Attach magnets (part #13) to top panel (part A), bottom panel (part B), middle shelf (part G) and front rail (part P) using screws (part #4) and Phillips head screwdriver.



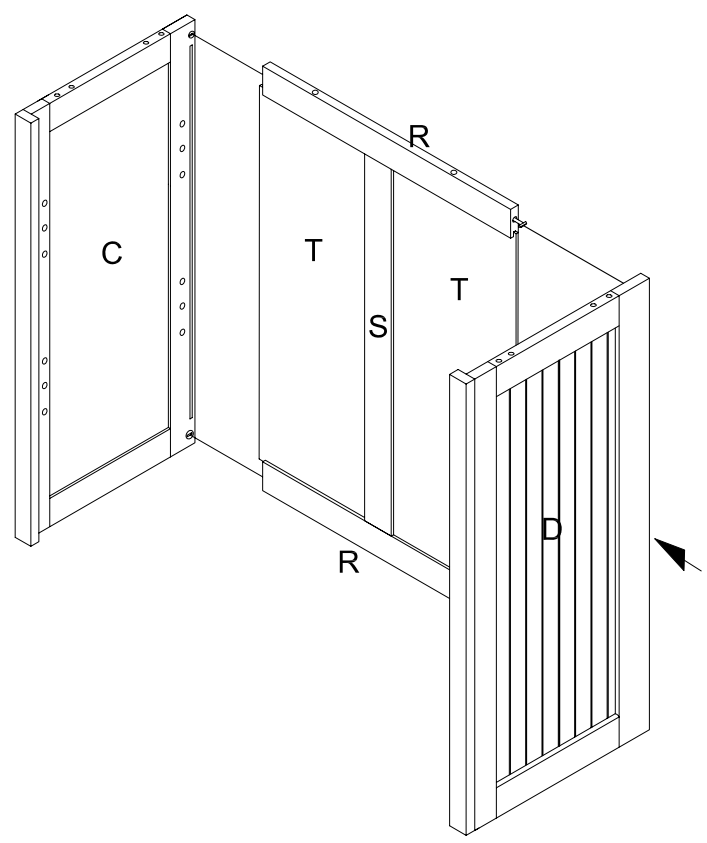


Step 2. Attach back rails (part R) to back partition rail (part S) using wood dowels (part #7), then slide back panels (part T) into grooves of part R & S as shown. Please repeat this step for another set of back panels.

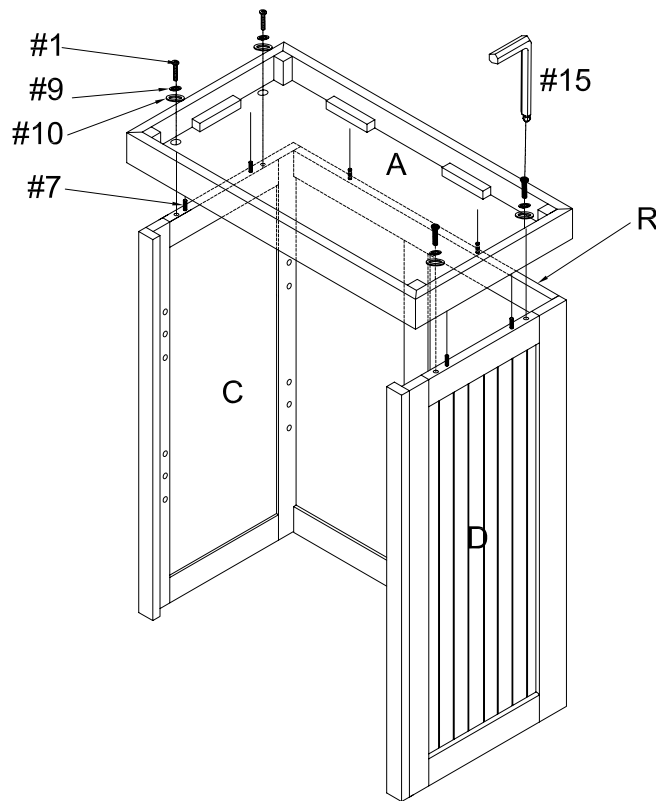


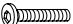



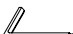
#7  x 4

Step 3. Attach upper left side panel (part C) and upper right side panel (part D) to back rail (part R) as shown and lock the hardware.



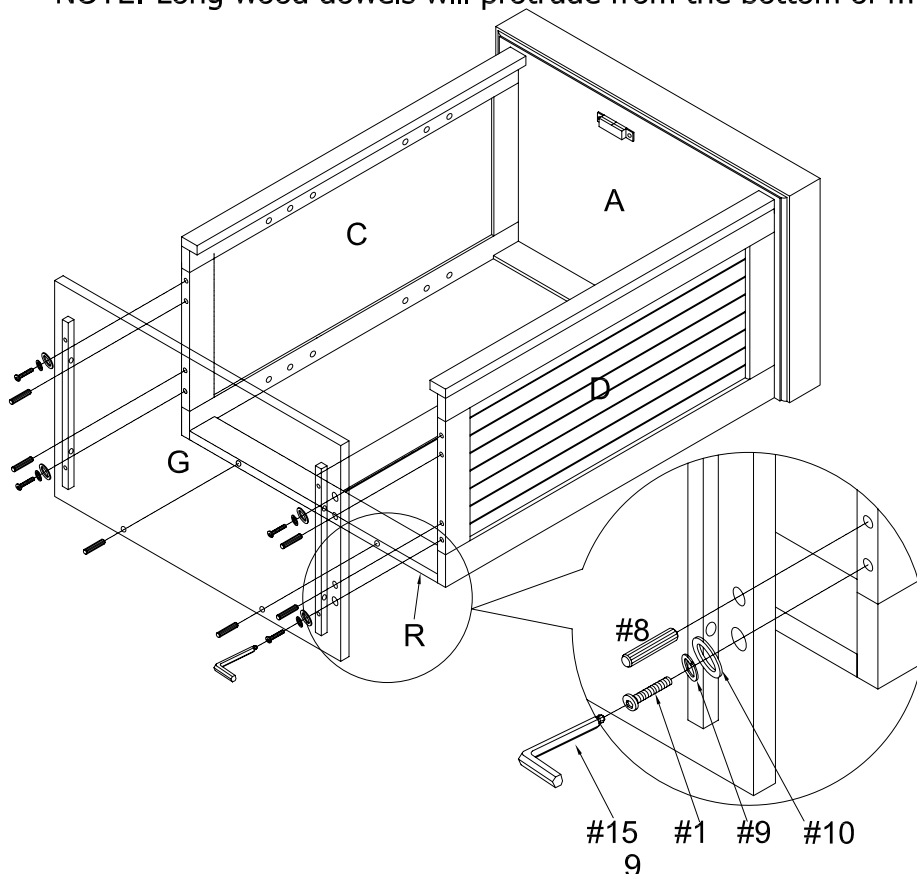
**Step 4.** Attach top panel (part A) to upper left side panel (part C), upper right side panel (part D) and back rail (part R) using wood dowels (part #7), long hex socket head bolts (part #1), spring washers (part #9), flat washers (part #10) and allen wrench (part #15).

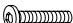






#1		x 4
#9		x 4
#10		x 4
#7		x 6
#15		x 1

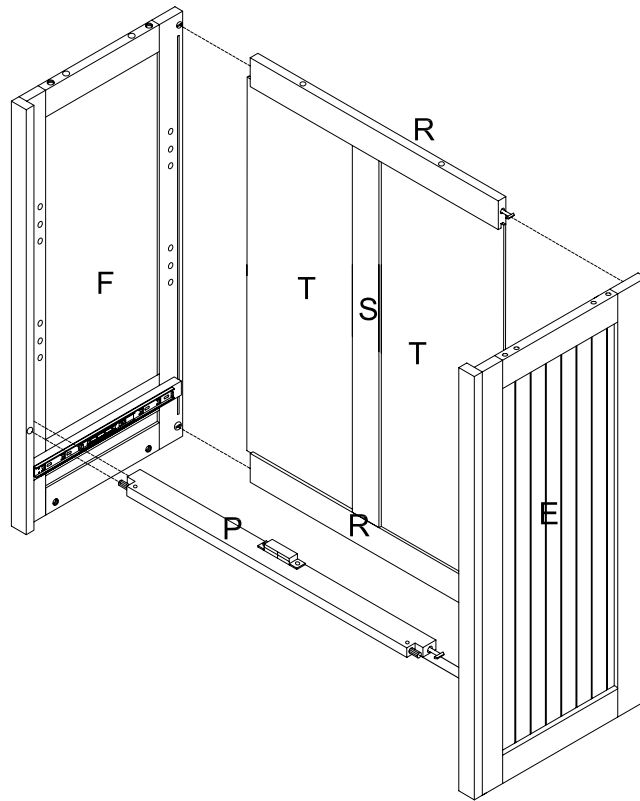
**Step 5.** Carefully lay down assembled unit (part A, C, D, R, S & T) on a soft surface such as carpet as shown. Attach middle shelf (part G) to upper left side panel (part C), upper right side panel (part D) and back rail (part R) using long wood dowels (part #8), long hex socket head bolts (part #1), spring washers (part #9), flat washers (part #10) and allen wrench (part #15).

NOTE: Long wood dowels will protrude from the bottom of middle shelf (part G).

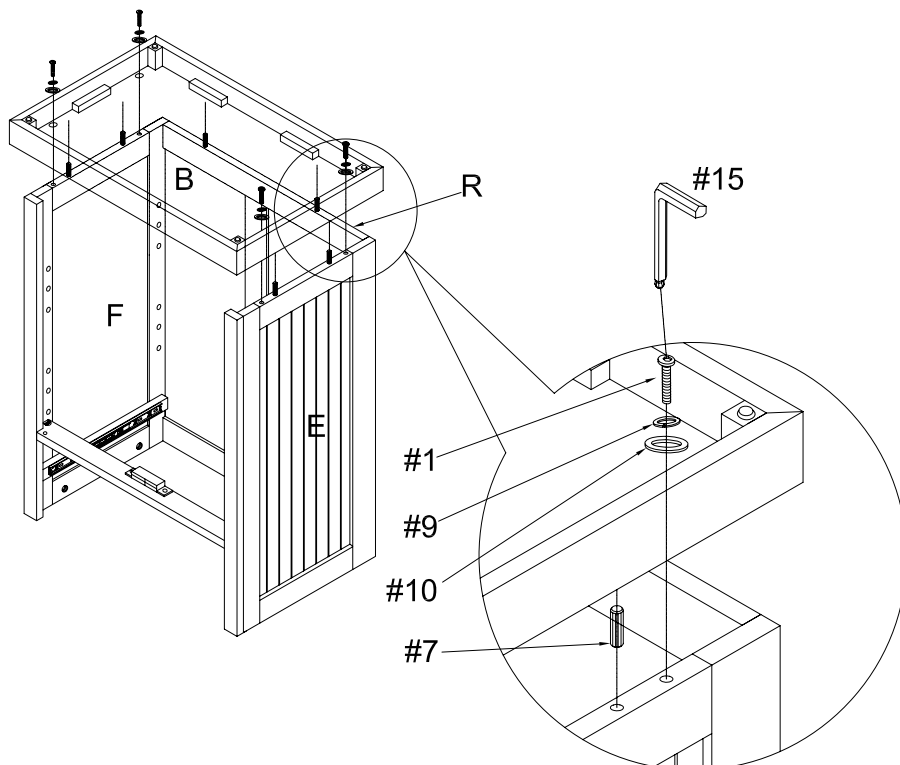


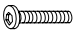




#1		x 4
#9		x 4
#10		x 4
#8		x 6
#15		x 1

**Step 6.** Attach lower left side panel (part E) and lower right side panel (part F) to back rails (part R) and front rail (part P) as shown and lock the hardware.

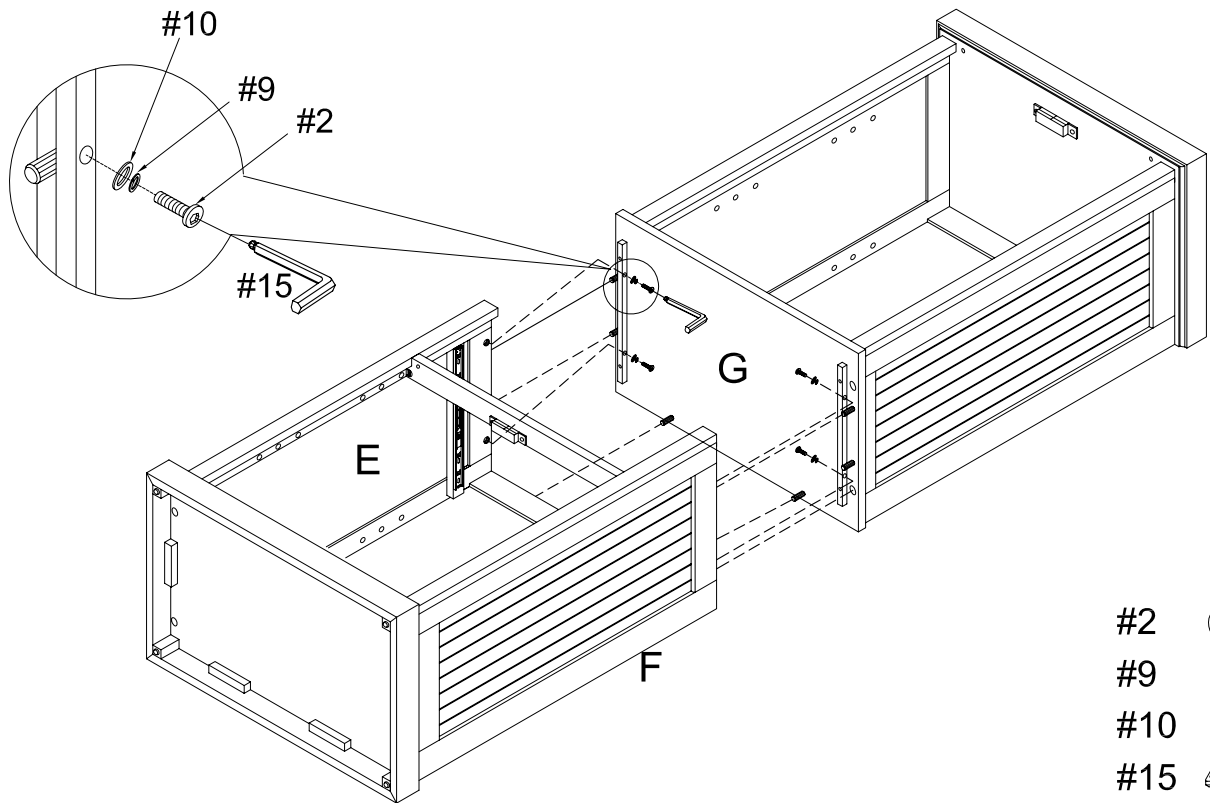


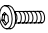



**Step 7.** Attached bottom panel (part B) to lower left side panel (part E), lower right side panel (part F) and back rail (part R) using wood dowels (part #7), long hex socket head bolts (part #1), spring washers (part #9), flat washers (part #10) and allen wrench (part #15).  
NOTE: Please fully tighten bolts at this time.



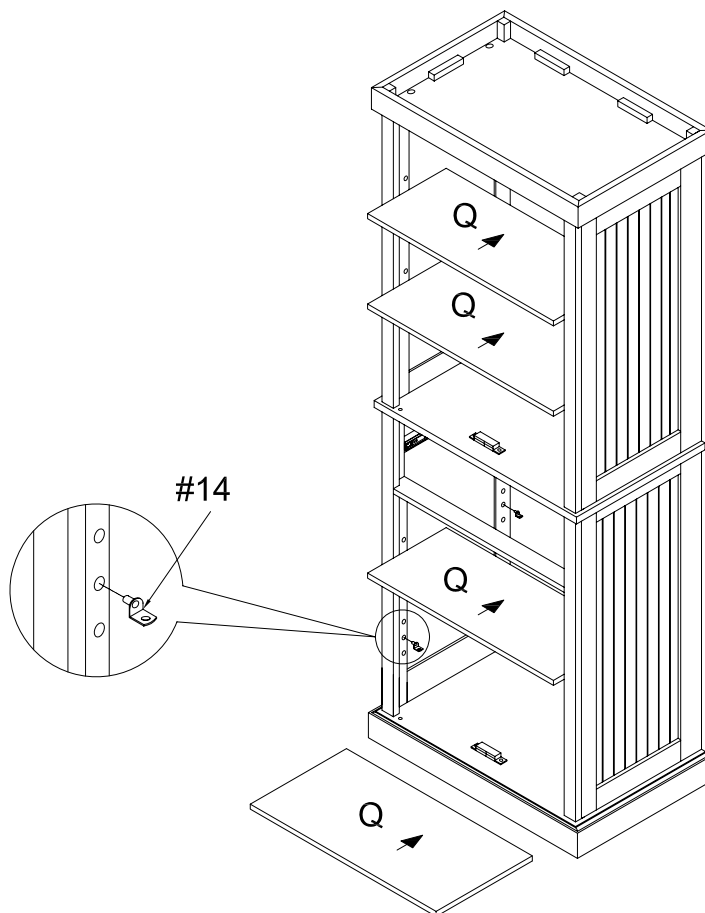
- |     |   |     |
|-----|---|-----|
| #1  |  | x 4 |
| #9  |  | x 4 |
| #10 |  | x 4 |
| #7  |  | x 6 |
| #15 |  | x 1 |

**Step 8.** Carefully lay the assembled top and bottom cabinets as shown, and attach them together using short hex socket head bolts (part #2), spring washers (part #9), flat washers (part #10) and allen wrench (part #15).



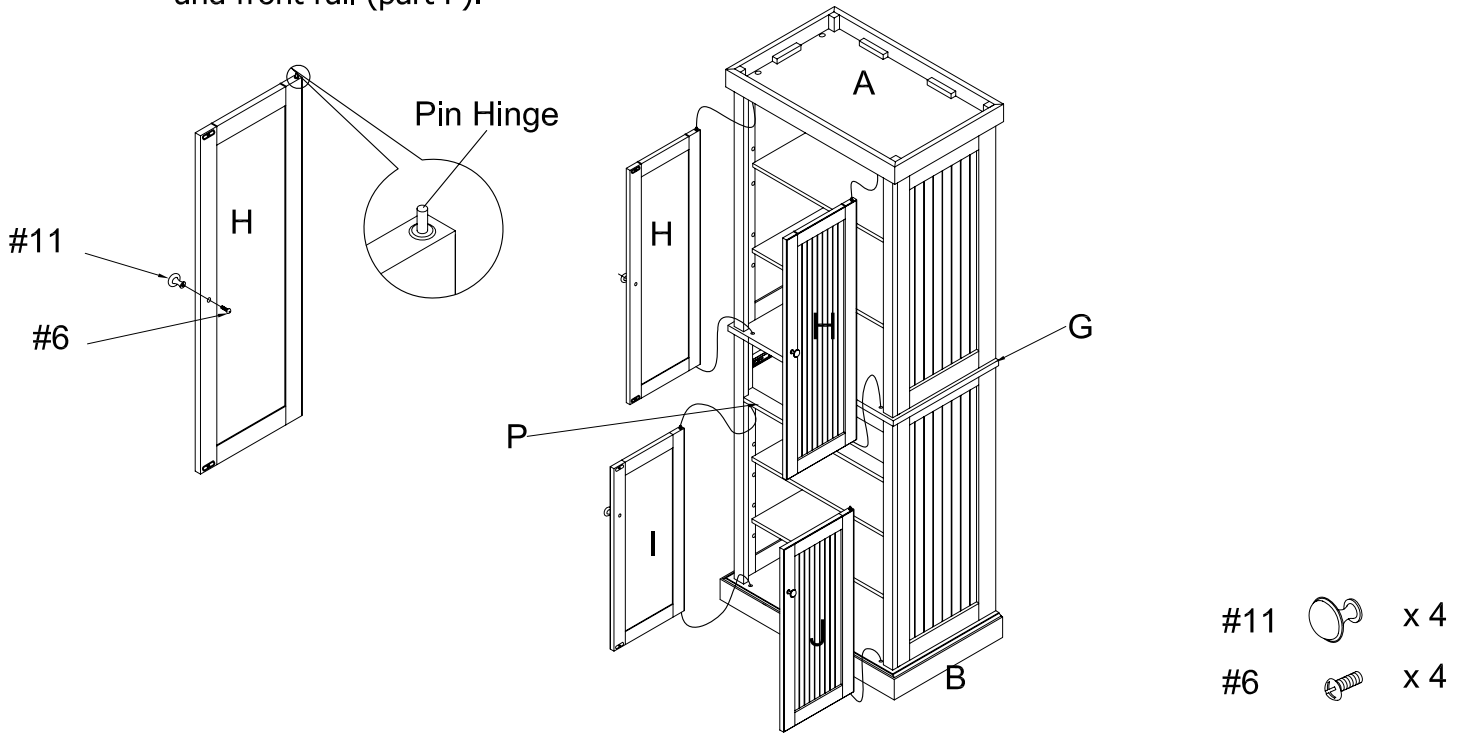
- |     |  |     |
|-----|--|-----|
| #2  |   | x 4 |
| #9  |   | x 4 |
| #10 |   | x 4 |
| #15 |  | x 1 |

**Step 9.** Carefully turn the cabinet upright. Insert shelf holders (part #14) into desired position, and slide adjustable shelves (part Q) in place.

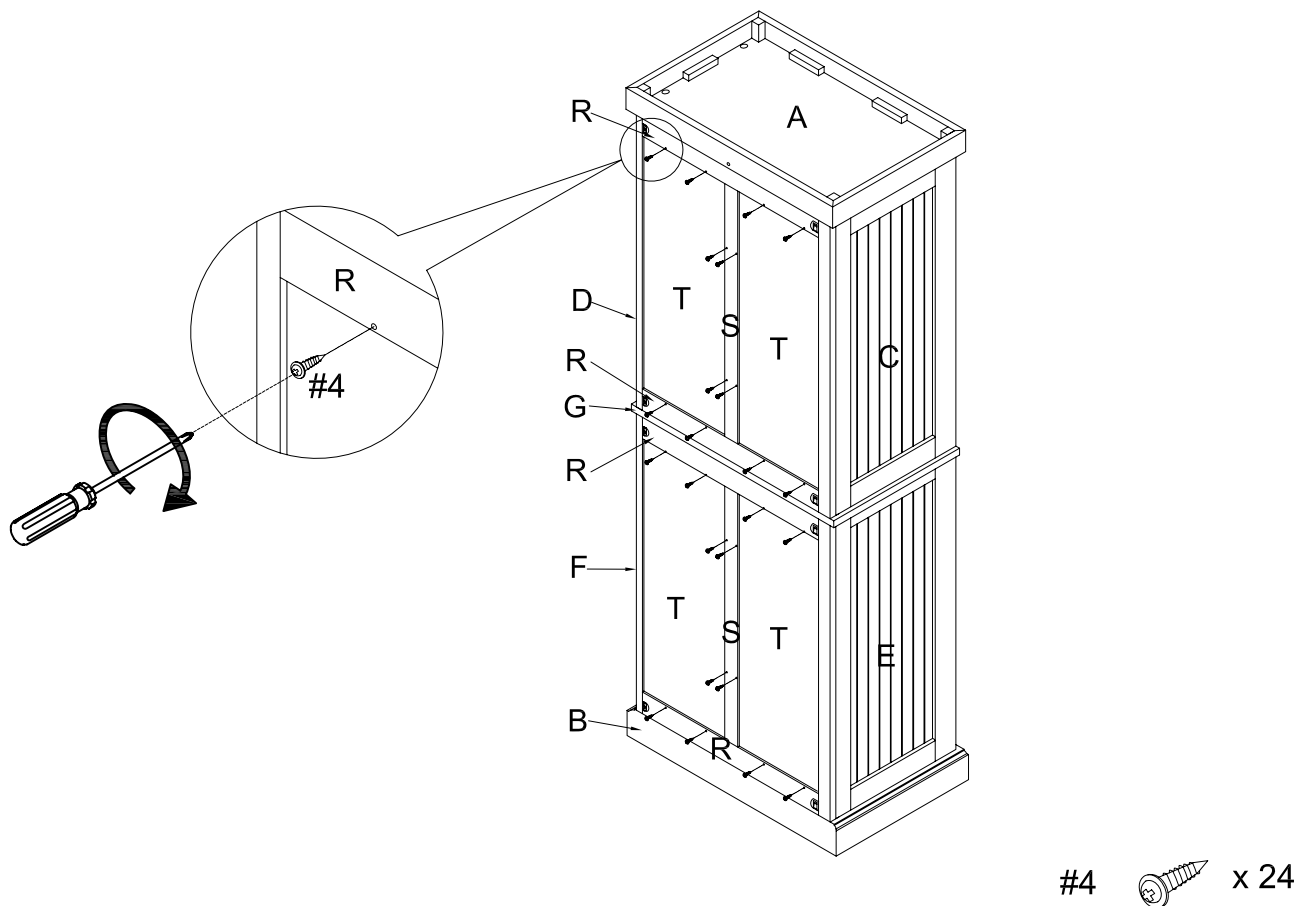


- |     |   |      |
|-----|---|------|
| #14 |  | x 16 |
|-----|---|------|

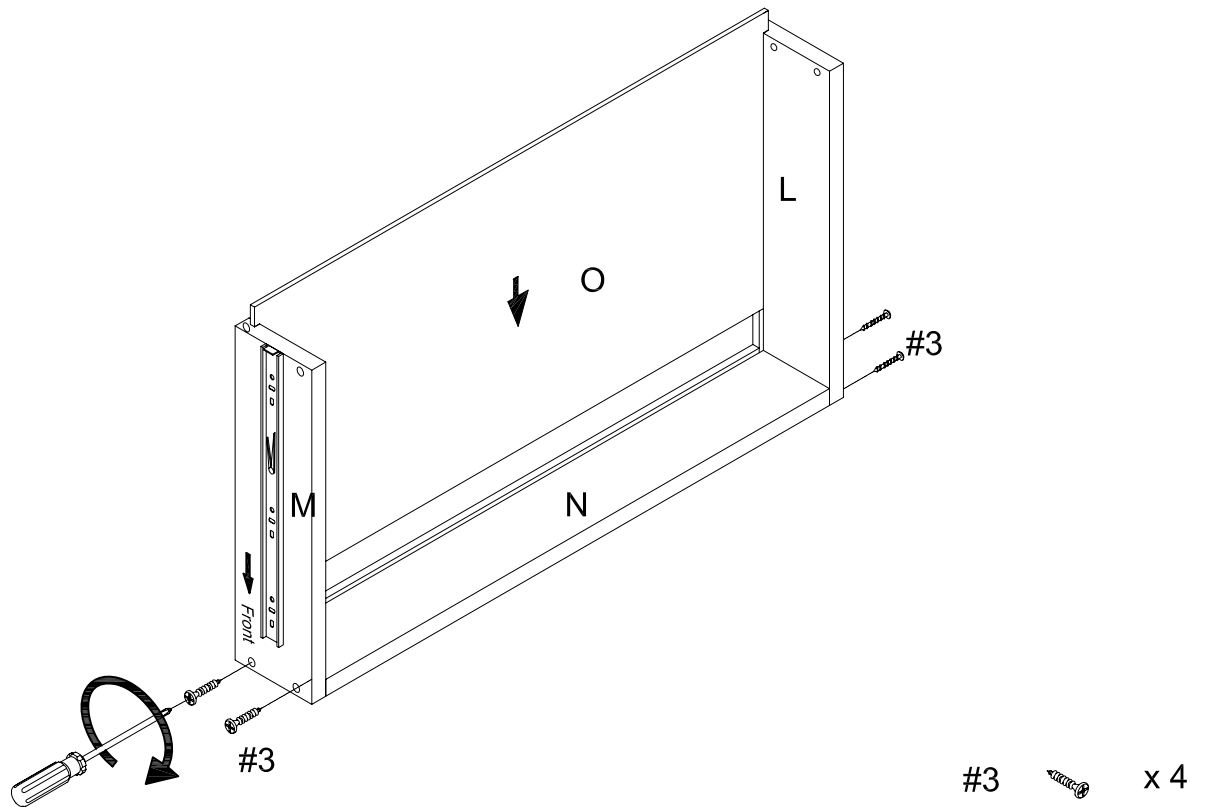
**Step 10.** Attach knobs (part #11) to upper doors (parts H), lower left door (part I) and lower right door (part J) using knob blots (parts #6) & Phillips head screwdriver. Install doors (parts H, I & J) by placing bottom pin hinge (pre-installed in doors) into pre-drilled holes of middle shelf (part G) and bottom panel (part B), and then depressing the top spring-loaded pin hinge to it can be placed in pre-drilled holes of top panel part A) and front rail (part P).



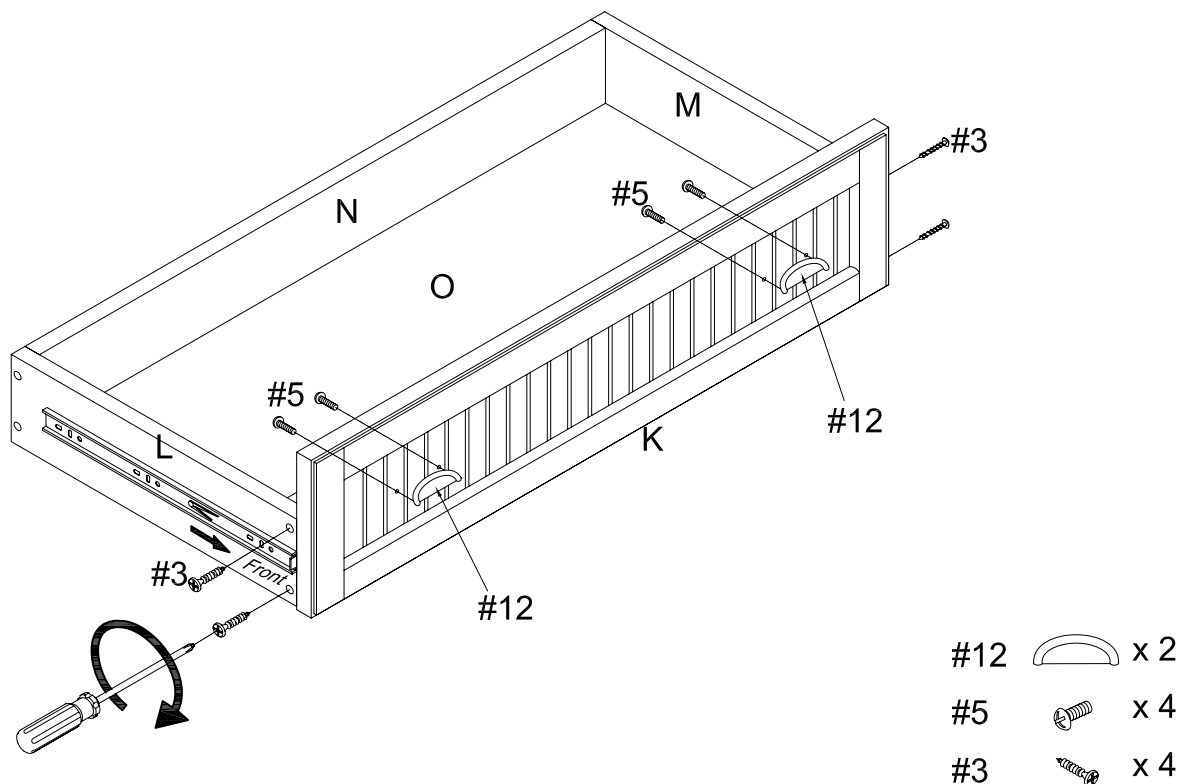
**Step 11.** Fasten back rails (part R) and back partition rails (part S) to back panels (part T) using screws (part #4) and Phillips head screwdriver.



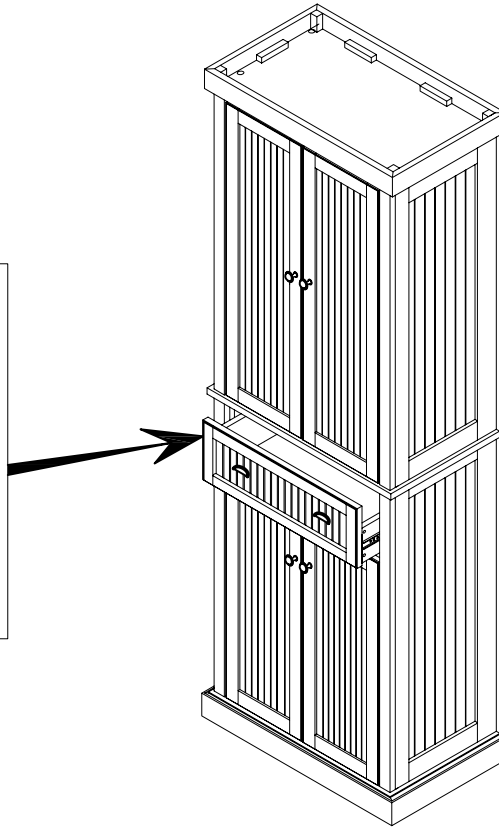
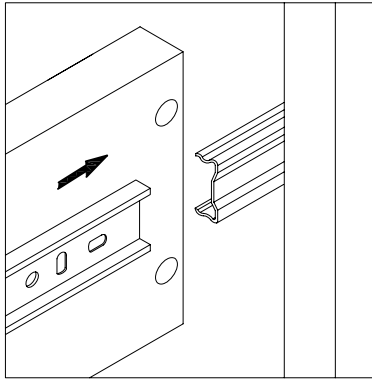
Step 12. Attach drawer left side panel (part L) and drawer right side panel (part M) using long flat head screws (part #3) and Phillips head screwdriver.  
Slide drawer bottom panel into grooves of assembled unit (part L, M & N).






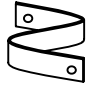


Step 13. Attach drawer front panel (part K) to drawer left side panel (part L) and drawer right side panel (part M) using long flat head screws (part #3) and Phillips head screwdriver as shown. Attach handles (part #12) to drawer front (part K) using handle bolts (part #5) and Phillips head screwdriver.



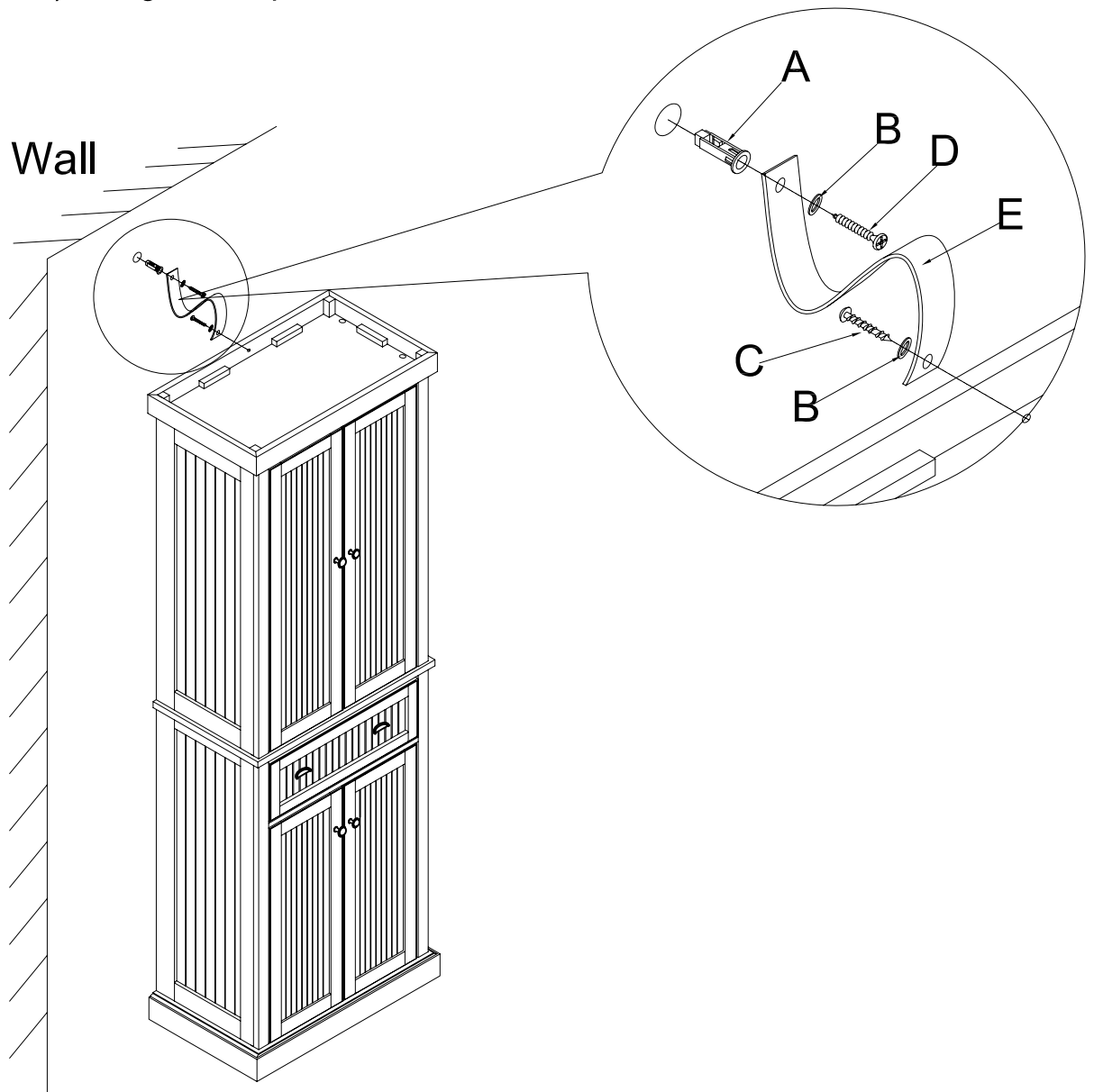
Step 14. Slide drawer into place.



#16	A	B	C	D	E
					
Safety Strap Kit	Wall Anchor	Washer	Short Screw	Long Screw	Safety Wall Strap
1 PC	1 PC	2 PCS	1 PC	1 PC	1 PC

## SAFETY STRAP WALL ASSEMBLY INSTRUCTION

- 1.) Insert short screw (part C) through washer (part B) and safety wall strap (part E), and attach to top panel of (part A) using Phillips head screwdriver.
- 2.) Drill a 11/32"(6mm) hole where you want to secure the unit . The drilled hole will be at the same height as the hole in top panel (part A) where the safety strap is attached. Tap wall anchor (part A) into the hole.
- 3.) Insert long screw (part D) through washer (part B) and wall safety strap into wall anchor (part A) using a Phillips head screwdriver.





# Manufacturers Warranty

**RETURNS POLICY**

**CANCELLATION POLICY**

**FREIGHT DAMAGE OR DEFECTS**