



Buy it for looks. Buy it for life.®

# Specifications

## DESCRIPTION

- Metal construction with various finishes identified by suffix
- Designed to be installed through 2, 1-1/4" dia. holes 8" on center
- 3/4" MNPT connections
- Single function handheld shower
- 59" double interlock spiral hose (metal)

## OPERATION

- Cross style handles
- Maximum handle rotation angle is 90° to full on for either handle
- Rotate hot side counterclockwise to open and clockwise to close
- Rotate cold side clockwise to open and counterclockwise to close
- Lever diverter to switch between faucet and handshower

## FLOW

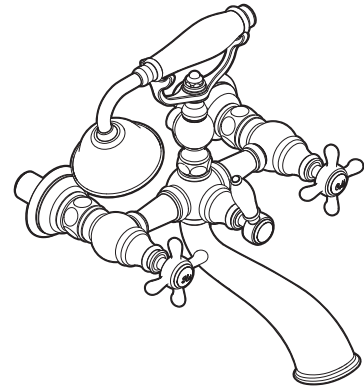
- Faucet designed to deliver 10.0 gpm (37.9 L/min) at 45psi
- Handshower designed to deliver 2.0gpm (7.6 L/min) at 80psi

## STANDARDS

- Third party certified to ASME A112.18.1/CSA B125.1, and all applicable requirements referenced therein

## WARRANTY

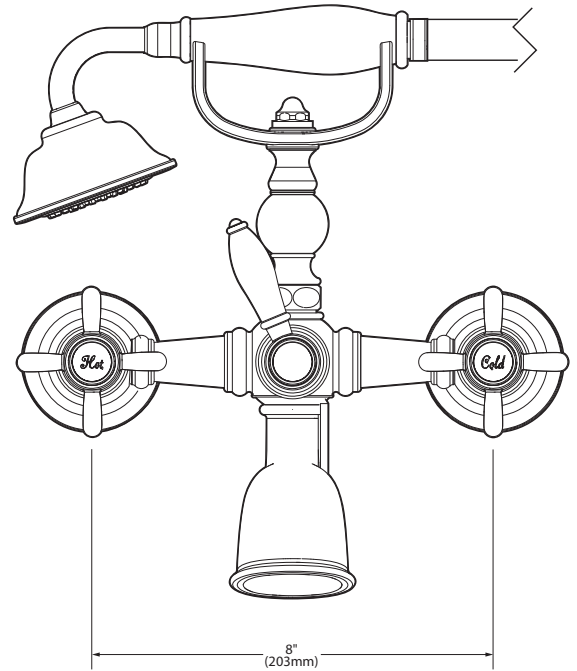
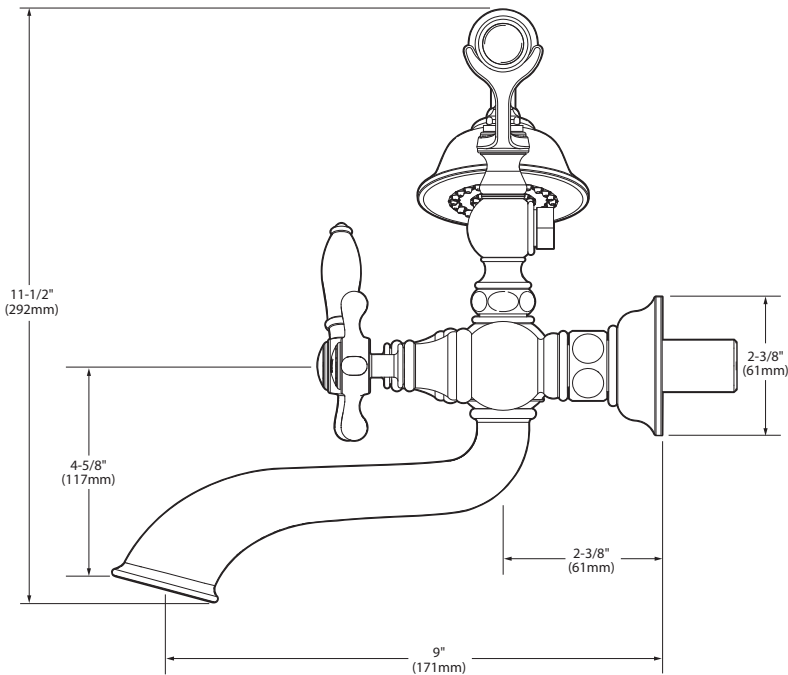
- Lifetime limited warranty against leaks, drips and finish defects to the original consumer purchaser
- 5 year warranty if used in commercial installations



## WEYMOUTH™ Two-Handle Wall Mount Tub Filler Faucet

Model: S22105 series

SEE SECOND PAGE FOR  
FULL FLOOR MOUNT TUB FILLER



## CRITICAL DIMENSIONS

(DO NOT SCALE)

FOR MORE INFORMATION CALL: 1-800-BUY-MOEN

www.moen.com



Buy it for looks. Buy it for life.®

# Specifications

## DESCRIPTION

- Metal construction with various finishes identified by suffix
- Designed to be installed through 2, 2-1/2" dia. holes 8" on center
- 3/4" MNPT connections
- Single function handheld shower
- 59" double interlock spiral hose (metal)

## OPERATION

- Cross style handles
- Maximum handle rotation angle is 90° to full on for either handle
- Rotate hot side counterclockwise to open and clockwise to close
- Rotate cold side clockwise to open and counterclockwise to close
- Lever diverter to switch between faucet and handshower

## FLOW

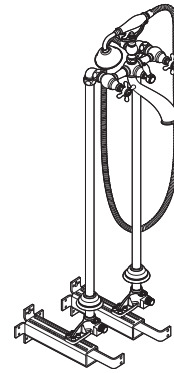
- Faucet designed to deliver 10.0 gpm (37.9 L/min) at 45psi
- Handshower designed to deliver 2.0gpm (7.6 L/min) at 80psi

## STANDARDS

- Third party certified to ASME A112.18.1/CSA B125.1, and all applicable requirements referenced therein

## WARRANTY

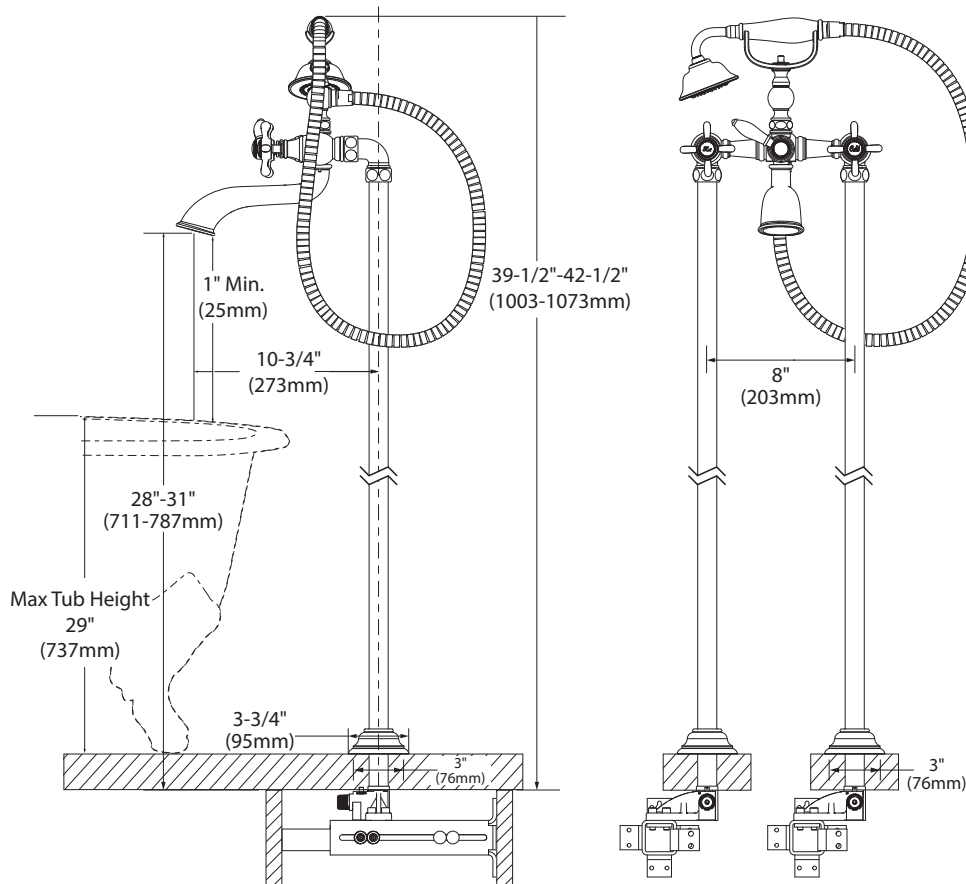
- Lifetime limited warranty against leaks, drips and finish defects to the original consumer purchaser
- 5 year warranty if used in commercial installations



**WEYMOUTH™**  
**Two-Handle Floor Mount**  
**Tube Filler**

**Model:** S22105 series

**FLOOR MOUNT RISERS:** TS25105 SERIES  
**FLOOR MOUNT ROUGH-IN KIT:** TS50200  
(USE WITH TS25105 SERIES FLOOR MOUNT RISERS)



## **CRITICAL DIMENSIONS**

(DO NOT SCALE)

**FOR MORE INFORMATION CALL: 1-800-BUY-MOEN**

**www.moen.com**