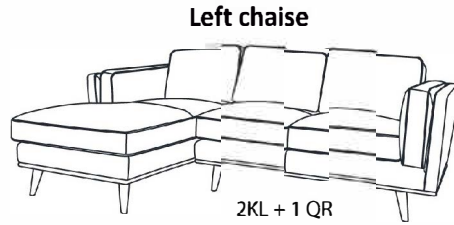
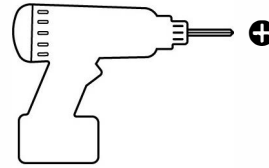


ASSEMBLY INSTRUCTION

Read the instruction carefully. Refer hardware and furniture parts list for guidance. Refer steps provided as assembling guide.




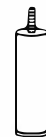
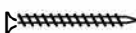
TOOL REQUIRED



Or



HARDWARE LIST

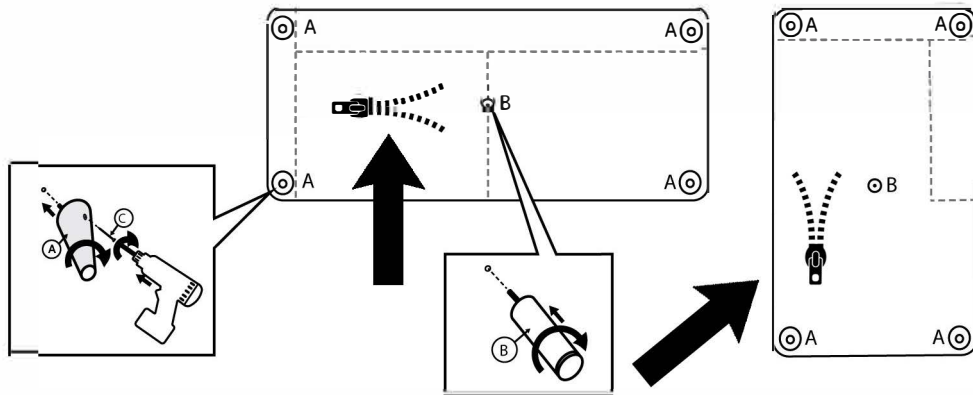
	DESCRIPTION	QTY	
		2 KR/2 KL 2 SEATER	1 QL/1 QR CHAISE
A	Wooden Leg - W130B 	4 Pcs	4 Pcs
B	Wooden Leg - WC026 	1 Pcs	1 Pcs
C	Screw 8x1.5" 	4 Pcs	4 Pcs

ASSEMBLY INSTRUCTION (Bottom View)

RIGHT HAND FACING

2 seater

chaise

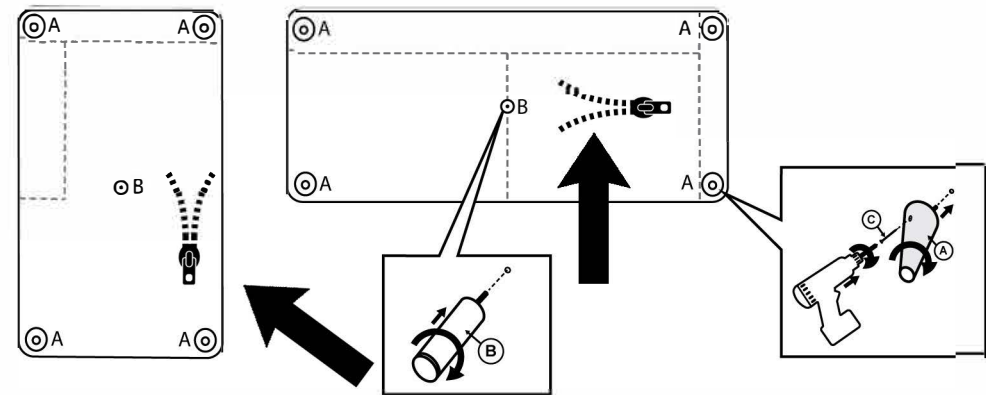


FIND LEGS IN ZIPPER

LEFT HAND FACING

chaise

2 seater



FIND LEGS IN ZIPPER