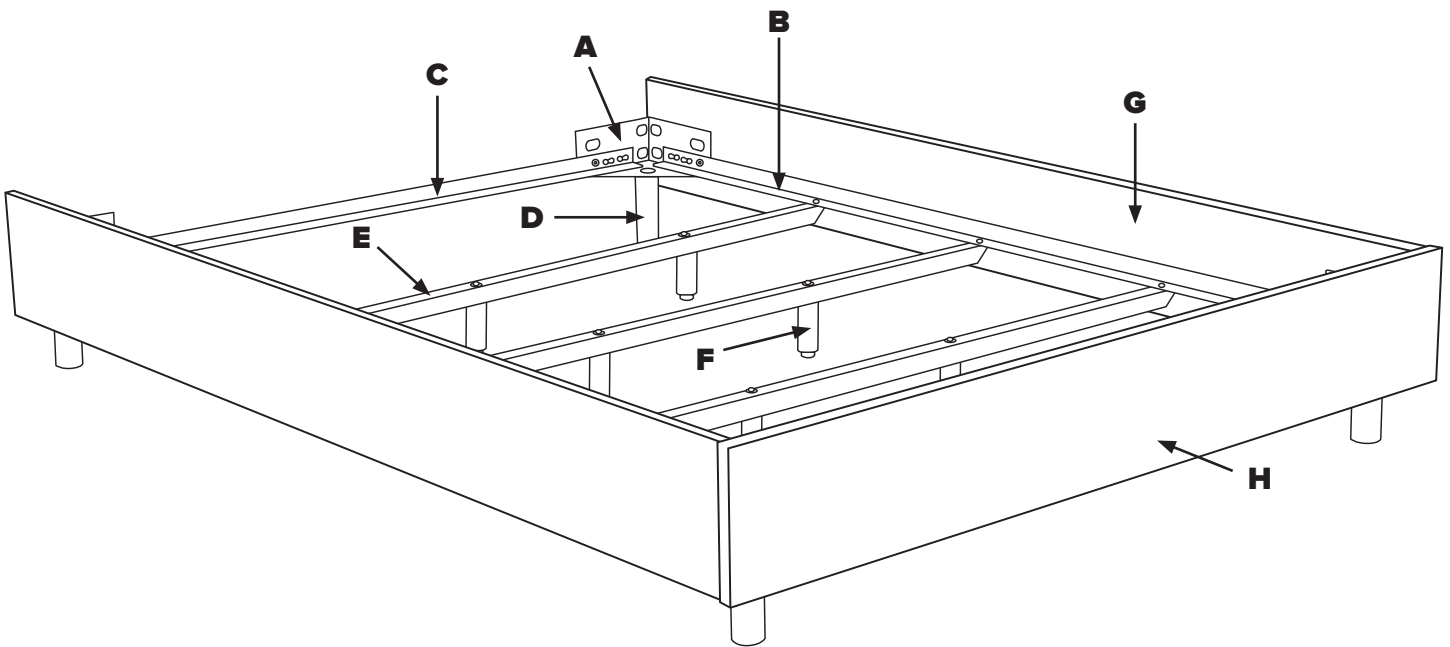


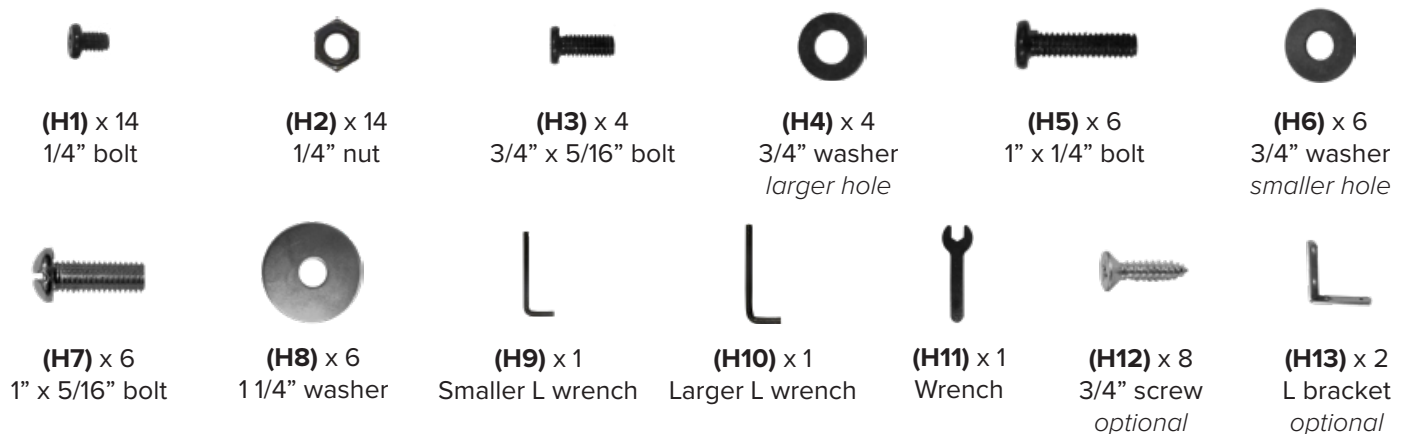
CALIFORNIA KING BED FRAME ASSEMBLY

COMPONENTS

ITEM	DESCRIPTION	QTY	ITEM	DESCRIPTION	QTY
A	Metal corners	4	E	Center support rail	3
B	Metal side rail	2	F	Center support leg	6
C	Metal end rail	2	G	Upholstered side rail	2
D	Corner leg	4	H	Upholstered foot rail	1



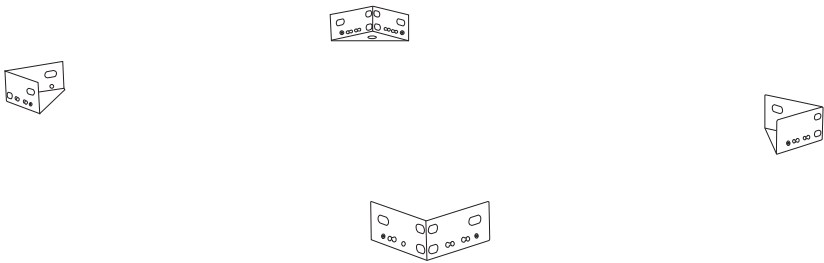
HARDWARE



Please note: you will need a flat head and phillips head screwdriver to assemble your bed frame.

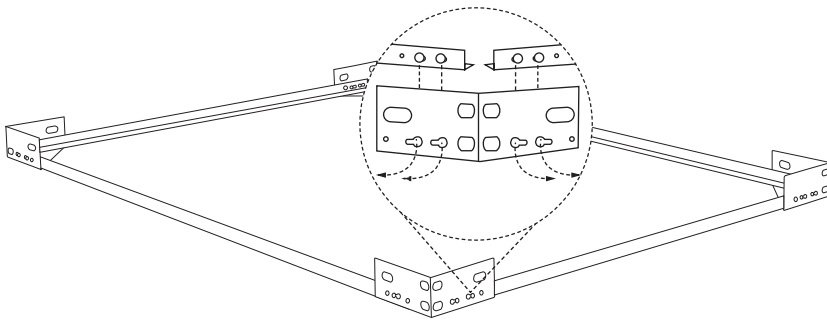
CALIFORNIA KING BED FRAME ASSEMBLY

STEP 1 - BUILDING THE METAL BED FRAME



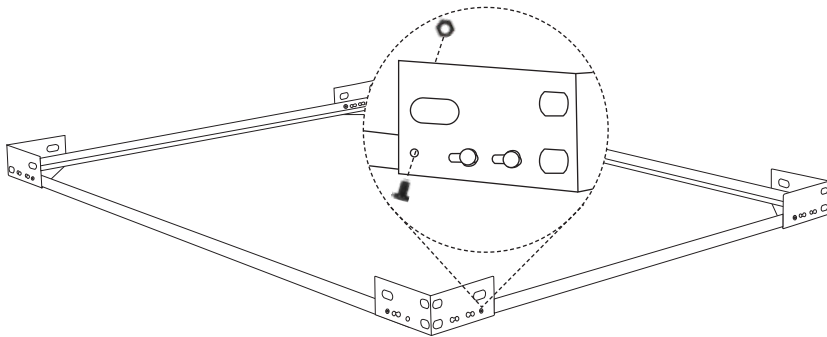
1.1

Place (A) metal corners in a rectangular shape roughly the size of your mattress.



1.2

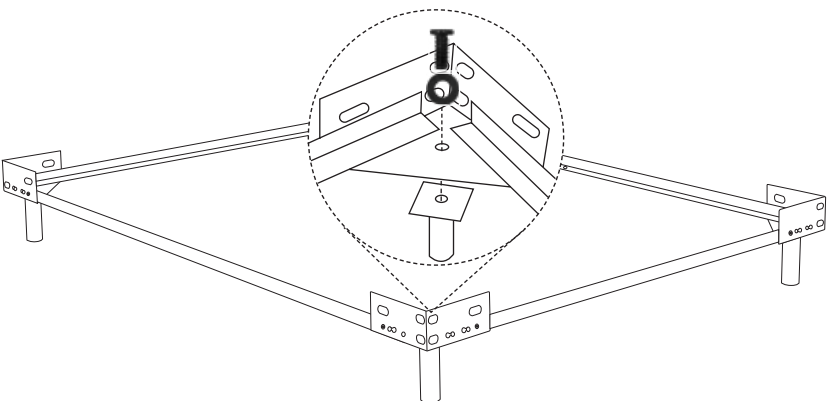
Lay (B) and (C) metal rails into (A) metal corners to create the shape of your bed frame. Snap into place.



1.3

Secure (B, C) metal rails to (A) metal corners using (H1) bolts and (H2) nuts. Tighten using (H9) L wrench and (H11) wrench.

Please note: (H2) nuts should be on the inside of the frame.

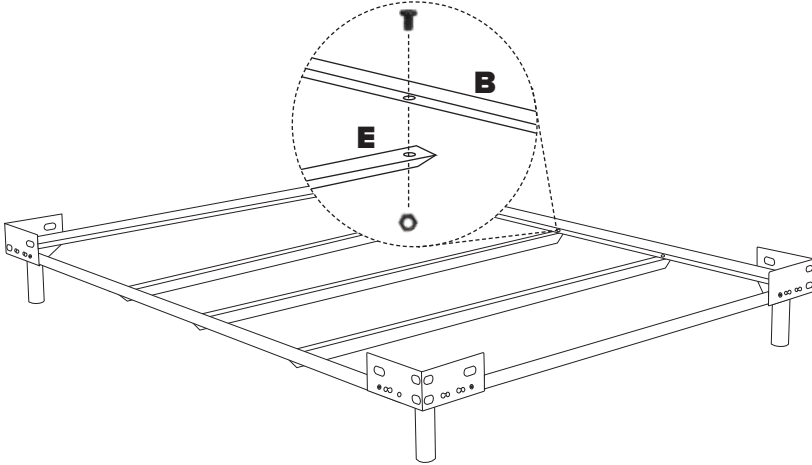


1.4

Carefully attach (D) corner legs underneath (A) metal corners using (H3) bolts and (H4) washers. Tighten using (H10) L wrench.

CALIFORNIA KING BED FRAME ASSEMBLY

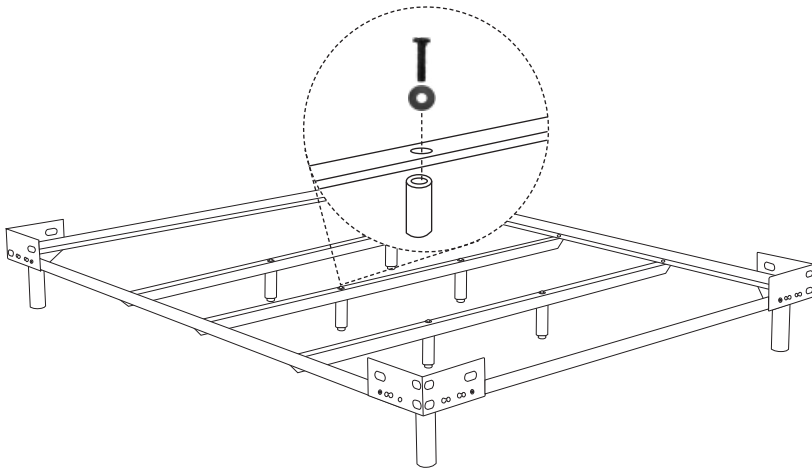
STEP 2 - CENTER SUPPORT SYSTEM



2.1

Align holes of (E) center support rail with holes on (B) metal side rails. Attach using (H1) bolts and (H2) nut. Tighten using (H9, H11) wrenches.

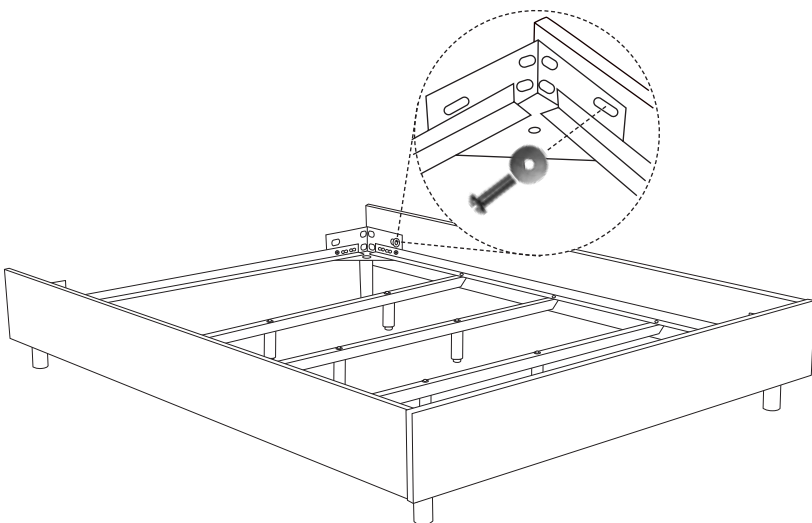
Please note: (E) center support rail attaches underneath (B) metal side rails.



2.2

Attach (F) center support legs to (E) center support rail using (H5) bolts and (H6) washer. Tighten using (H9) L wrench.

STEP 3 - ATTACHING THE UPHOLSTERED RAILS



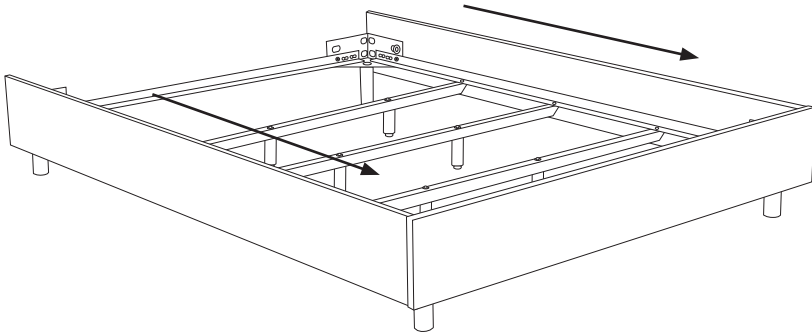
3.1

Loosely attach (G, H) upholstered rails to bed frame using (H7) bolts and (H8) washers.

Please note: if (G) upholstered side rails have an additional hole, make sure the hole faces upwards and away from the (H) upholstered foot rail.

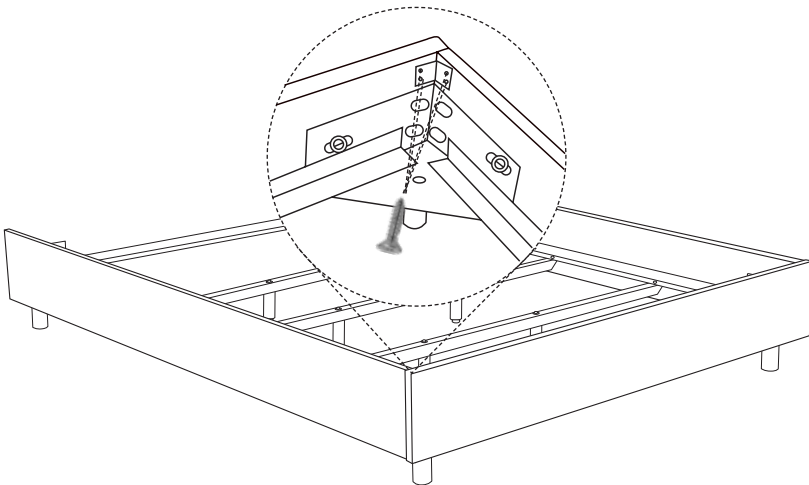
CALIFORNIA KING BED FRAME ASSEMBLY

STEP 3 - ATTACHING THE UPHOLSTERED RAILS CONTINUED



3.2

Push (G) upholstered side rails toward (H) upholstered foot rail to eliminate any gaps. Tighten (G) upholstered side rails first, then (H) upholstered foot rail using flat head screwdriver.



3.3 (OPTIONAL)

To reinforce stability of (G, H) upholstered rails, use a phillips screwdriver to attach (H13) L brackets using (H12) screws.

Please note: this requires screwing (H12) directly into the upholstered side rail.

ATTACHING YOUR HEADBOARD

For instructions on how to attach your headboard to your bed frame, please consult the assembly instructions found in the box your headboard was shipped in.

LIMITED WARRANTY

We guarantee our upholstered furniture against defects in construction for a period of one (1) year. When a structural defect is brought to our attention, we will repair or replace it at our option at no charge to the customer (includes parts and labor, not transportation costs). Fabric wearability for upholstered furniture is not covered by the warranty. Vacuum for regular cleaning.

PLEASE DISPOSE OF PLASTIC BAG(S) AND CARTON(S) RESPONSIBLY.