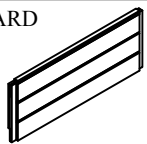
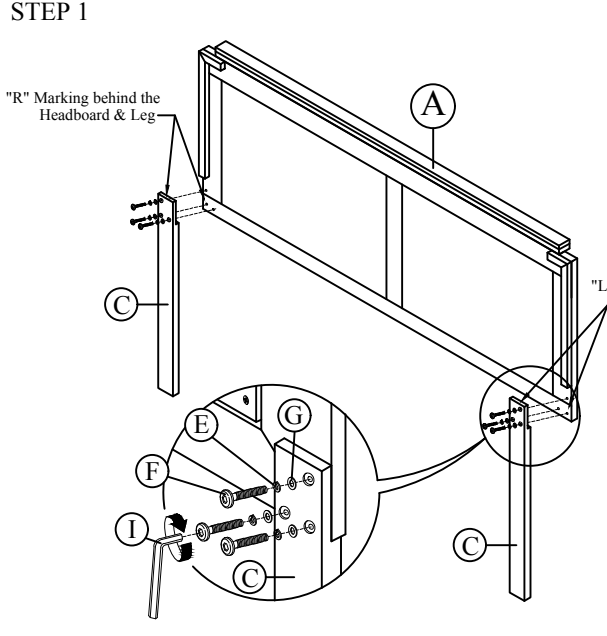
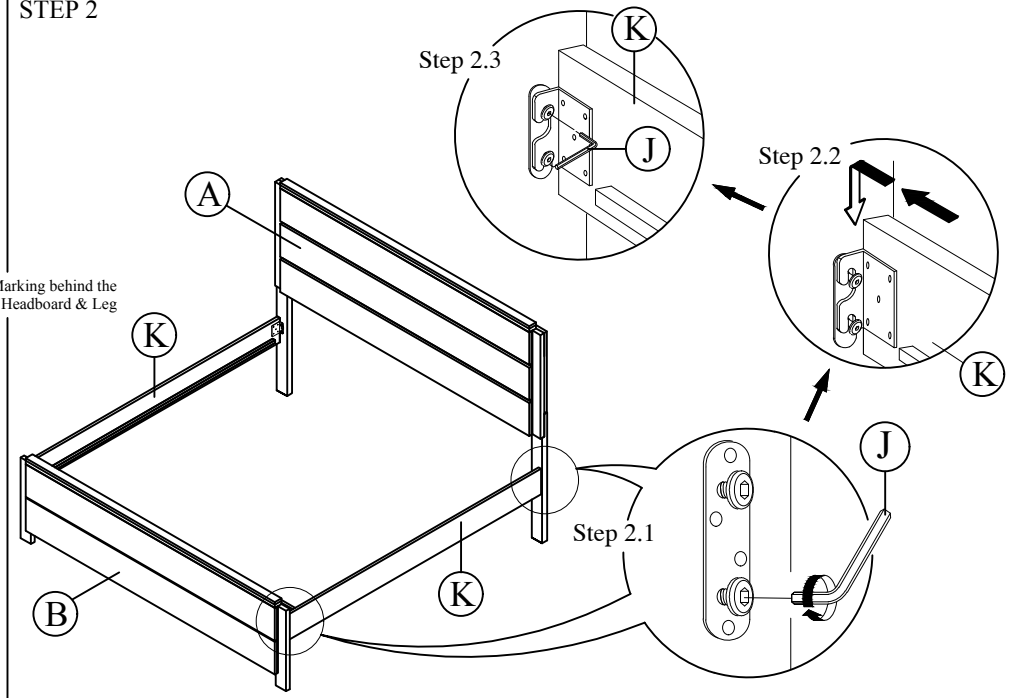
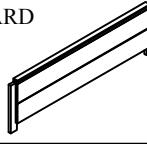
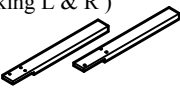
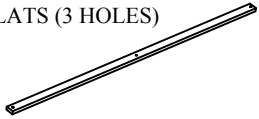
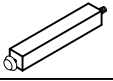
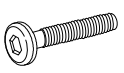
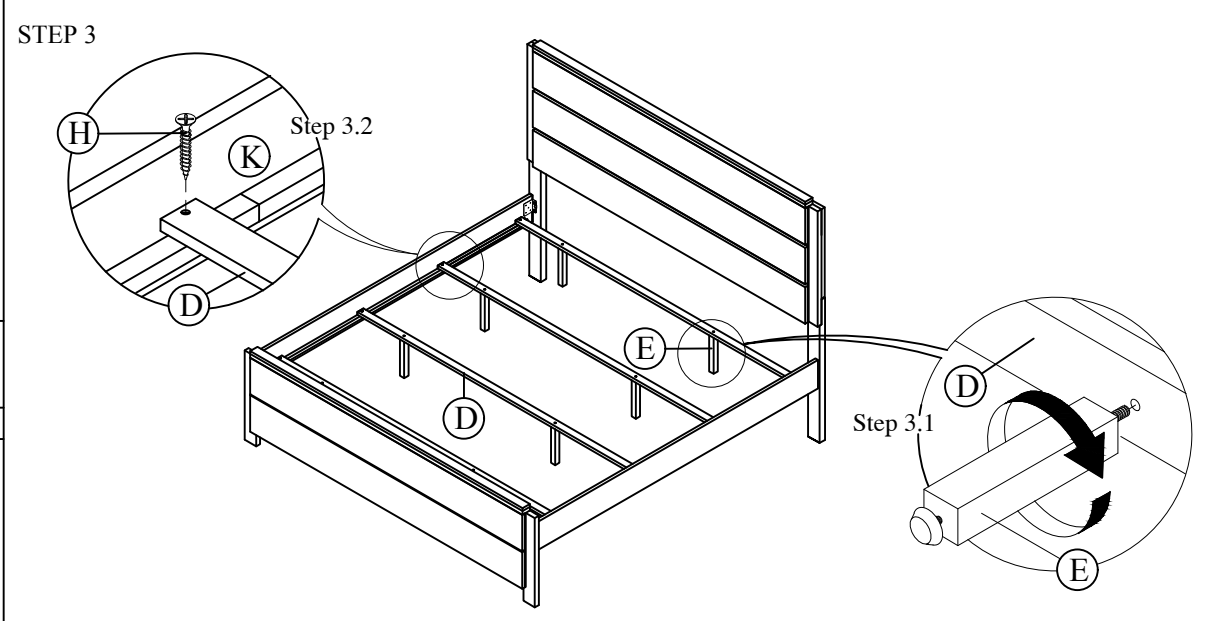




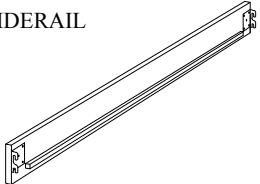



ASSEMBLY INSTRUCTION

NO	PART & HARDWARE LIST IN HEADBOARD	QTY.	STEP 1		STEP 2				
A	HEADBOARD 	1PC							
B	FOOTBOARD 	1PC							
C	LEG (Marking L & R) 	2PCS							
D	SLATS (3 HOLES) 	4PCS							
E	BED SLAT SUPPORT 	8PCS							
F	JCBC M6 X 30mm 	6PCS							
E	SPRING WASHER $\text{\O} \frac{1}{4}$ " 	6PCS							
G	FLAT WASHER $\text{\O} \frac{1}{4}$ " x 13mm 	6PCS					J	L KEY M5 	1PC
H	CSK M4 x 32mm 	8PCS					K	SIDERAIL 	2PCS
I	L KEY M4 	1PC							