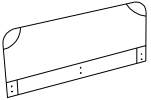
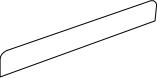
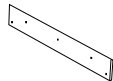
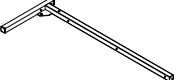
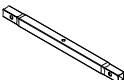
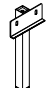
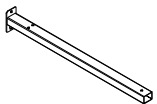
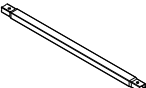

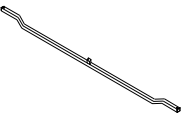
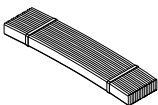







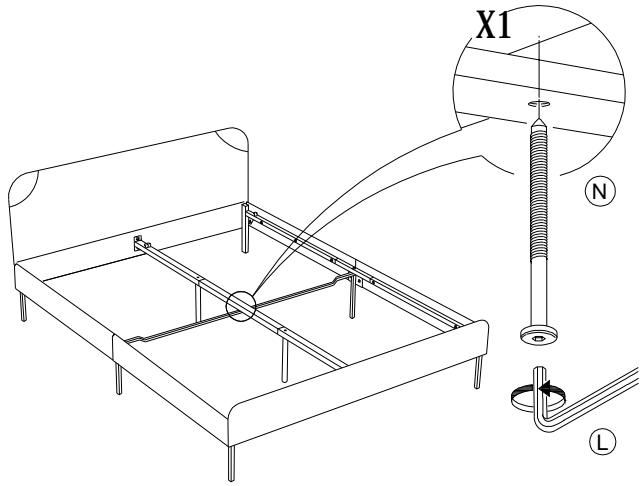
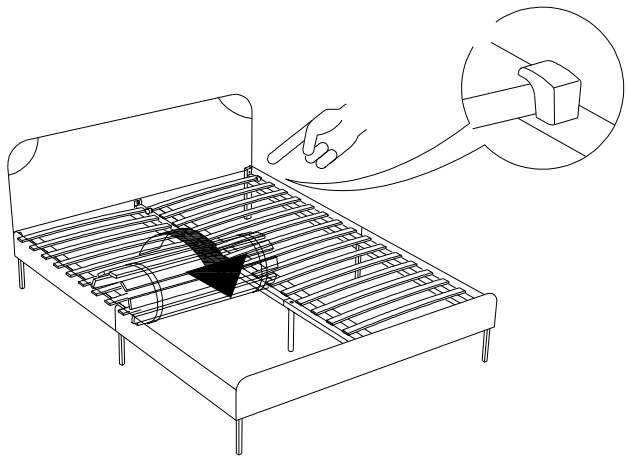


(A)		1X	(B)		1X	(C)		4X
(D)		4X	(E)		2X	(F)		2X
(G)		2X	(H)		1X	(I)		2X
(J)		1X	(K)		2X	(L)		1X
(M)		8X	(N)	 M6*70	3X	(O)	 M6*40	30X
(P)		4X	(Q)	 M6*20	12X	(R)		4X

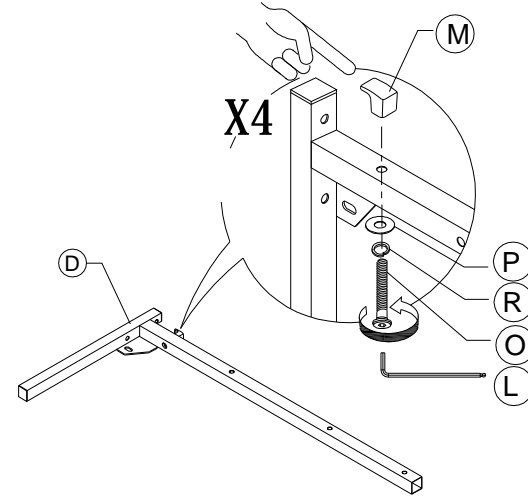
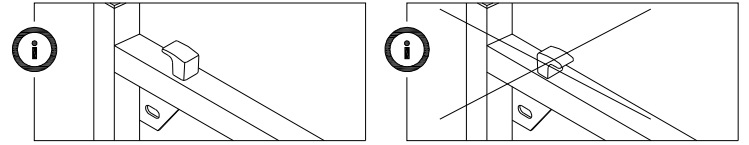
15



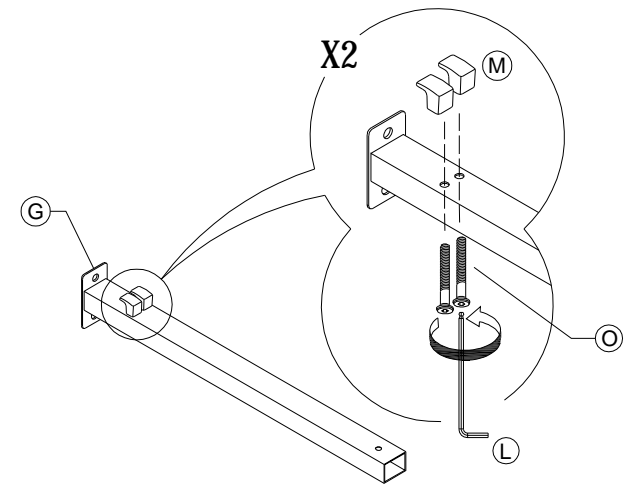
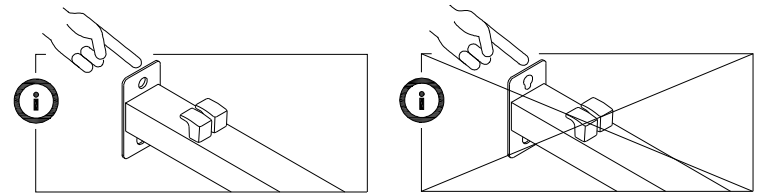
16



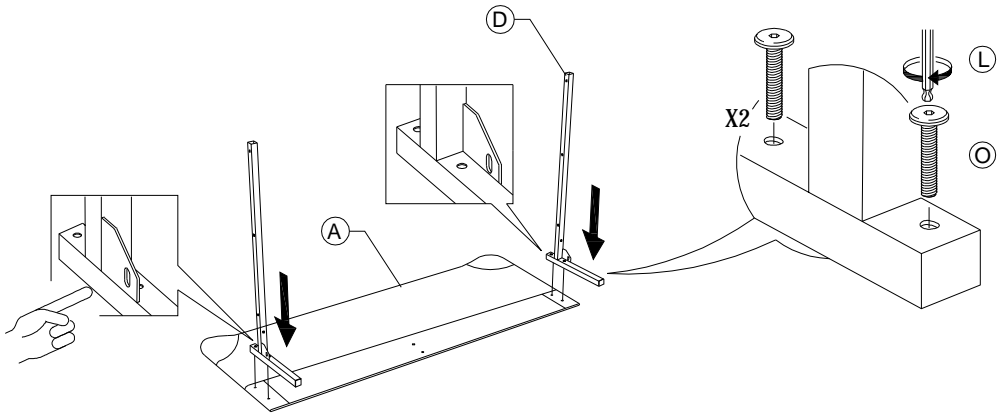
1



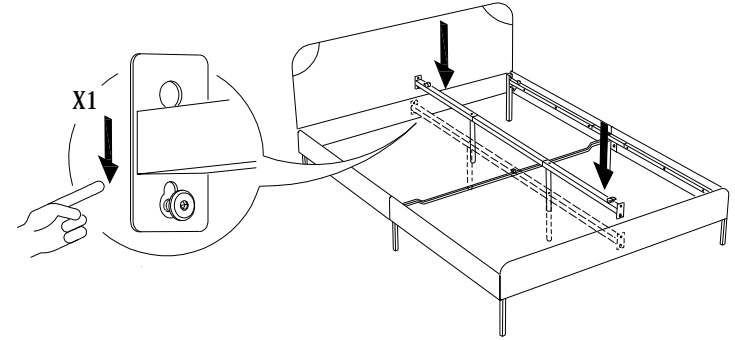
2



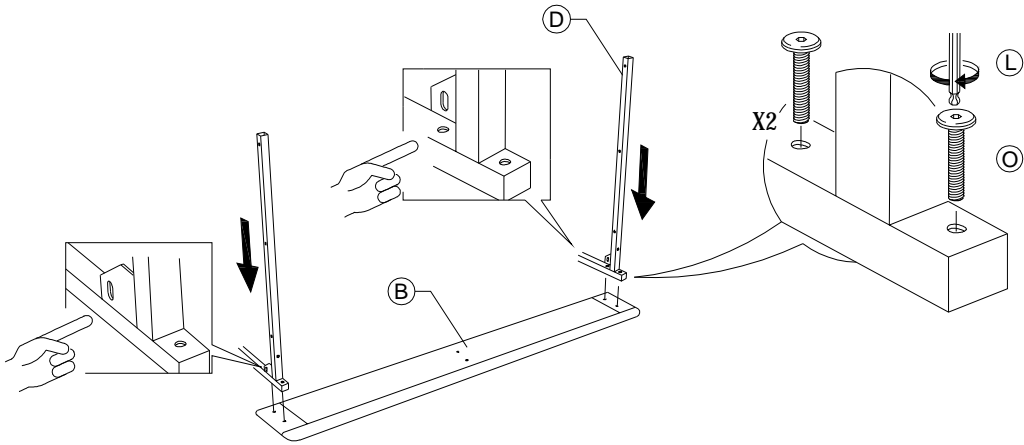
3



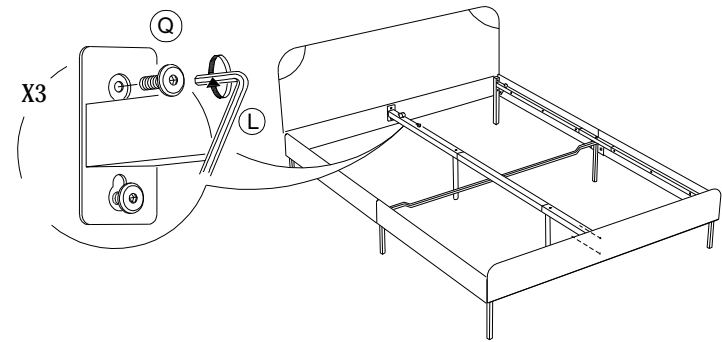
13



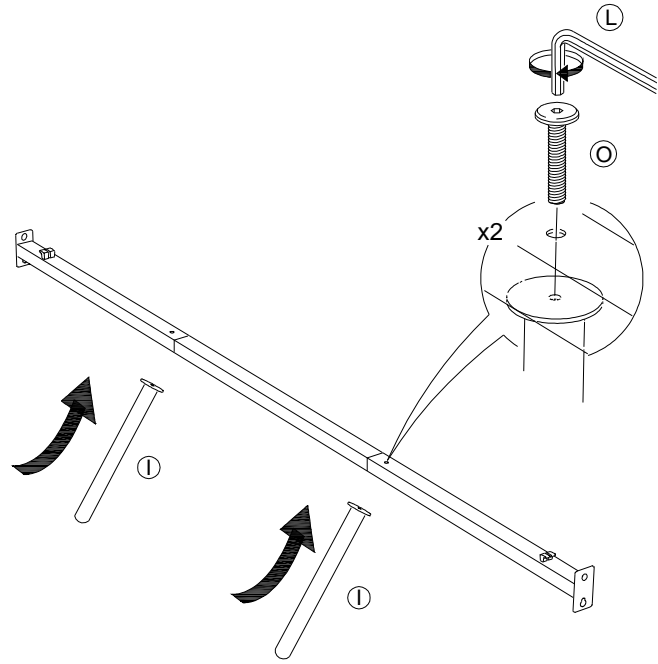
4



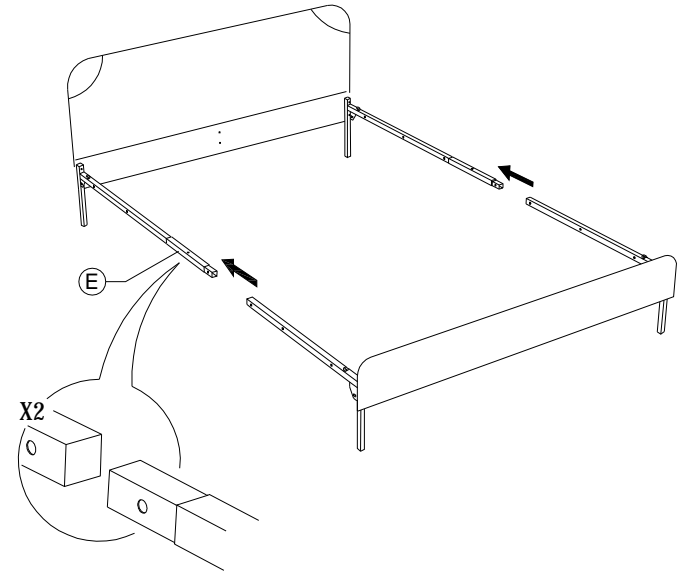
14



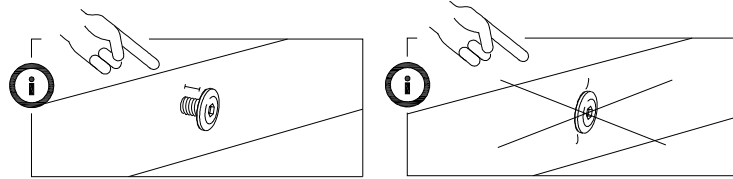
11



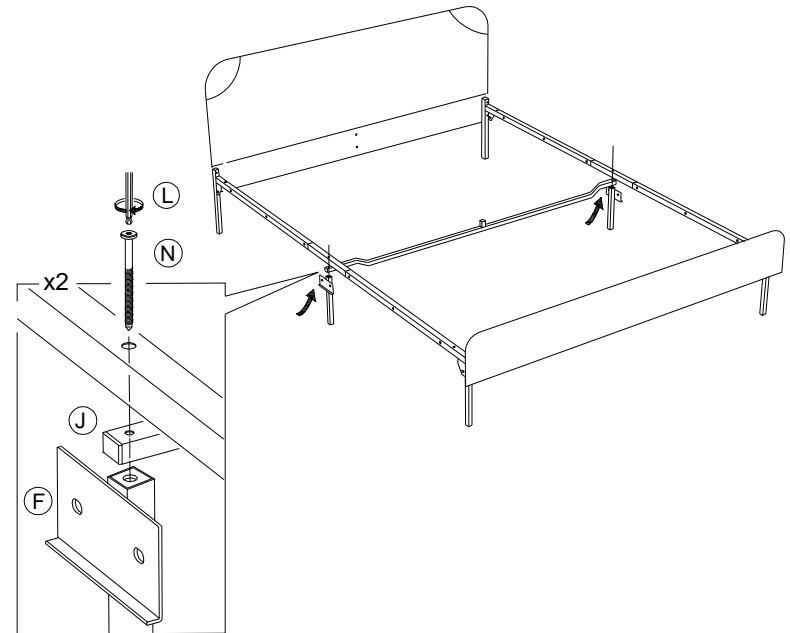
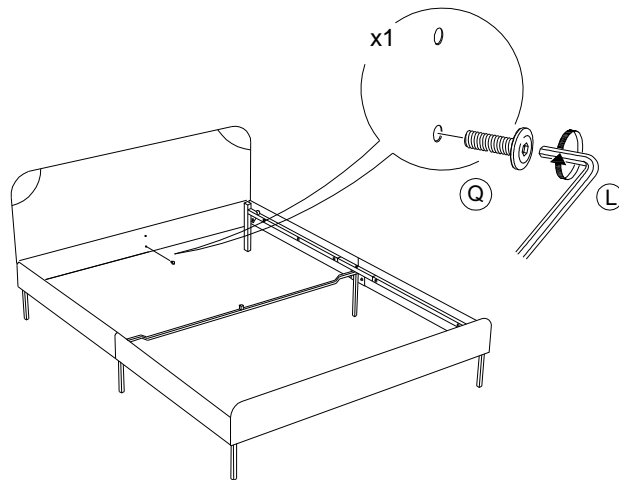
5



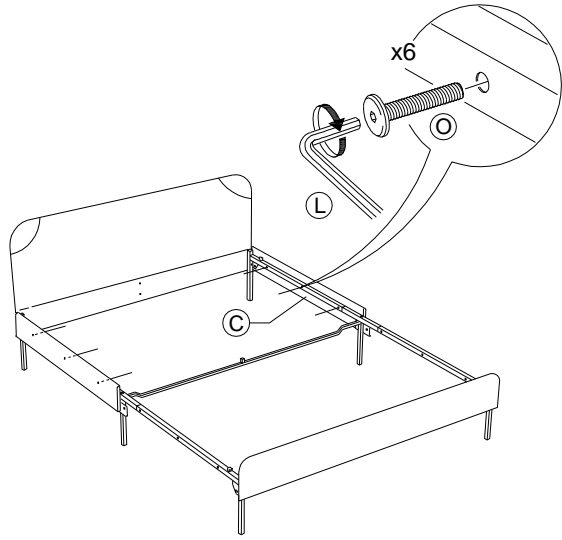
12



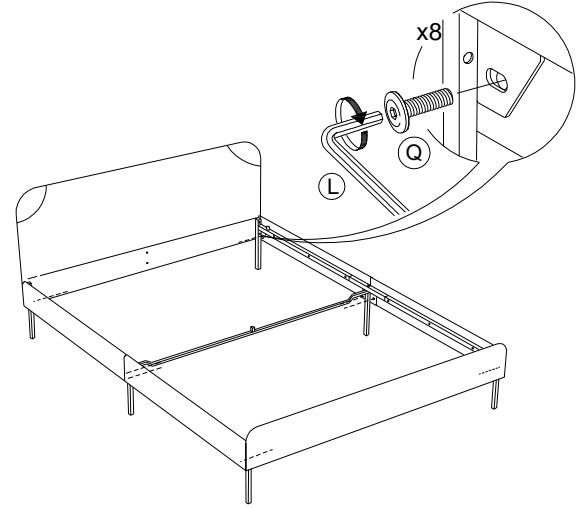
6



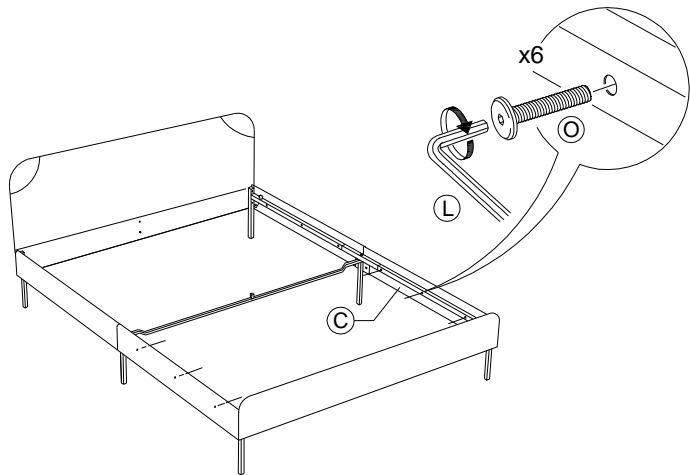
7



9



8



10

