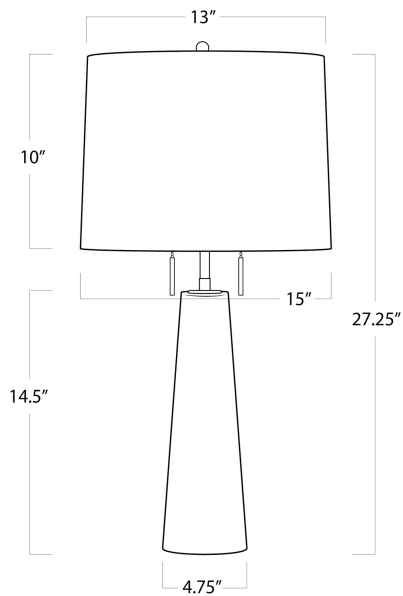


REGINA ANDREW

DETROIT

SPECIFICATION SHEET

Austen Alabaster Table Lamp 13-1516



HEIGHT	27.25
WIDTH	15
DEPTH	15
SHADE DIMS	13 x 15 x 10
SHADE COLOR	Natural Linen
BULB QTY	2
BULB TYPE	A Type Medium Base (E26)
SOCKET	E26 S-Cluster Pull Chain
WATTAGE	100 Watt Max
WIRING TYPE	Standard
MATERIAL	Alabaster
FINISH	N/A
NOTES	N/A
FREIGHT ONLY	No