

WARRANTY

We strive to offer high-quality product and we also try our best to satisfy each customer that orders from us with product or service as needed.

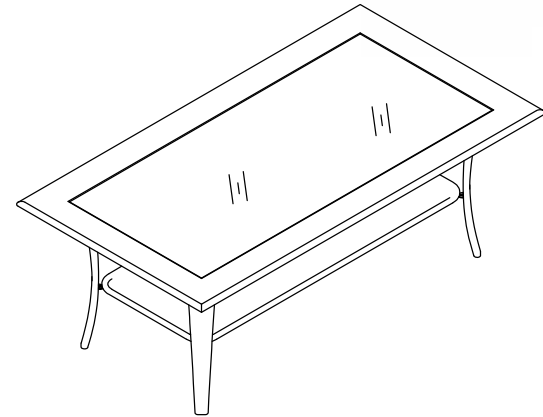
Each customer a record of their order such as the order number, or item receipt for any items that are out of the warranty period you may also still receive replacement parts by purchasing them with our company if they are available.

Are you having difficulty
with assembly? Missing parts?

For return, please check the return policy with
the retailer or market place you bought from.

Appreciate your purchasing from us.

Pop up your life by our furniture !



NOTE:

This brochure contains IMPORTANT safety info. Please read and keep for future reference.

MAINTAINANCE AND WARNING

- Keep furniture away from heat and fire.
- Keep furniture away from sharp objects.
- Do not clean furniture with harsh cleansers or polish. Do not use detergents, Solvents, abrasives, spray packs or leather cleaner. Use non-color mild soap with warm water clean spills(Mix 1:10 soap to water)
- Do not place furniture under direct sunlight, material will possibly fade over time.
- Do not jump or strike on the furniture.
- Do not write on furniture without a padded barrier to protect the surface.
- Not for commercial use, For residential use only.

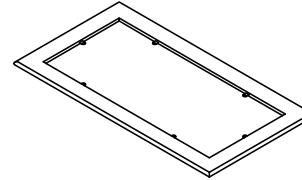


Weight Limitation

400LBS

PARTS LIST

A*1



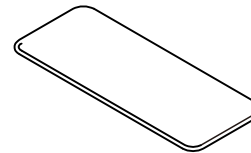
Tbaile Top

B*4



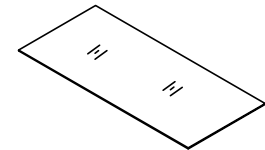
Tbaile Leg

C*1



Tbaile Tray

D*1



Glass

E*12



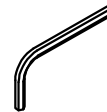
12mm screw

F*12



gasket

G*1



Allen Key

HARDWARE and TOOL LIST

E*12

M6*12mm



12mm screw

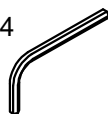
F*12



gasket

G*1

M4



Allen Key

SPARE

①*1

M6*12mm



12mm screw

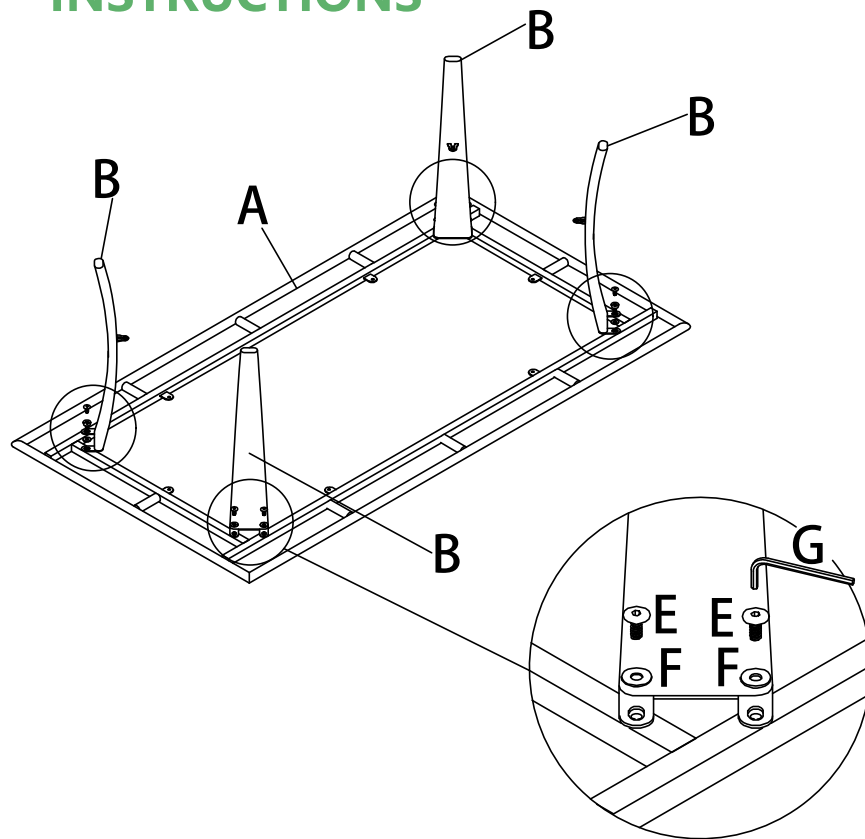
②*1



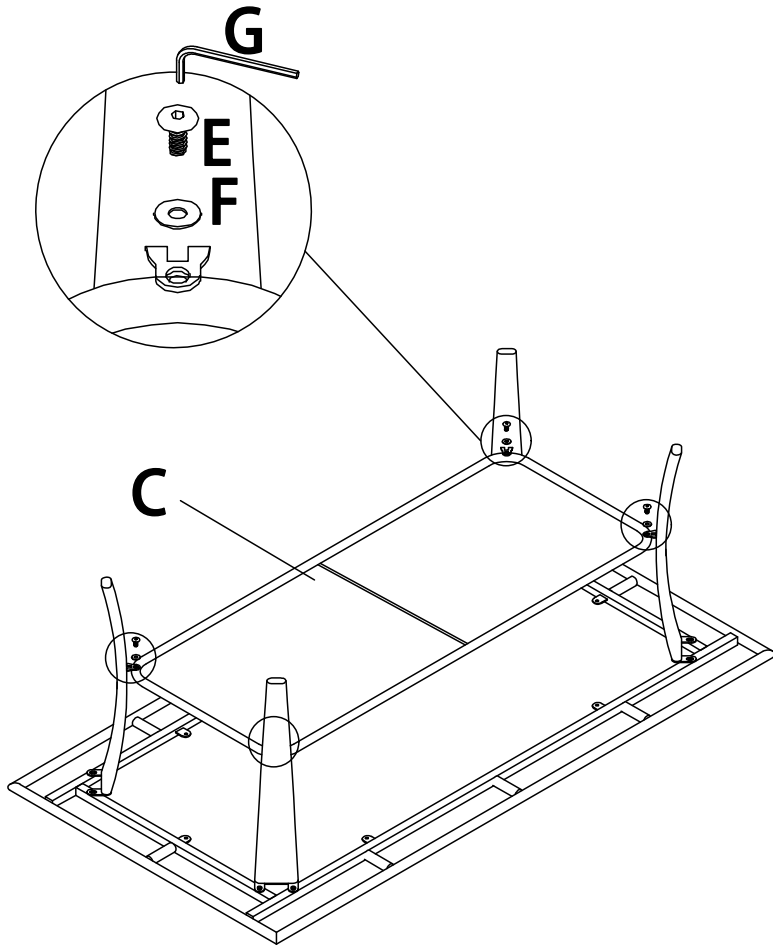
gasket

Be sure to check all packing material fitting the packing list. Be careful for small parts, which may have come loose inside the carton during shipment.

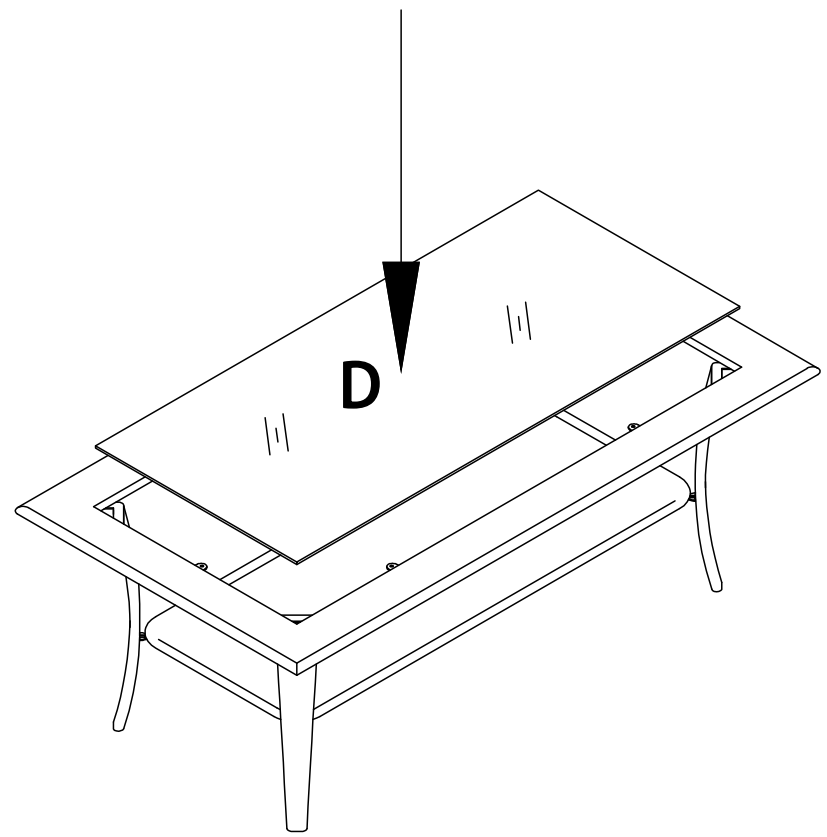
ASSEMBLY INSTRUCTIONS



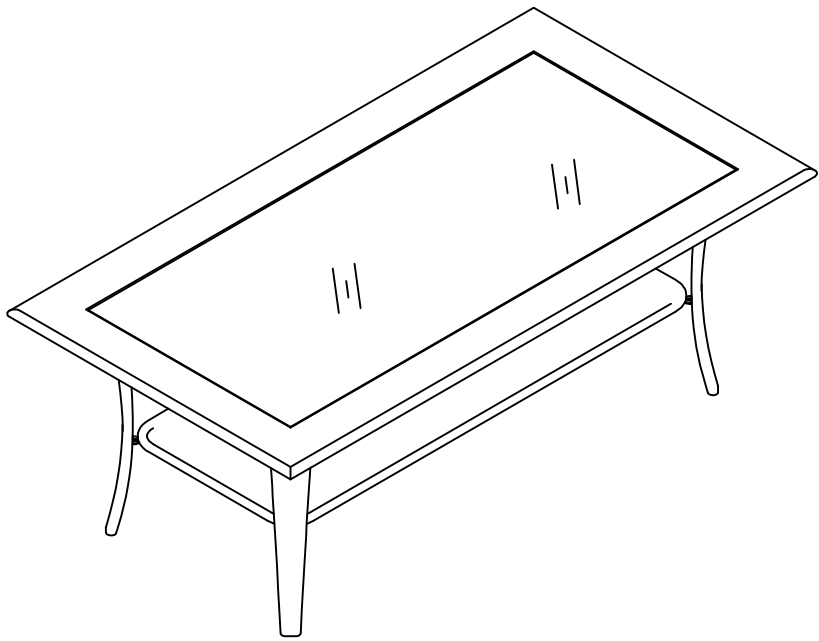
STEP 1: Place the bottom of the table top(A) up (the side with the assembly hole is the bottom) on a clean surface. Align the holes in the legs(B) of the table with the holes on the table top as shown in the picture, assemble the legs with the table top, and then tighten the screw with the allen key. Each corner of the table top has one leg, and there are four legs. If the table is not stable after assembly, you can loosen each screw one circle, put the four legs of the table on the plane, press the table and



STEP 2: Use a screw(C) to assemble the shelving board on the table leg as shown.



STEP 3: Place the tabletop glass(D) in the reserved place on the tabletop as shown.



STEP 4: :Assembly completed.